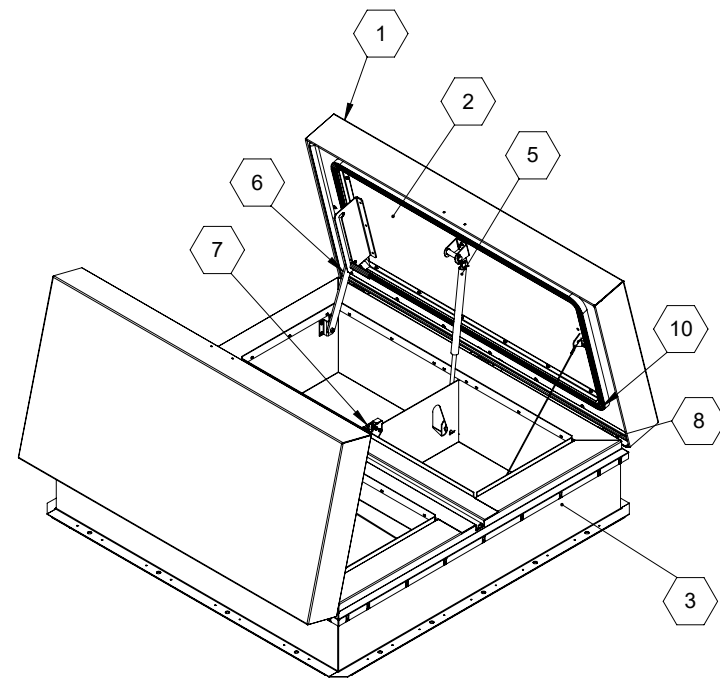
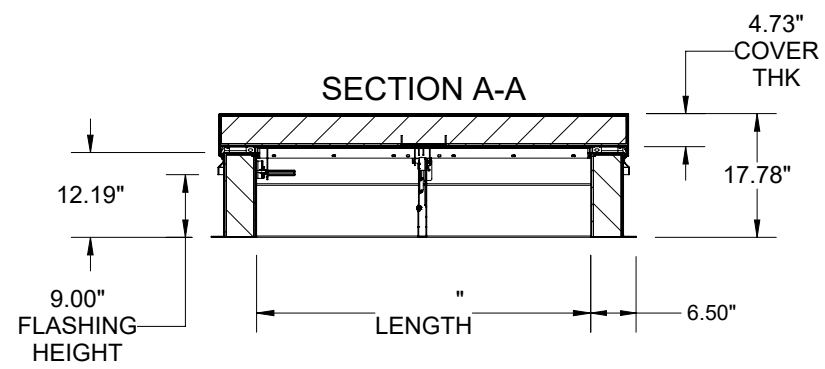


SECTION B-B



SPECIFICATIONS:

- ① **COVER:** 14 GAUGE GALVANNEAL COVER STIFFENED TO WITHSTAND A LIVE LOAD OF 40 PSF WITH A MAX DEFLECTION OF 1/150 OF THE SPAN
- ② **LINER:** 12 GAUGE GALVANNEAL
- ③ **CURB:** DBL WALL CURB, 12 GAUGE GALVANNEAL
- ④ **FINISH:** COVER - POWDER COAT, GRAY EXTERIOR, BLACK INTERIOR
CURB - POWDER COAT, BLACK
- ⑤ **GAS SPRING WITH DAMPER:** DESIGNED TO OPEN AGAINST A 10PSF SNOW LOAD IN NOT LESS THAN 2 SECONDS
- ⑥ **HOLD OPEN ARM:** LOCKS COVER IN FULLY OPEN POSITION - ZINC PLATED STEEL
- ⑦ **LATCH:** ZINC PLATED STEEL ROTARY LATCH ASSEMBLY DESIGNED TO HOLD COVERS CLOSED AGAINST 90 PSF WIND UPLIFT, ZINC PLATED STEEL LATCH STRIKERS ON COVERS

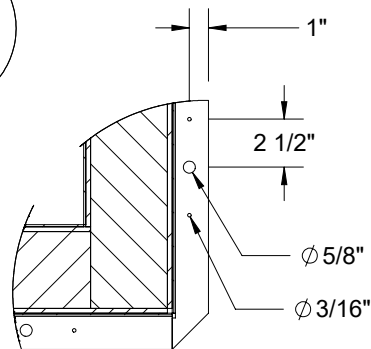
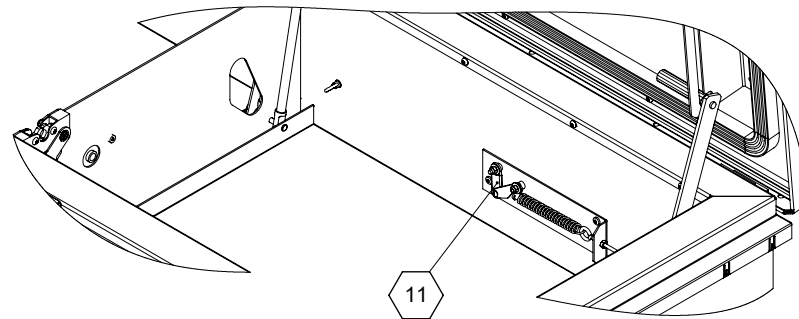
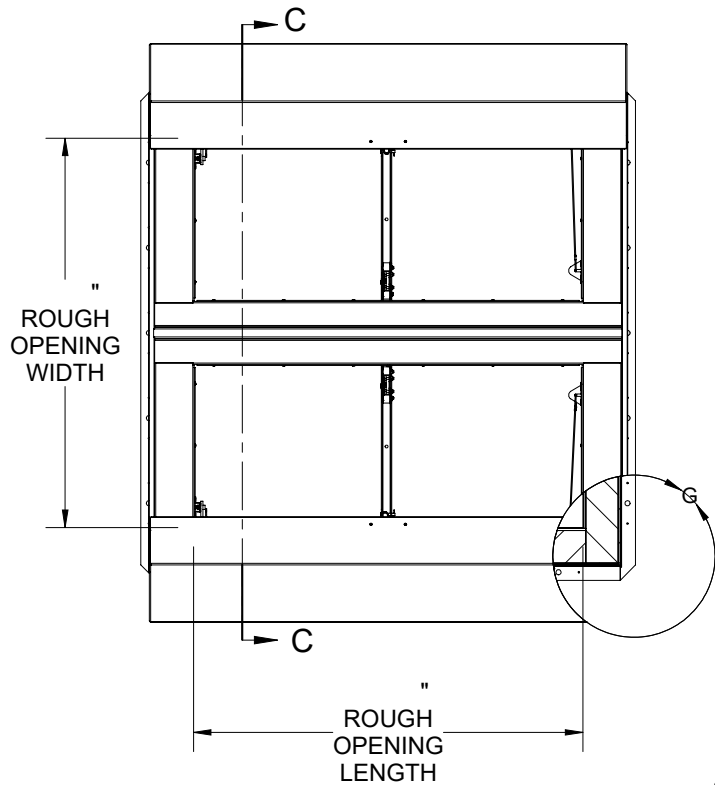
- ⑧ **HINGES:** 304 STAINLESS STEEL BUTT HINGE WITH 1/4" PIN
- ⑨ **INSULATION:** MINERAL WOOL W/ SOUND MAT, R-VALUE 16.8
- ⑩ **GASKETS:** ADHESIVE BACKED EPDM RUBBER EXTRUSION ON CURB AND COVER
- ⑪ **THERMAL RELEASE MECHANISM:** VENT COVERS OPEN THERMALLY BY HEAT AT FUSIBLE LINK TEMPERATURE
- ⑫ **MANUAL OPERATION:** VENT COVERS OPEN WITH INTERNAL AND EXTERNAL MANUAL PULL HANDLES, 1/16" DIA SST CABLE, CLOSE VENT AT ROOFTOP
- ⑬ **ELECTRICAL RELEASE/CONTROL:** NONE
- ⑭ **SOUND RATING:** STC50 PER ASTM E90, OITC 47 PER ASTM E1332

SMOKE VENT SIZE: "(WIDTH) x "(LENGTH)

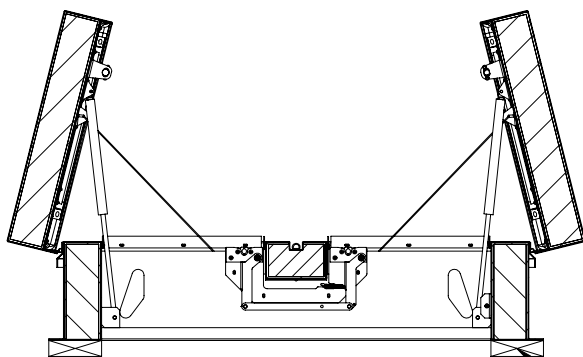


PROJECT:			
ARCHITECT:			
CONTRACTOR:			
QTY:			
PART#:			
		TITLE: Smoke Vent, Acoustical STC50,	
		Galvn Steel, Black Pwd, Gray Pwd Cvr Ext, Dbl Wall Curb,	
9300 73rd Avenue North Minneapolis, MN 55428			
NAME	DATE	SIZE	DWG. NO.
DRAWN		A	Nystrom SV SVZG_X_D2N_R ShpDr
RELEASED		WEIGHT: VARIES	SHEET 1 OF 2

PROPRIETARY AND CONFIDENTIAL: THE INFORMATION CONTAINED IN THIS DRAWING IS THE SOLE PROPERTY OF NYSTROM. ANY REPRODUCTION IN PART OR AS A WHOLE WITHOUT THE WRITTEN PERMISSION OF NYSTROM IS PROHIBITED. ©2020 NYSTROM, INC.



DETAIL G
SCALE 1 : 10



SECTION C-C

WOOD, CONCRETE, OTHER
MATERIAL FOR MOUNTING
BY OTHERS (NIC)

			TITLE: Smoke Vent, Acoustical STC50,		
9300 73rd Avenue North Minneapolis, MN 55428			Galvn Steel, Black Pwd, Gray Pwd Cvr Ext, Dbl Wall Curb,		
NAME	DATE	SIZE	DWG. NO.	REV	
DRAWN		A	Nystrom SV SVZG_X_D2N_R ShpDr	-	
RELEASED			WEIGHT: VARIES	SHEET 2 OF 2	