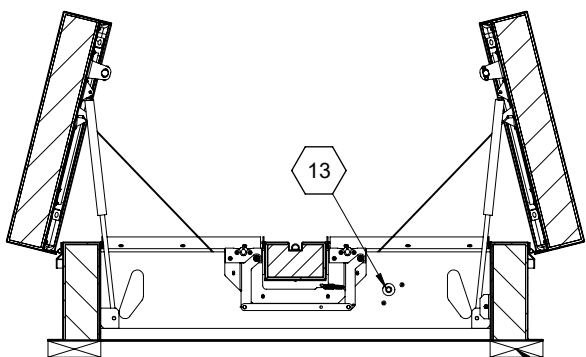


DETAIL G
SCALE 1 : 10



SECTION C-C

WOOD, CONCRETE, OTHER MATERIAL FOR MOUNTING BY OTHERS (NIC)

| | | | | | |
|---|------|----------------|--|--------------|--|
| | | | TITLE: Smoke Vent, Acoustical STC50, | | |
| 9300 73rd Avenue North Minneapolis, MN 55428 | | | Galvn Steel, Black Pwd, Gray Pwd Cvr Ext, Dbl Wall Curb, | | |
| NAME | DATE | SIZE | DWG. NO. | REV | |
| DRAWN | | A | Nystrom SV SVZG_X_D2L_R ShpDr | - | |
| RELEASED | | WEIGHT: VARIES | | SHEET 2 OF 2 | |