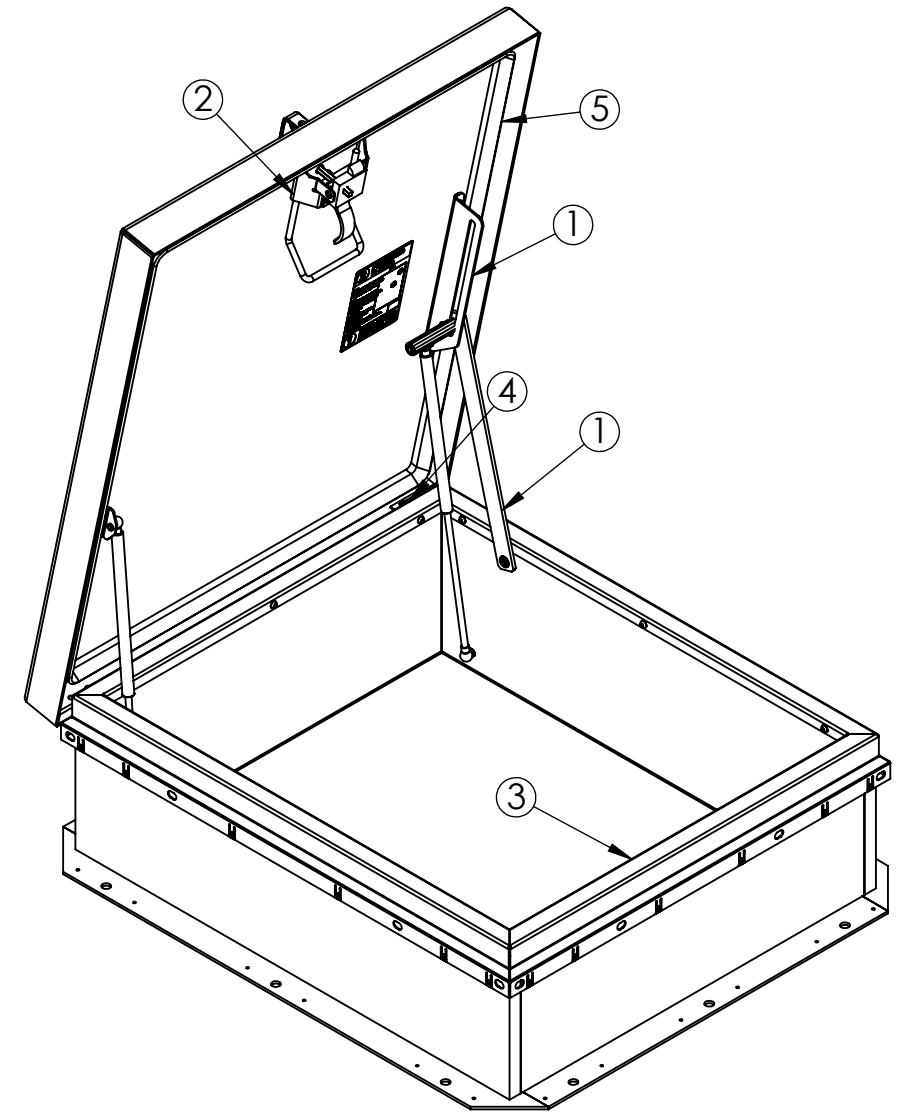
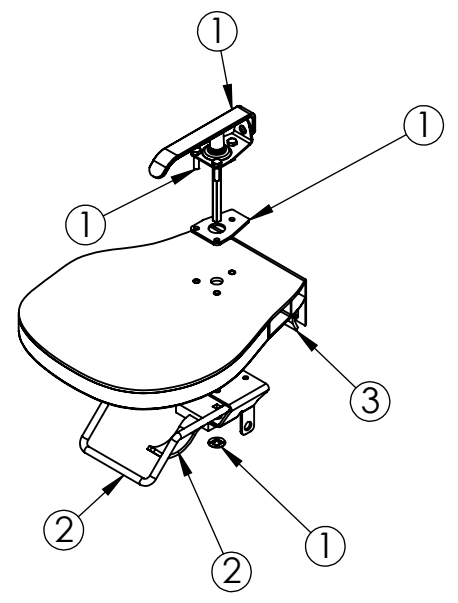
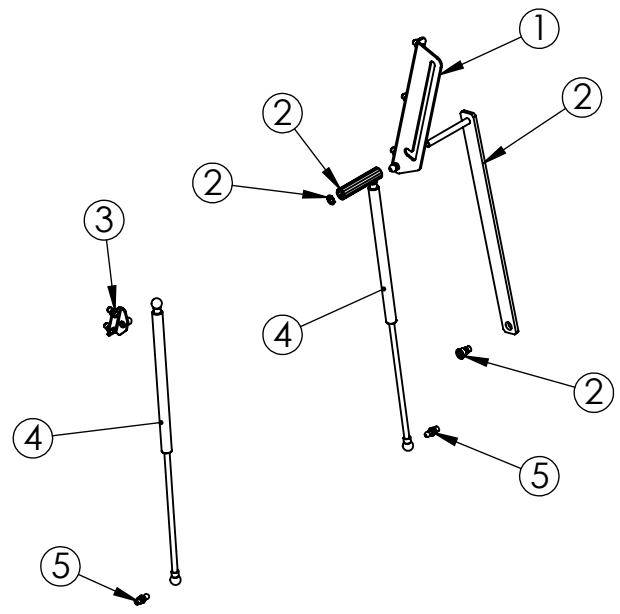


| SECURITY ROOF HATCH KITS |             |
|--------------------------|-------------|
| DETAIL                   | DESCRIPTION |
| ①                        | HOA/SPRING  |
| ②                        | COVER LATCH |
| ③                        | LATCH CATCH |
| ④                        | HINGE       |
| ⑤                        | GASKET      |

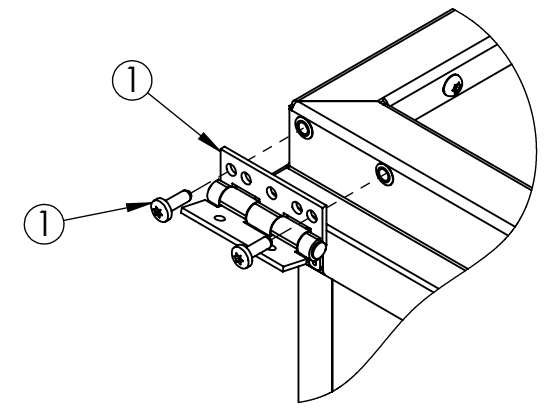
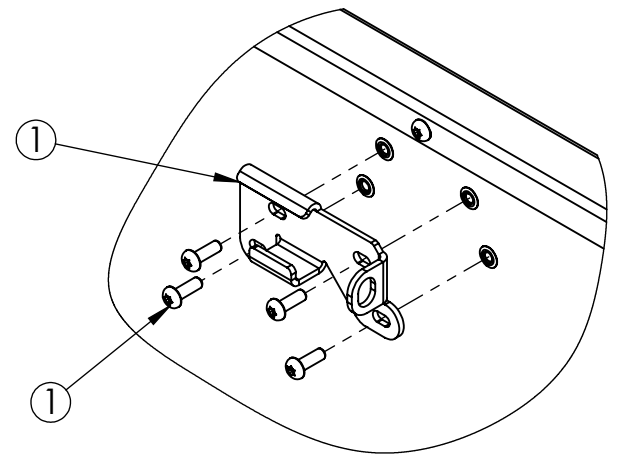


REPLACEMENT HOLD OPEN ARM/SPRING

| ITEM | REPLACEMENT KIT # | OEM PART # | DESCRIPTION                |
|------|-------------------|------------|----------------------------|
| ①    | RHKIT-HOACVR      | 29939      | PKG, HOA COVER BRACKET     |
| ②    | RHKIT-HOACURB     | 29938      | PKG, HOA AND CURB HARDWARE |
| ③    | RHKIT-SPRINGBRKT  | 29944      | PKG, SPRING COVER BRACKET  |
| ④    | RHKIT-SPRING-150  | 30268      | PKG, 150N SPRING           |
| ④    | RHKIT-SPRING-250  | 29880      | PKG, 250N SPRING           |
| ④    | RHKIT-SPRING-500  | 29881      | PKG, 500N SPRING           |
| ④    | RHKIT-SPRING-600  | 30269      | PKG, 600N SPRING           |
| ⑤    | RHKIT-SPRINGSTUD  | 29943      | PKG, BALL STUD FOR SPRING  |

REPLACEMENT COVER LATCH/GASKET

| ITEM | REPLACEMENT KIT # | OEM PART # | DESCRIPTION               |
|------|-------------------|------------|---------------------------|
| ①    | RHKIT-EXTHDL      | 29937      | PKG, EXTERIOR TURN HANDLE |
| ②    | RHKIT-INTHDL      | 30413      | PKG, INTERIOR TURN HANDLE |
| ③    | RHKIT-GASKET      | 6650       | 10 FT, GASKET             |



REPLACEMENT SINGLE POINT LATCH CATCH

| ITEM | REPLACEMENT KIT # | OEM PART # | DESCRIPTION      |
|------|-------------------|------------|------------------|
| ①    | RHKIT-CATCH       | 30448      | PKG, LATCH CATCH |

REPLACEMENT HINGE

| ITEM | REPLACEMENT KIT # | OEM PART # | DESCRIPTION                 |
|------|-------------------|------------|-----------------------------|
| ①    | RHSHIT-HINGE      | 31893      | PKG, HINGE, SECURITY SERIES |



9300 73rd Avenue North  
Minneapolis, MN 55428

TITLE: ROOF HATCH SECURITY SERIES REPLACEMENT COMPONENTS

|          |              |          |               |     |
|----------|--------------|----------|---------------|-----|
| NAME     | DATE         | SIZE     | DWG. NO.      | REV |
| DRAWN    |              | <b>B</b> | <b>RHSHIT</b> |     |
| RELEASED | DWO 5/9/2023 | WEIGHT:  | SHEET 1 OF 2  |     |

PROPRIETARY AND CONFIDENTIAL: THE INFORMATION CONTAINED IN THIS DRAWING IS THE SOLE PROPERTY OF NYSTROM. ANY REPRODUCTION IN PART OR AS A WHOLE WITHOUT THE WRITTEN PERMISSION OF NYSTROM IS PROHIBITED. ©2020 NYSTROM, INC.

8

7

6

5

4

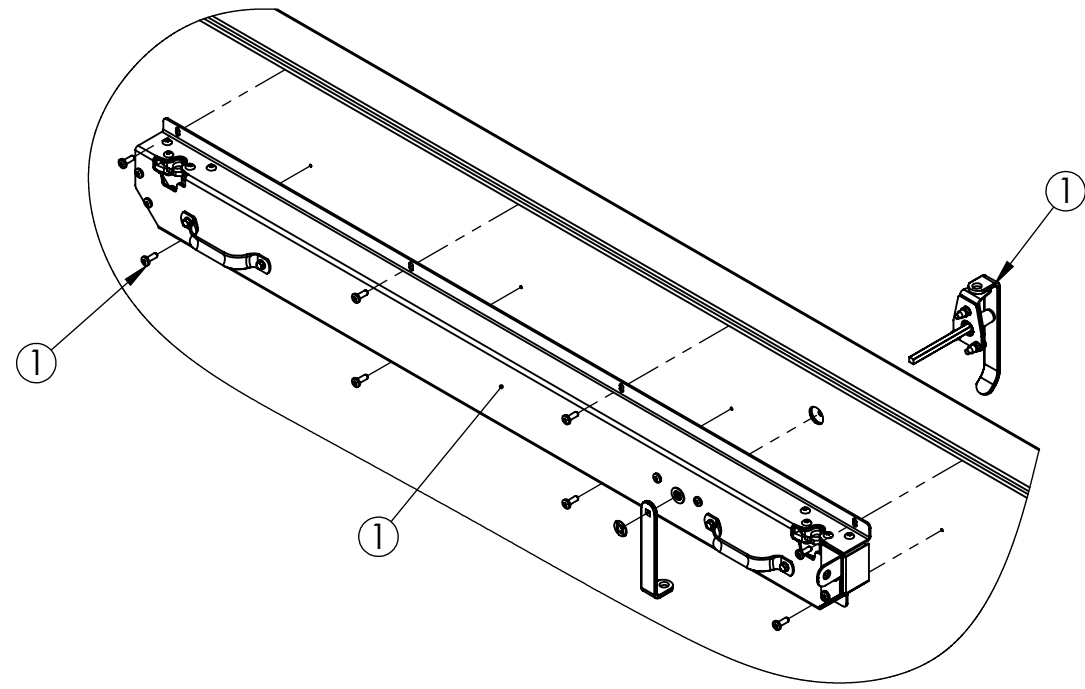
3

2

1

| SECURITY ROOF HATCH KITS |             |
|--------------------------|-------------|
| DETAIL                   | DESCRIPTION |
| ①                        | COVER LATCH |
| ②                        | LATCH CATCH |

D

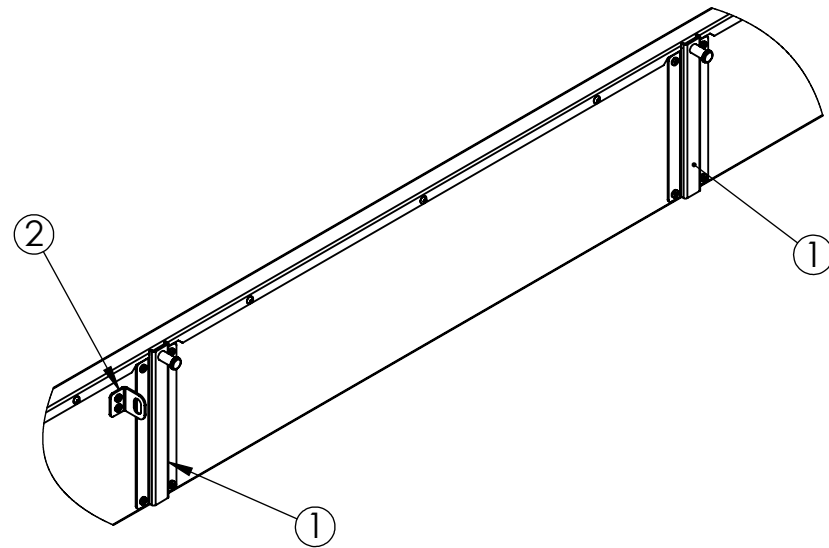


C

REPLACEMENT TWO POINT LATCH

| ITEM | REPLACEMENT KIT # | OEM PART #   | DESCRIPTION         |
|------|-------------------|--------------|---------------------|
| ①    | RHKIT-2PTLATCH    | 31891, 31887 | PKG, 2-PT LATCH, RH |
| ①    | RHKIT-2PTLATCH-LH | 31892, 31887 | PKG, 2-PT LATCH, LH |

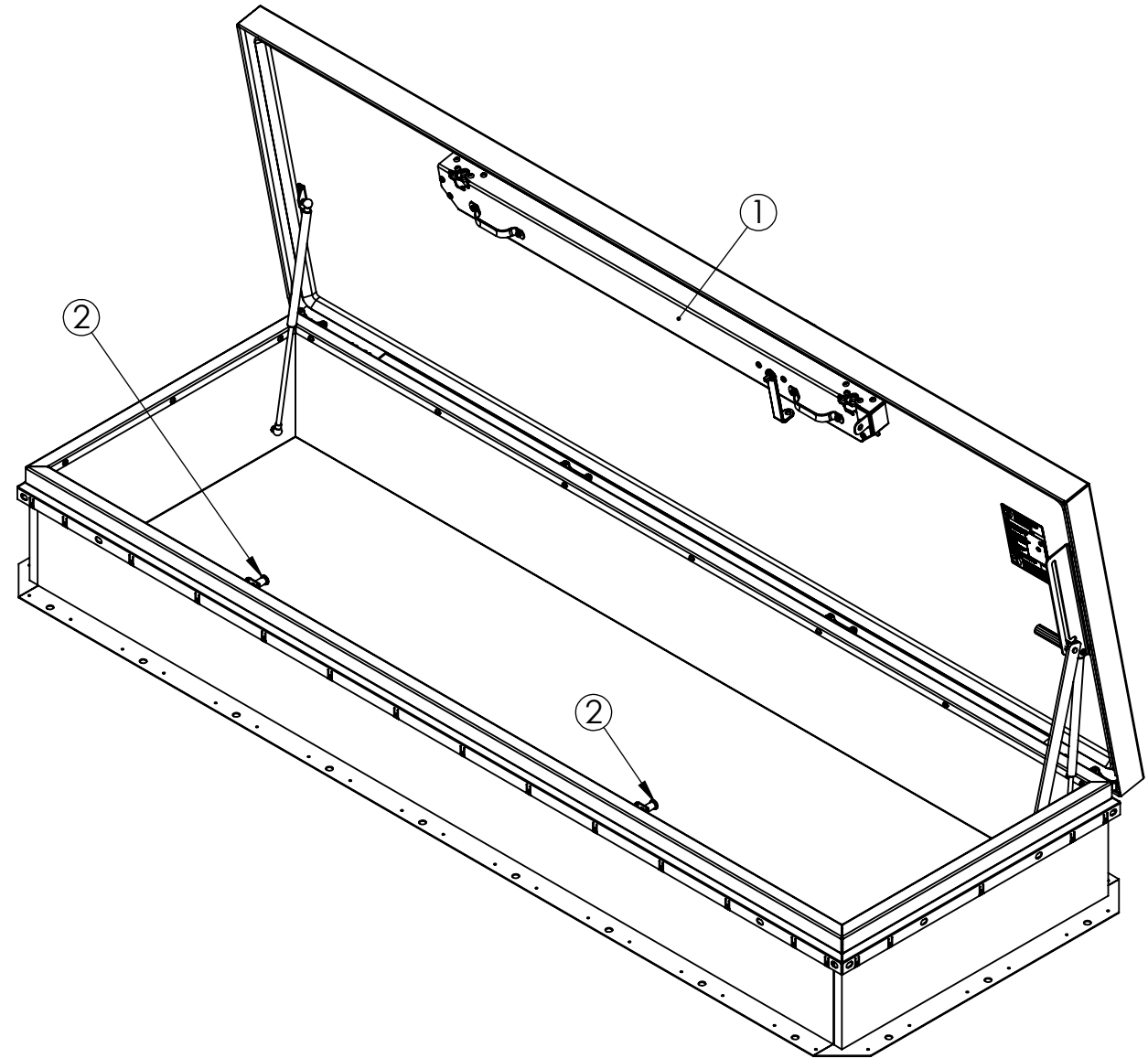
B



REPLACEMENT TWO POINT LATCH CATCH

| ITEM | REPLACEMENT KIT # | OEM PART # | DESCRIPTION                  |
|------|-------------------|------------|------------------------------|
| ①    | RHKIT-2PCATCH     | 28904      | PKG, TWO POINT LATCH CATCHES |
| ②    | RHKIT-HASP        | 29675      | PKG, PADLOCK HASP            |

A



D

C

B

A



9300 73rd Avenue North  
Minneapolis, MN 55428

TITLE:  
ROOF HATCH  
SECURITY SERIES  
REPLACEMENT COMPONENTS

| DRAWN    | NAME | DATE     | SIZE | DWG. NO. | REV |
|----------|------|----------|------|----------|-----|
| RELEASED | DWO  | 5/9/2023 | B    | RHSKIT   |     |

WEIGHT: Weight SHEET 2 OF 2

PROPRIETARY AND CONFIDENTIAL: THE INFORMATION CONTAINED IN THIS DRAWING IS THE SOLE PROPERTY OF NYSTROM. ANY REPRODUCTION IN PART OR AS A WHOLE WITHOUT THE WRITTEN PERMISSION OF NYSTROM IS PROHIBITED. ©2020 NYSTROM, INC.

8

7

6

5

4

3

2

1