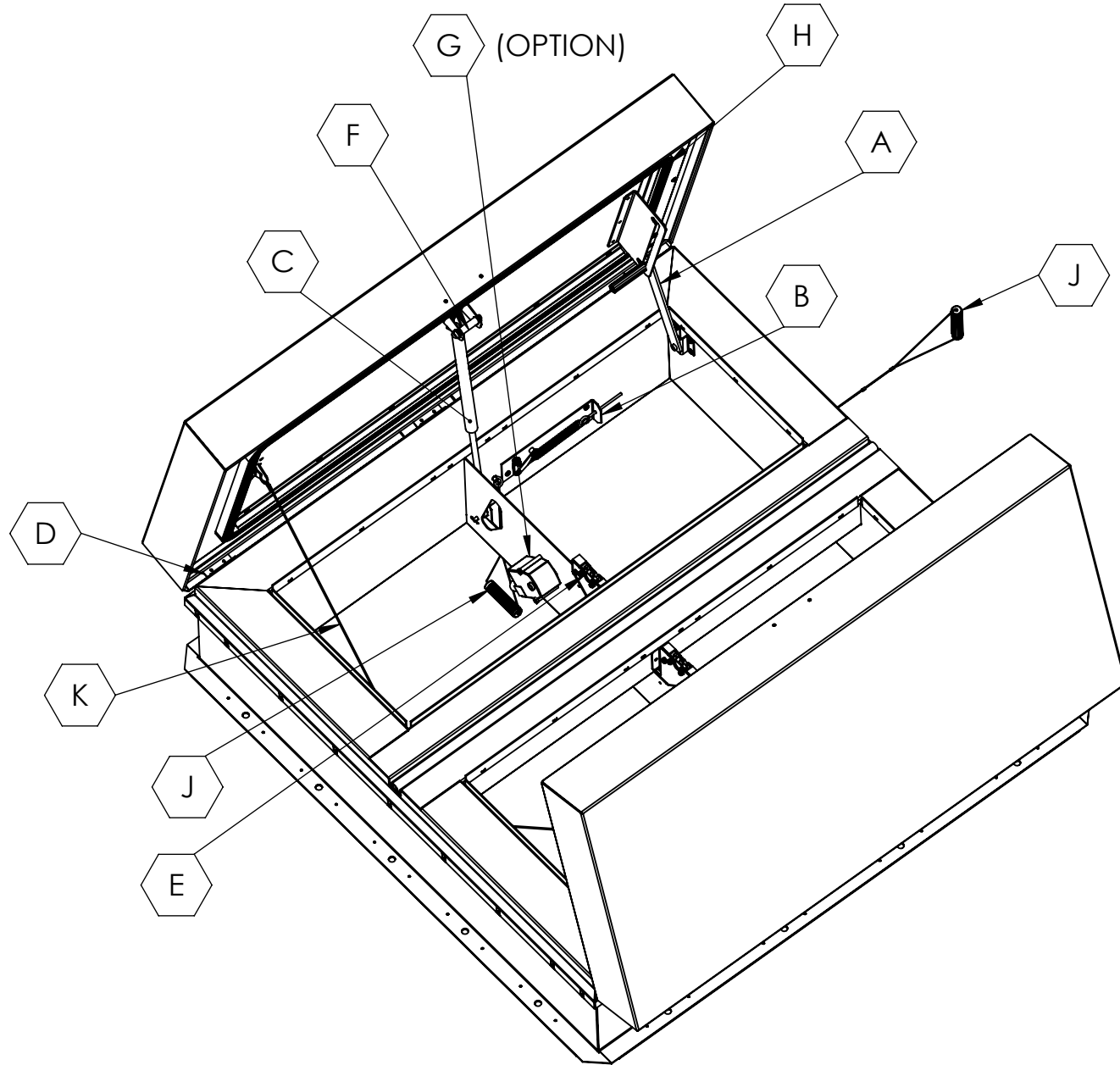



DETAIL	SHEET	DESCRIPTION
A	2	HOA
B	3	THERMAL RELEASE
C	4	GAS SPRING
D	5	HINGE
E	6	ROTARY LATCH
F	7	LATCH PIN
G	8	ELECTRICAL RELEASE
H	9	GASKET
J	10	MANUAL PULLS
K	11	CHECK STRAP
	12	TOUCH UP PAINT
	13	MANUAL WINCH
	14	RIGGING



### SV-KIT-RETRO-STC

 9300 73rd Avenue North Minneapolis, MN 55428		TITLE: Smoke Vent, Acoustical STC50, 48x48, Dbl Dr, Galvn Steel, Black Pwd, Gray Pwd Cvr Ext, Dbl Wall Curb,		
		NAME DATE	SIZE DWG. NO.	REV
DRAWN RELEASED	SGS BES	2/27/23 2/27/23	B SV-KIT-RETRO-STC	-
		WEIGHT: Weight	SHEET 1 OF 14	

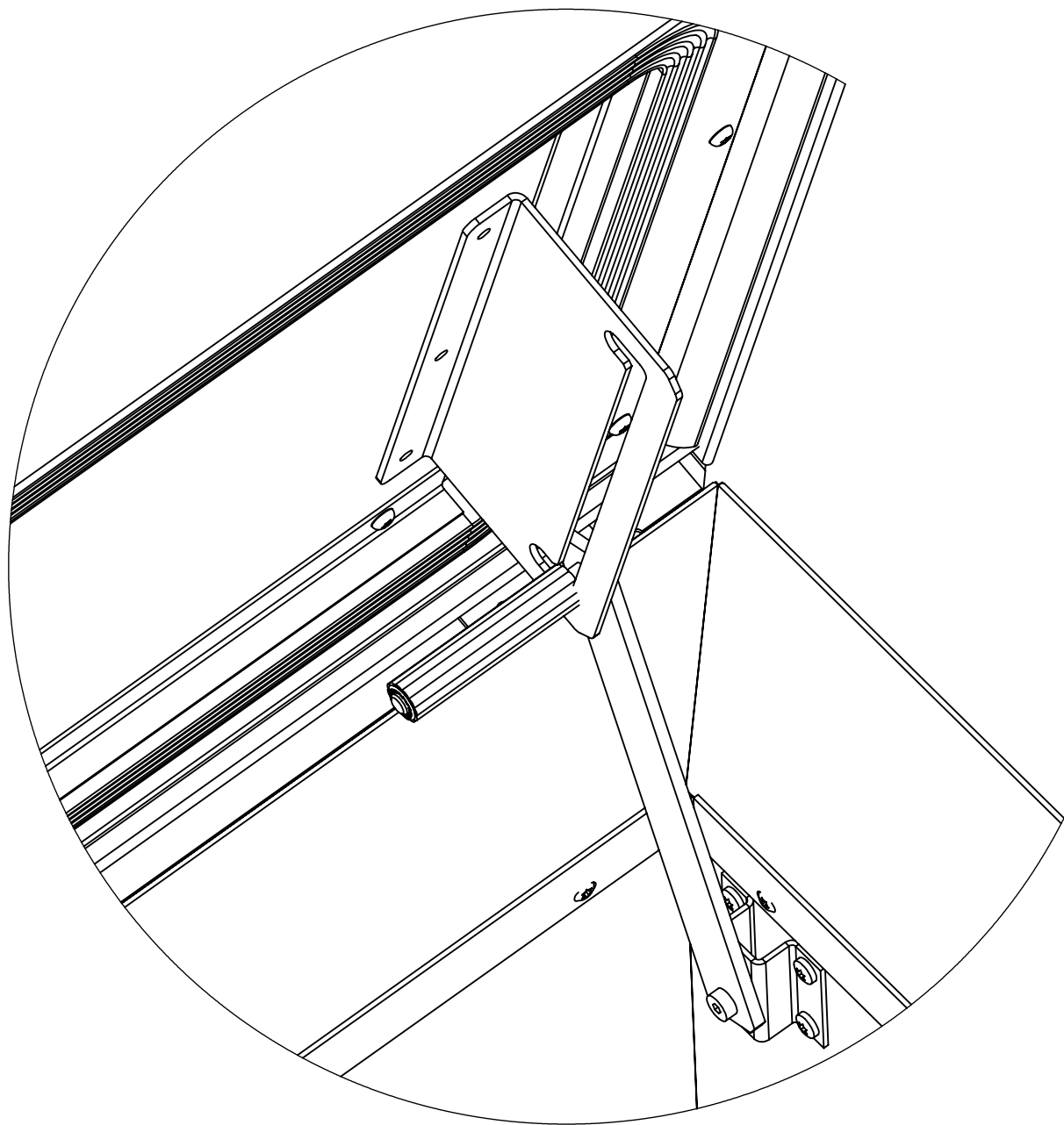
8	7	6	5	4	3	2	1
REPLACEMENT PART NUMBER	DESCRIPTION						
SV-KIT-HOA-STC	PKG, HOA, ACOUSTICAL, RED HANDLE, ALUM						

D

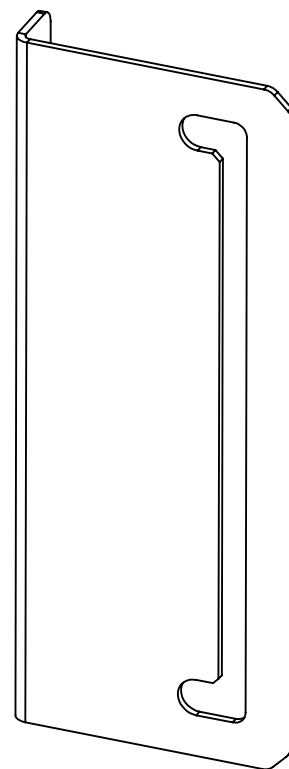
C

B

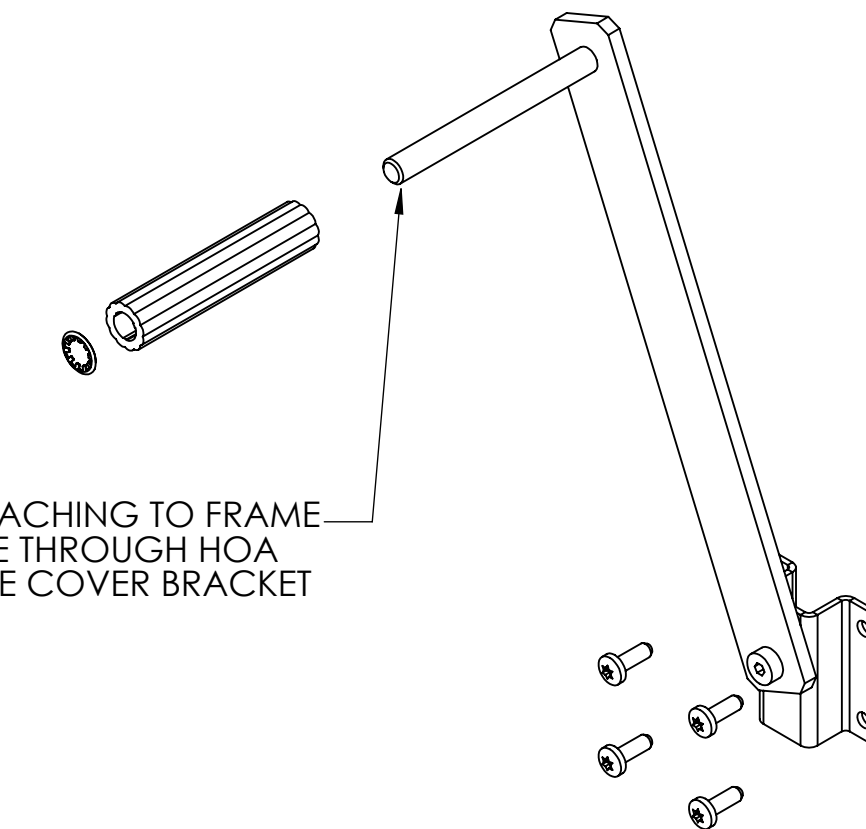
A



FACTORY INSTALLED VIEW



BEFORE ATTACHING TO FRAME  
PUT HANDLE THROUGH HOA  
SLOT ON THE COVER BRACKET



REPLACEMENT PART VIEW

**REPLACEMENT HOA**

9300 73rd Avenue North  
Minneapolis, MN 55428

TITLE:		Smoke Vent, Acoustical STC50, 48x48, Dbl Dr, Galvn Steel, Black Pwd, Gray Pwd Cvr Ext, Dbl Wall Curb,		
NAME	DATE	SIZE	DWG. NO.	REV
DRAWN	SGS	2/27/23	<b>B</b>	SV-KIT-RETRO-STC
RELEASED	BES	2/27/23	WEIGHT: Weight	SHEET 2 OF 14

8

7

6

5

4

3

2

1

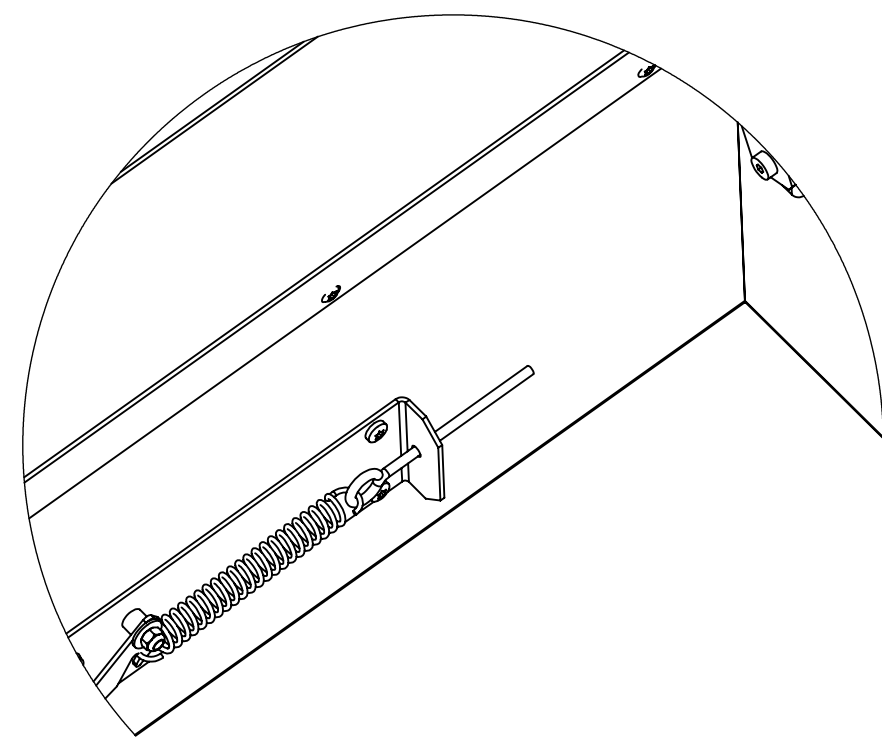
D

C

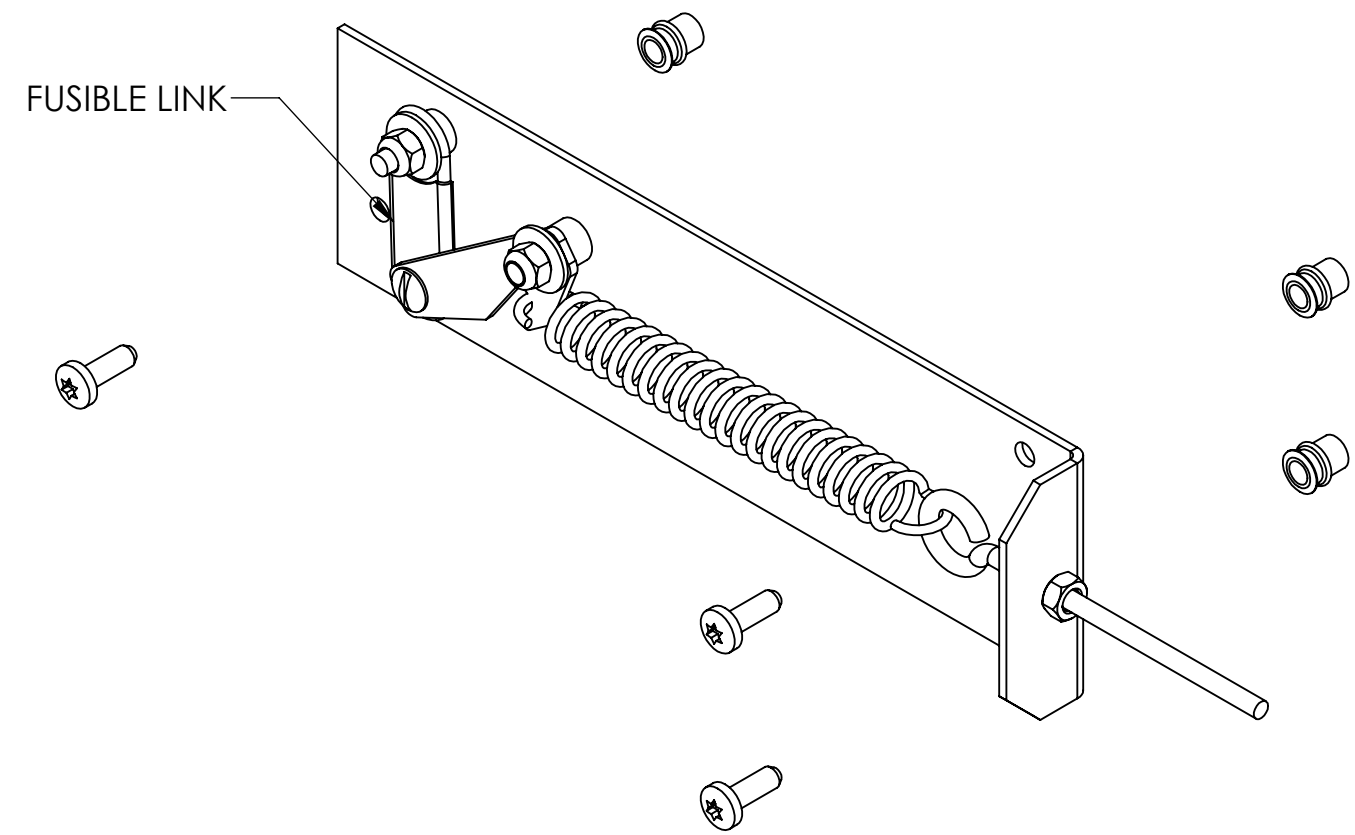
B

A

REPLACEMENT PART NUMBER	DESCRIPTION
SV-KIT-THERMAL-ALUM	PKG, ASSY, AUTO LATCH MECH, 165 ALUM
SV-KIT-THERMAL-STEEL	PKG, ASSY, AUTO LATCH MECH, 165 STEEL
SV-KIT-LINK-165	LINK, FUSIBLE, 165F RATING
SV-KIT-LINK-212	LINK, FUSIBLE, 212F RATING
SV-KIT-LINK-280	LINK, FUSIBLE, 280F RATING
SV-KIT-LINK-350	LINK, FUSIBLE, 350F RATING
SV-KIT-LINK-360	LINK, FUSIBLE, 360F RATING
SV-KIT-LINK-370	LINK, FUSIBLE, 370F RATING
SV-KIT-LINK-386	LINK, FUSIBLE, 386F RATING
SV-KIT-LINK-450	LINK, FUSIBLE, 450F RATING



FACTORY INSTALLED VIEW



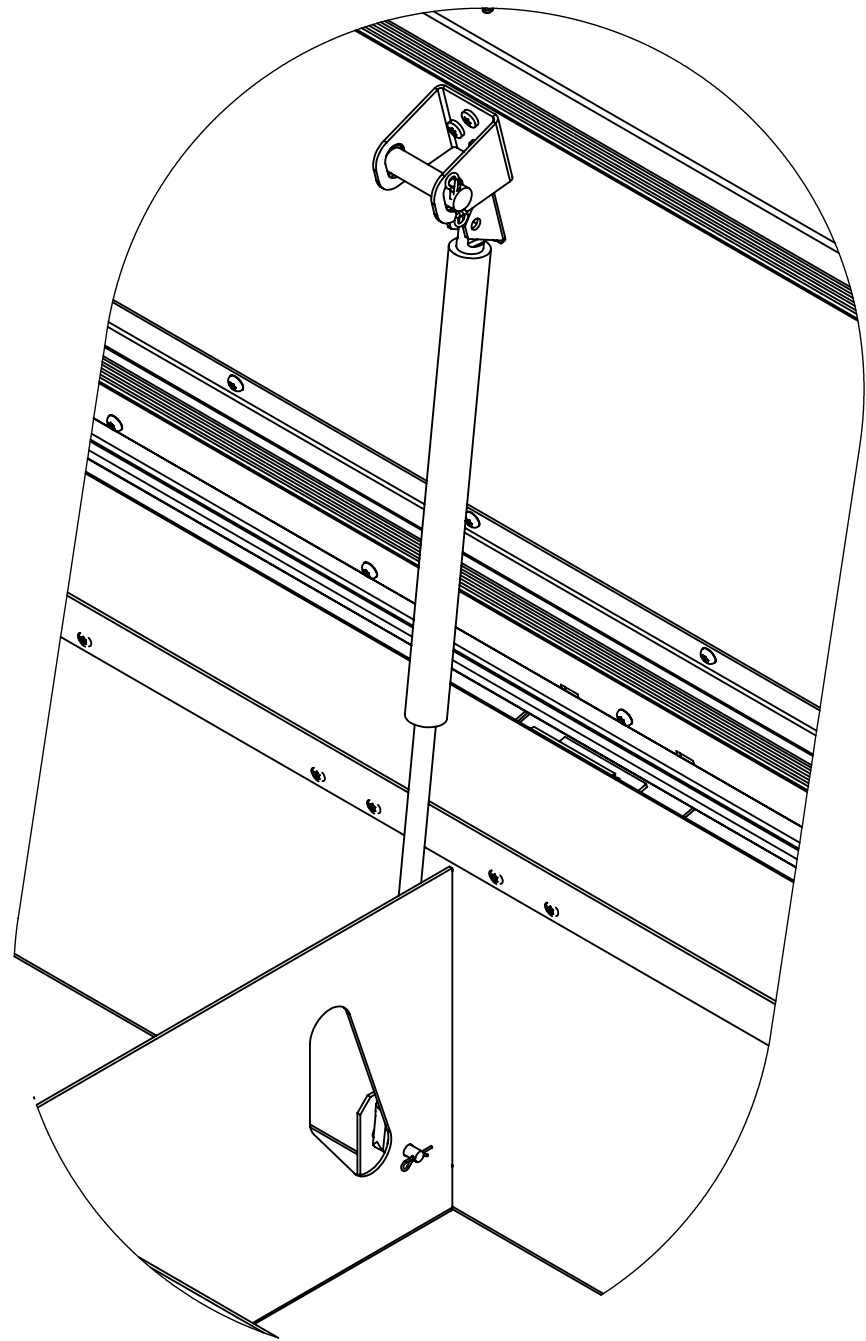
REPLACEMENT PART VIEW  
(SV-KIT-THERMAL-ALUM)

**REPLACEMENT THERMAL RELEASE**

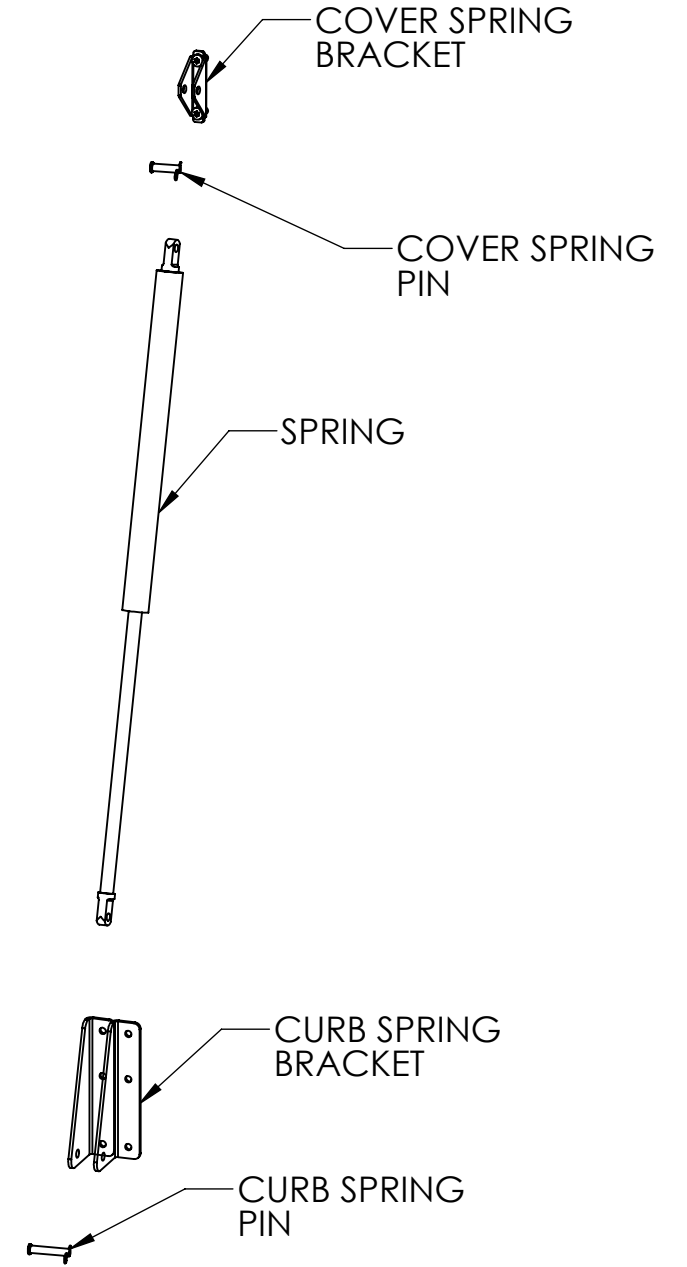
			TITLE: Smoke Vent, Acoustical STC50, 48x48, Dbl Dr, Galvn Steel, Black Pwd, Gray Pwd Cvr Ext, Dbl Wall Curb,		
9300 73rd Avenue North Minneapolis, MN 55428			SIZE	DWG. NO.	REV
DRAWN	SGS	2/27/23	B	SV-KIT-RETRO-STC	-
RELEASED	BES	2/27/23			
			WEIGHT: Weight		SHEET 3 OF 14

8	7	6	5	4	3	2	1
REPLACEMENT PART NUMBER	DESCRIPTION						
SV-KIT-SPRING-894	SPRING/DAMPER, GAS, COVER/CURB BRKTS, P1=894N						
SV-KIT-SPRING-1460	SPRING/DAMPER, GAS, COVER/CURB BRKTS, P1=1460N						
SV-KIT-CVRBRKT	SPRING COVER BRACKET						
SV-KIT-CURBBRKT-SVY	SPRING CURB BRACKET, SVY SERIES						
SV-KIT-CURBBRKT-SVZ	SPRING CURB BRACKET, SVZ SERIES						
SV-KIT-SPRINGPIN-125	SPRING PIN PKG, 1.25" LG						
SV-KIT-SPRINGPIN-175	SPRING PIN PKG, 1.75" LG						
SV-KIT-SPRINGPIN-300	SPRING PIN PKG, 3.00" LG						

\*CONSULT MANUFACTURER FOR THE TYPE AND QUANTITY OF SPRINGS BASED ON THE SIZE OF SMOKE VENT



FACTORY INSTALLED VIEW

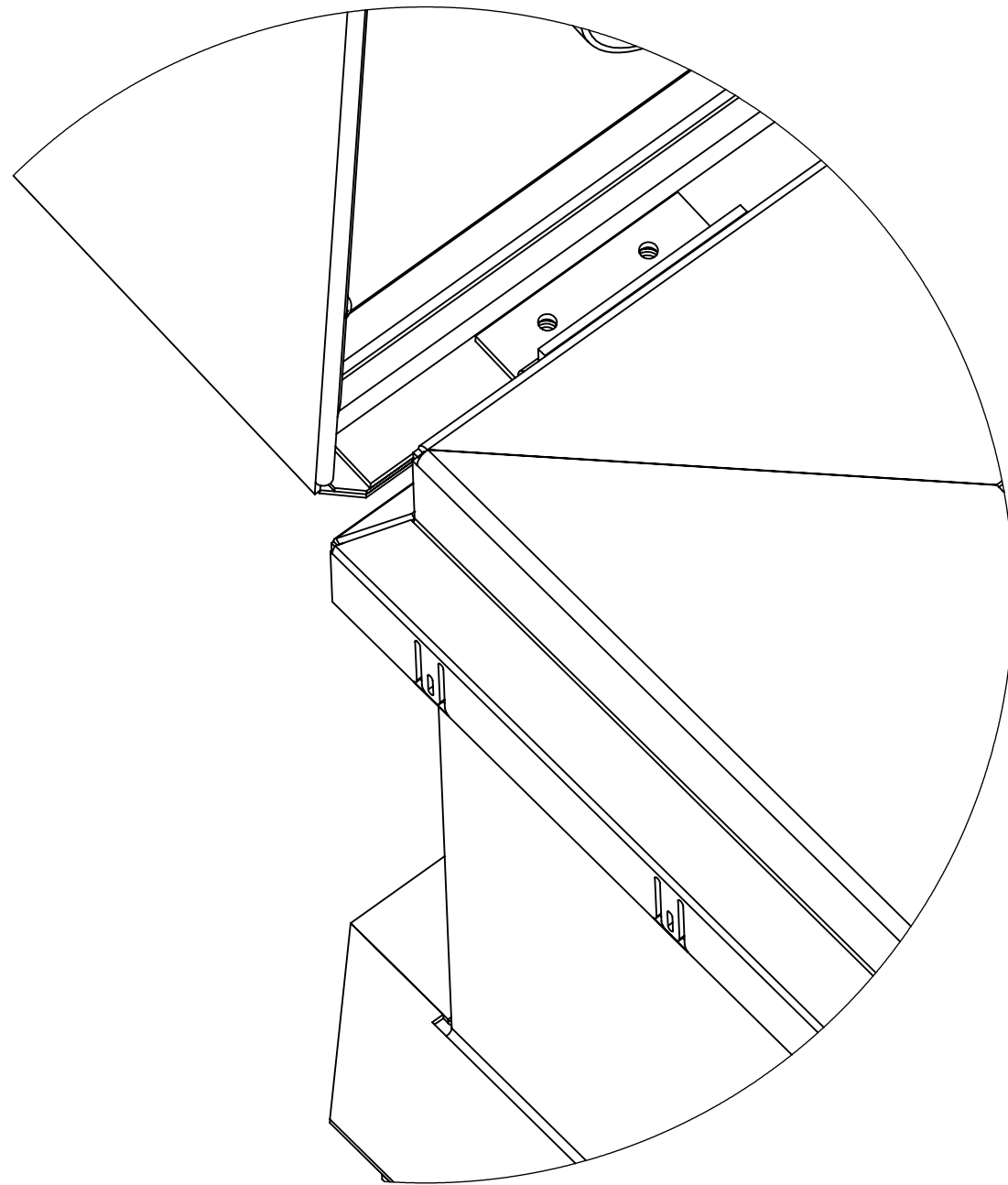


REPLACEMENT PART VIEW

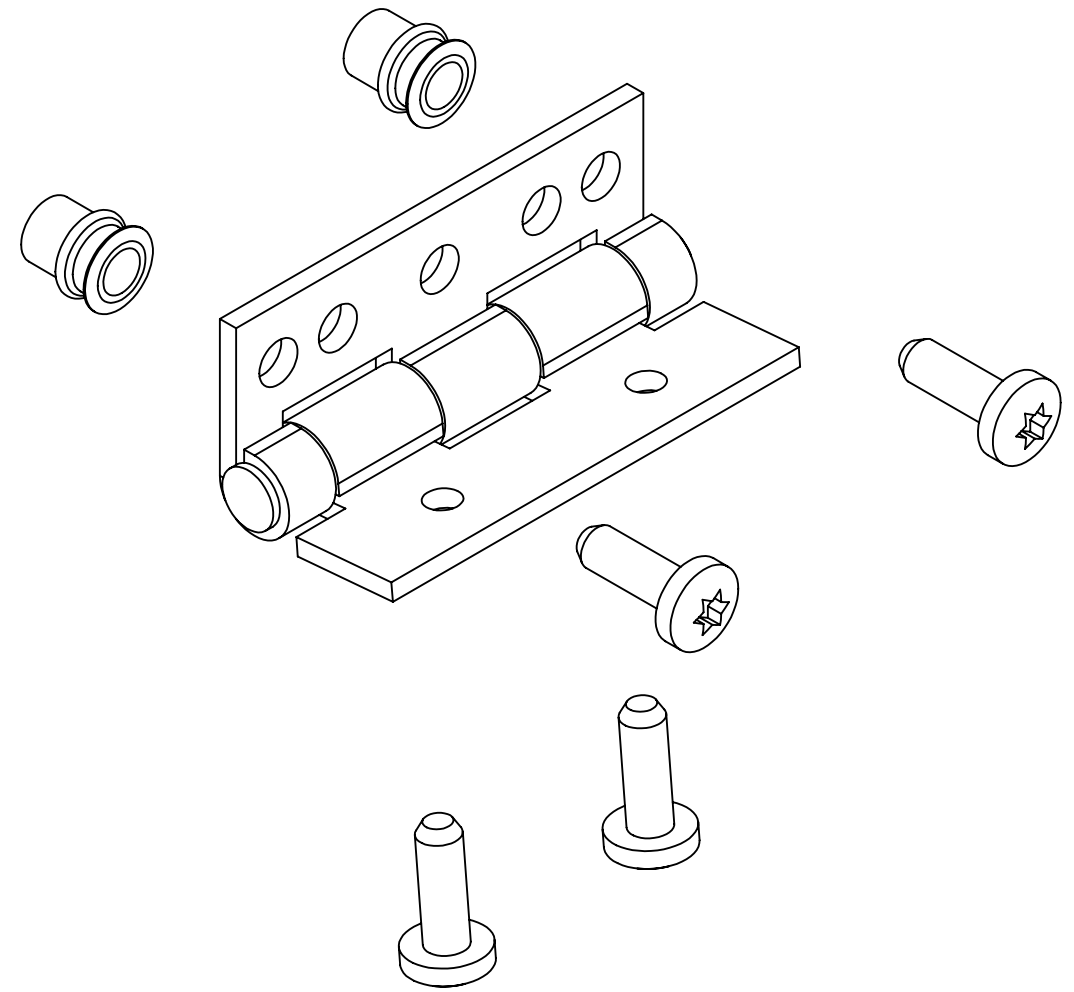
**REPLACEMENT SPRING**

		TITLE: Smoke Vent, Acoustical STC50, 48x48, Dbl Dr, Galvn Steel, Black Pwd, Gray Pwd Cvr Ext, Dbl Wall Curb,		
		9300 73rd Avenue North Minneapolis, MN 55428	NAME: SGS DATE: 2/27/23	SIZE: B DWG. NO.: SV-KIT-RETRO-STC
DRAWN: SGS RELEASED: BES	DATE: 2/27/23	WEIGHT: Weight	SHEET 4 OF 14	

REPLACEMENT PART NUMBER	DESCRIPTION
SV-KIT-HINGE-STC	PKG, HINGE ASSY, STC SMOKE VENT




FACTORY INSTALLED VIEW

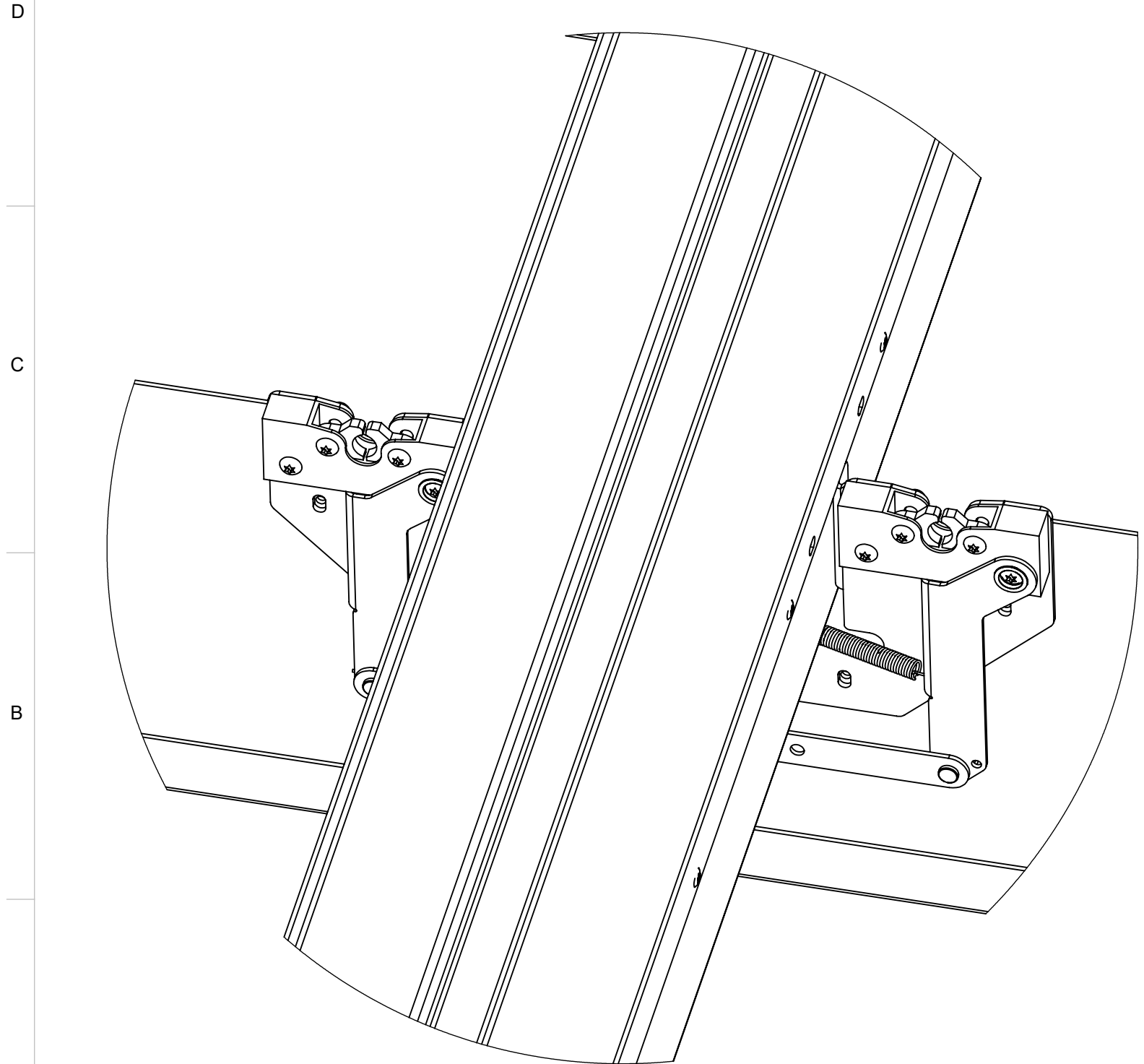


REPLACEMENT PART VIEW

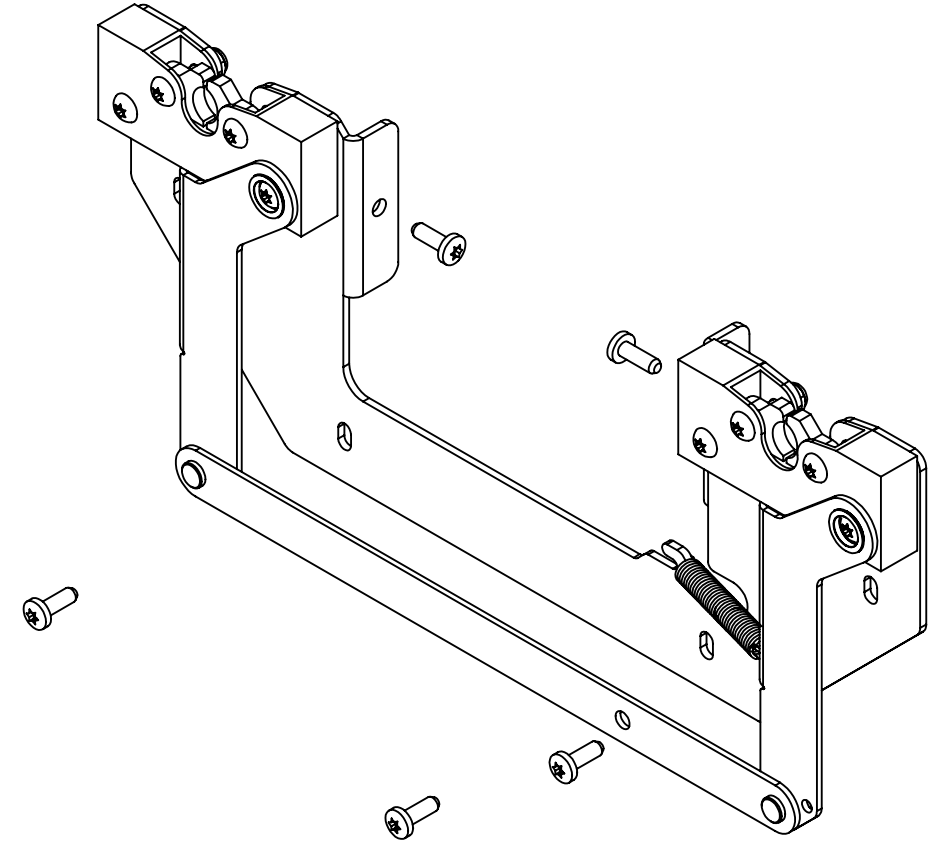
**REPLACEMENT HINGE**

 9300 73rd Avenue North Minneapolis, MN 55428		TITLE: Smoke Vent, Acoustical STC50, 48x48, Dbl Dr, Galvn Steel, Black Pwd, Gray Pwd Cvr Ext, Dbl Wall Curb,			
		NAME	DATE	SIZE	DWG. NO.
DRAWN	SGS	2/27/23	<b>B</b> SV-KIT-RETRO-STC		-
RELEASED	BES	2/27/23	WEIGHT: Weight		SHEET 5 OF 14

8	7	6	5	4	3	2	1
REPLACEMENT PART VIEW		DESCRIPTION					
SV-KIT-ROTARYLATCH-D		PKG, LATCH, ROTARY, DBL, STC					




FACTORY INSTALLED VIEW



REPLACEMENT PART VIEW

**REPLACEMENT LATCH**

			TITLE: Smoke Vent, Acoustical STC50, 48x48, Dbl Dr, Galvn Steel, Black Pwd, Gray Pwd Cvr Ext, Dbl Wall Curb,		
9300 73rd Avenue North Minneapolis, MN 55428			SIZE	DWG. NO.	REV
DRAWN	SGS	2/27/23	B	SV-KIT-RETRO-STC	-
RELEASED	BES	2/27/23			
			WEIGHT: Weight		SHEET 6 OF 14

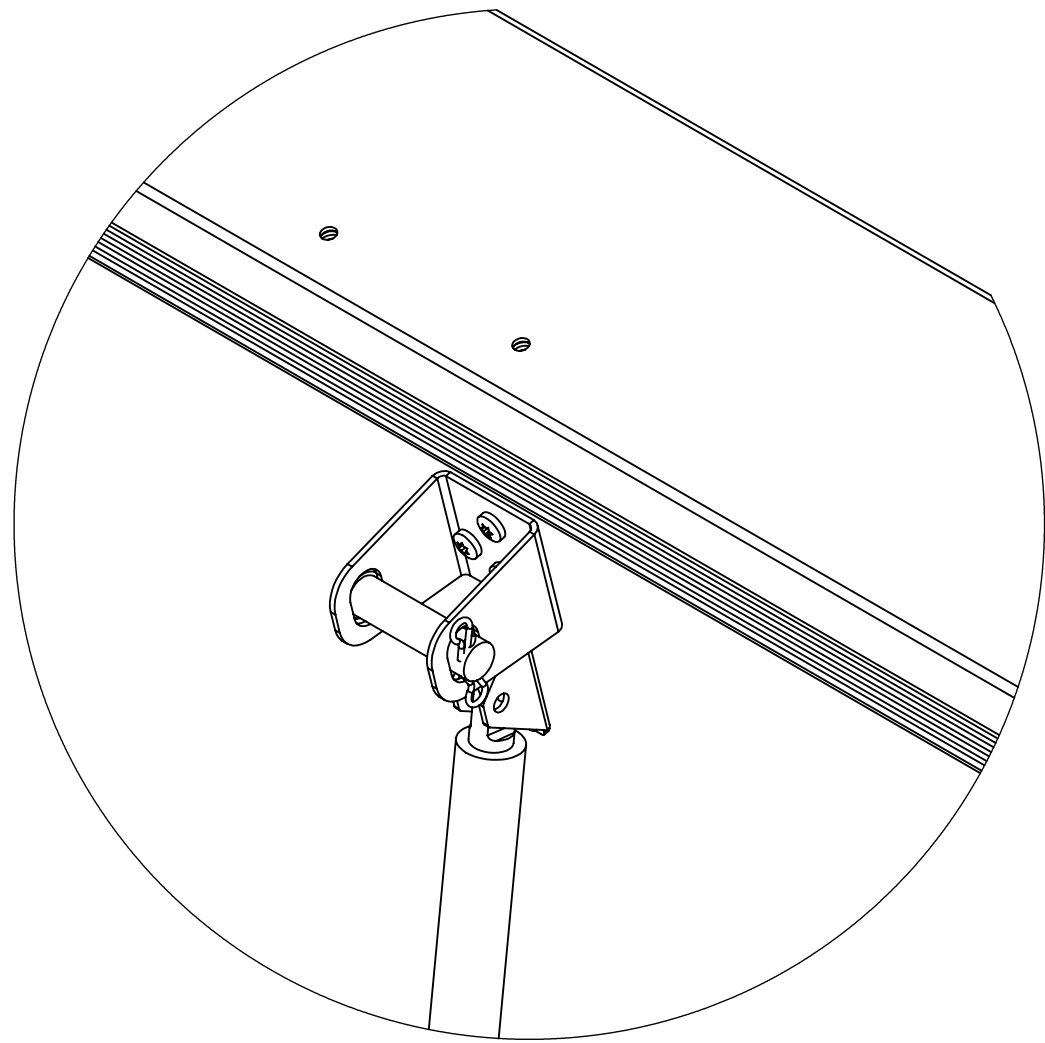
8	7	6	5	4	3	2	1
REPLACEMENT PART NUMBER	DESCRIPTION						
SV-KIT-LATCHPIN	PKG, ASSY, LATCH PIN						

D

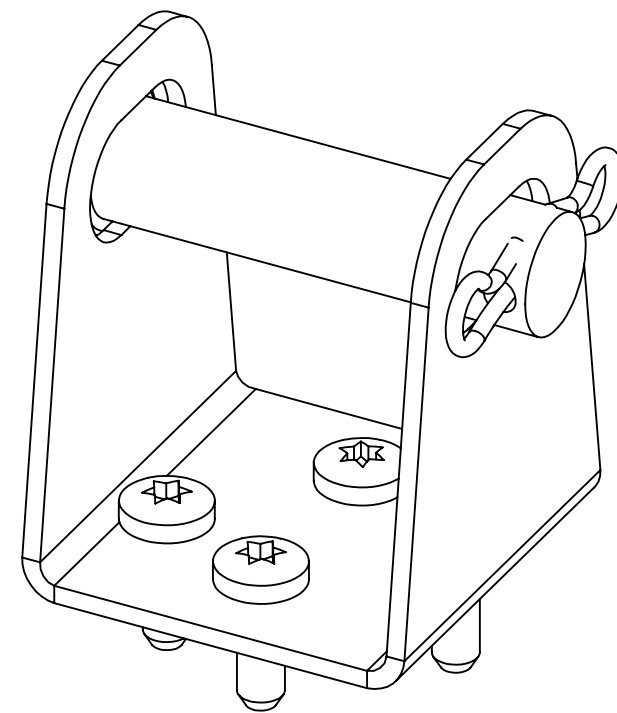
C

B

A



FACTORY INSTALLED VIEW



REPLACEMENT PART VIEW

### REPLACEMENT LATCH PIN



9300 73rd Avenue North  
Minneapolis, MN 55428

TITLE:  
Smoke Vent, Acoustical STC50,  
48x48, Dbl Dr,  
Galvn Steel, Black Pwd, Gray Pwd Cvr Ext, Dbl  
Wall Curb,

	NAME	DATE	SIZE	DWG. NO.	REV
DRAWN	SGS	2/27/23	B	SV-KIT-RETRO-STC	-
RELEASED	BES	2/27/23			
			WEIGHT: Weight		SHEET 7 OF 14

8

7

6

5

4

3

2

1

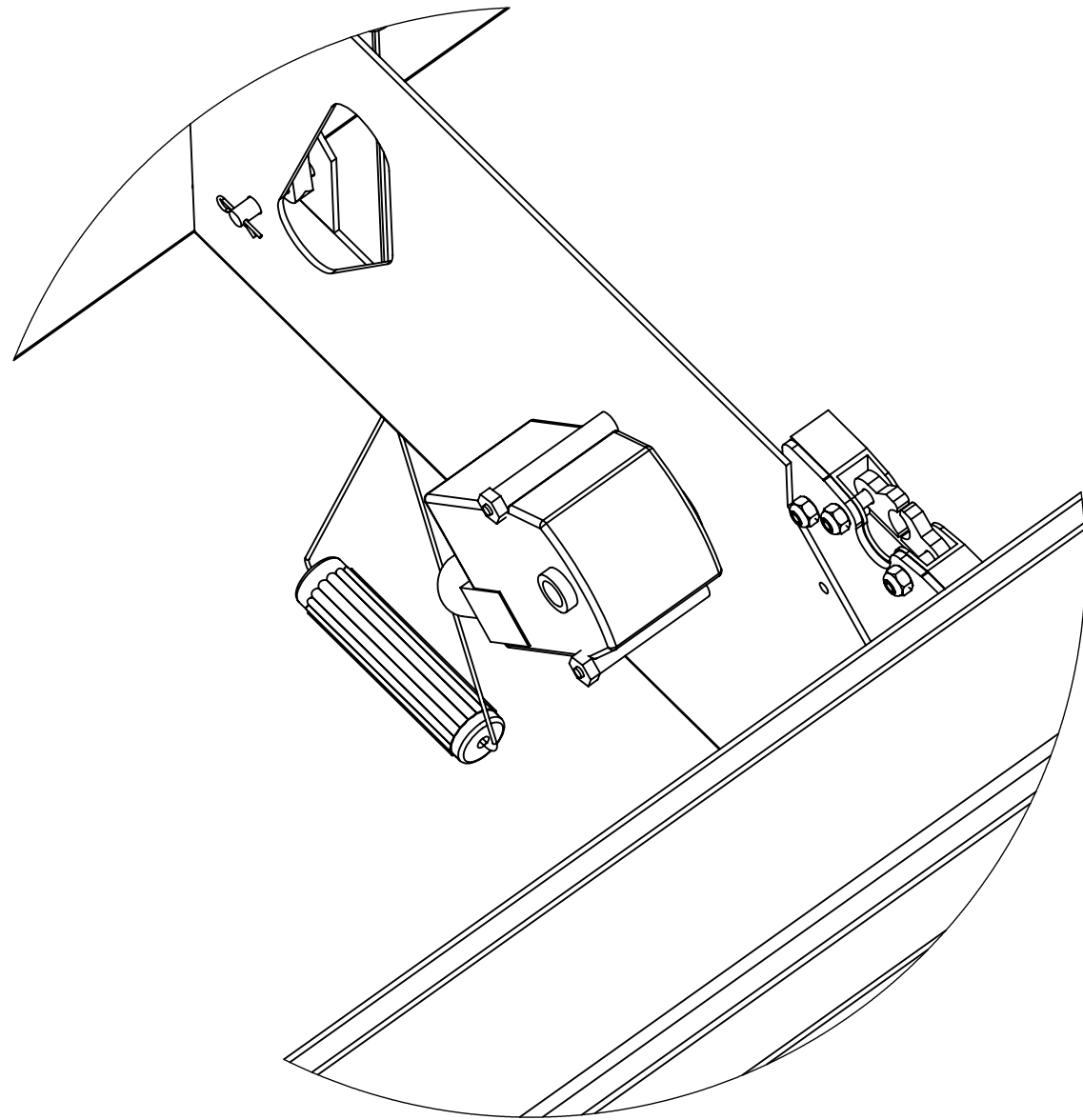
D

C

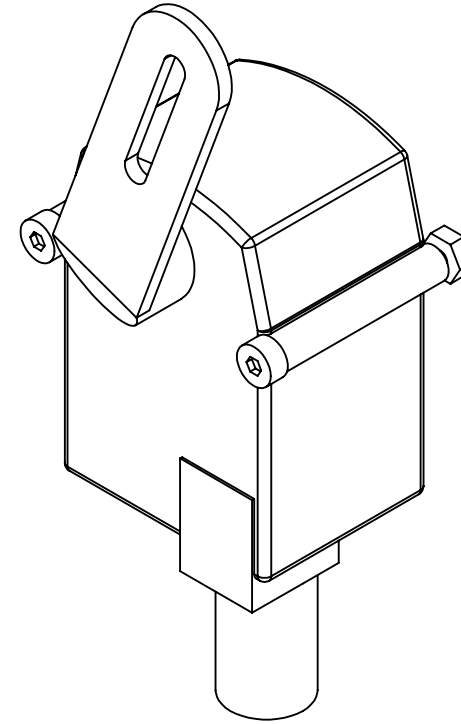
B

A

REPLACEMENT PART NUMBER	DESCRIPTION
SV-KIT-ELECTRIC-D-24	PKG, ELECTRICAL RELEASE, 24VDC/VAC, STC
SV-KIT-ELECTRIC-D-110	PKG, ELECTRICAL RELEASE, 120/240VAC, STC




FACTORY INSTALLED VIEW  
(STC DOUBLE DOOR)



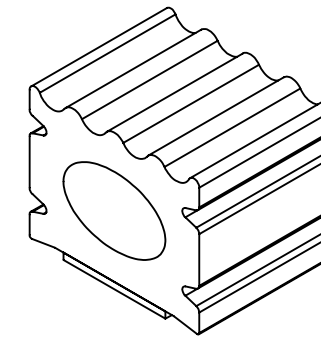
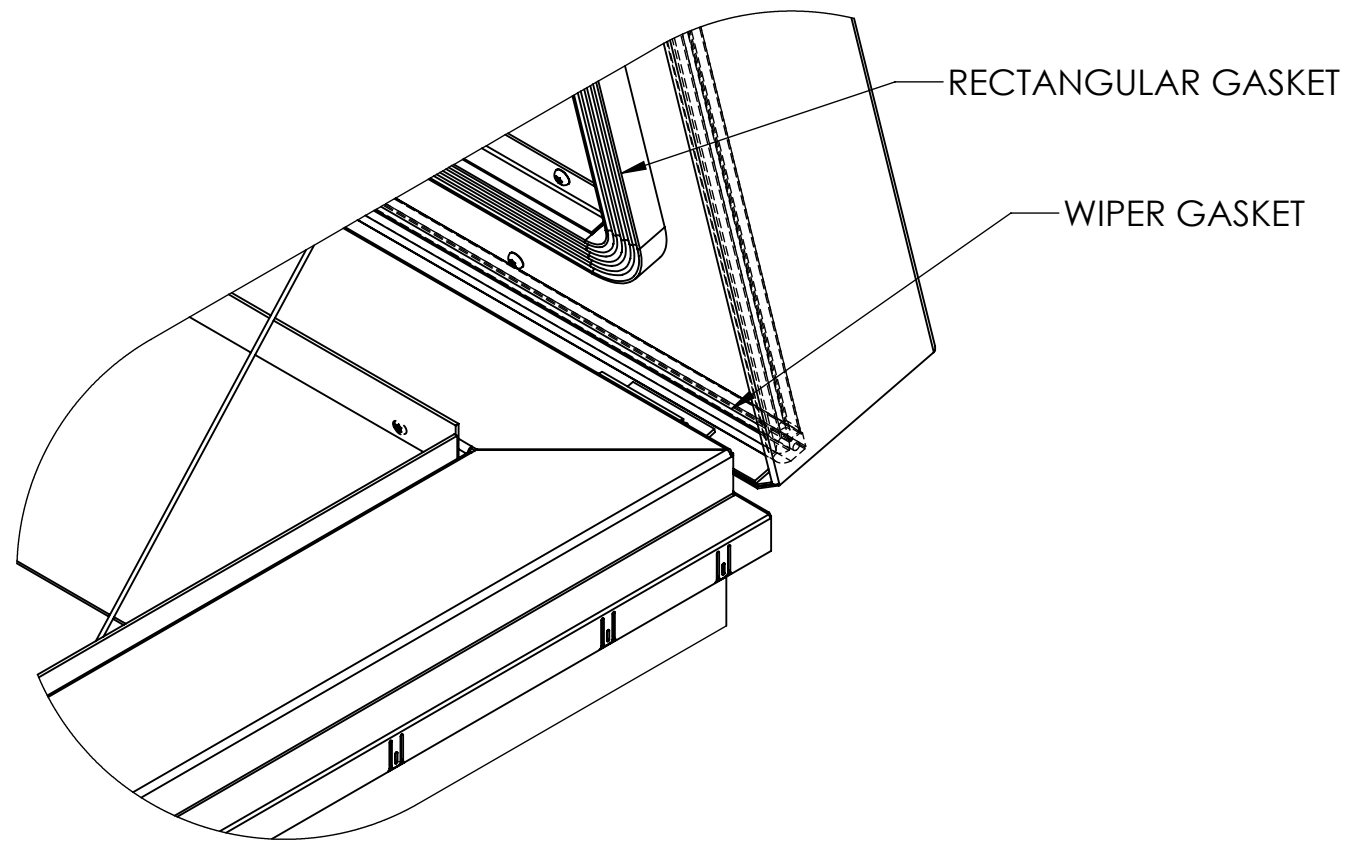
REPLACEMENT PART VIEW  
(SVX-KIT-ELECTRIC-D-24)

**REPLACEMENT ELECTRIC**

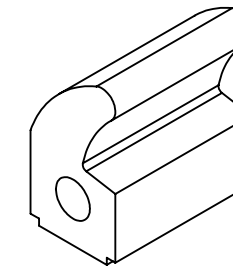
		TITLE: Smoke Vent, Acoustical STC50, 48x48, Dbl Dr, Galvn Steel, Black Pwd, Gray Pwd Cvr Ext, Dbl Wall Curb,		
9300 73rd Avenue North Minneapolis, MN 55428		NAME DATE	SIZE DWG. NO.	REV
DRAWN RELEASED	SGS BES	2/27/23 2/27/23	B SV-KIT-RETRO-STC	-
		WEIGHT: Weight		SHEET 8 OF 14



REPLACEMENT PART NUMBER	DESCRIPTION
SV-KIT-GASKET	GASKET, RH, SV, WIPER SEAL
SV-KIT-GASKET-STC	GASKET, RECTANGULAR, STC



RECTANGULAR GASKET  
(SV-KIT-GASKET-STC)



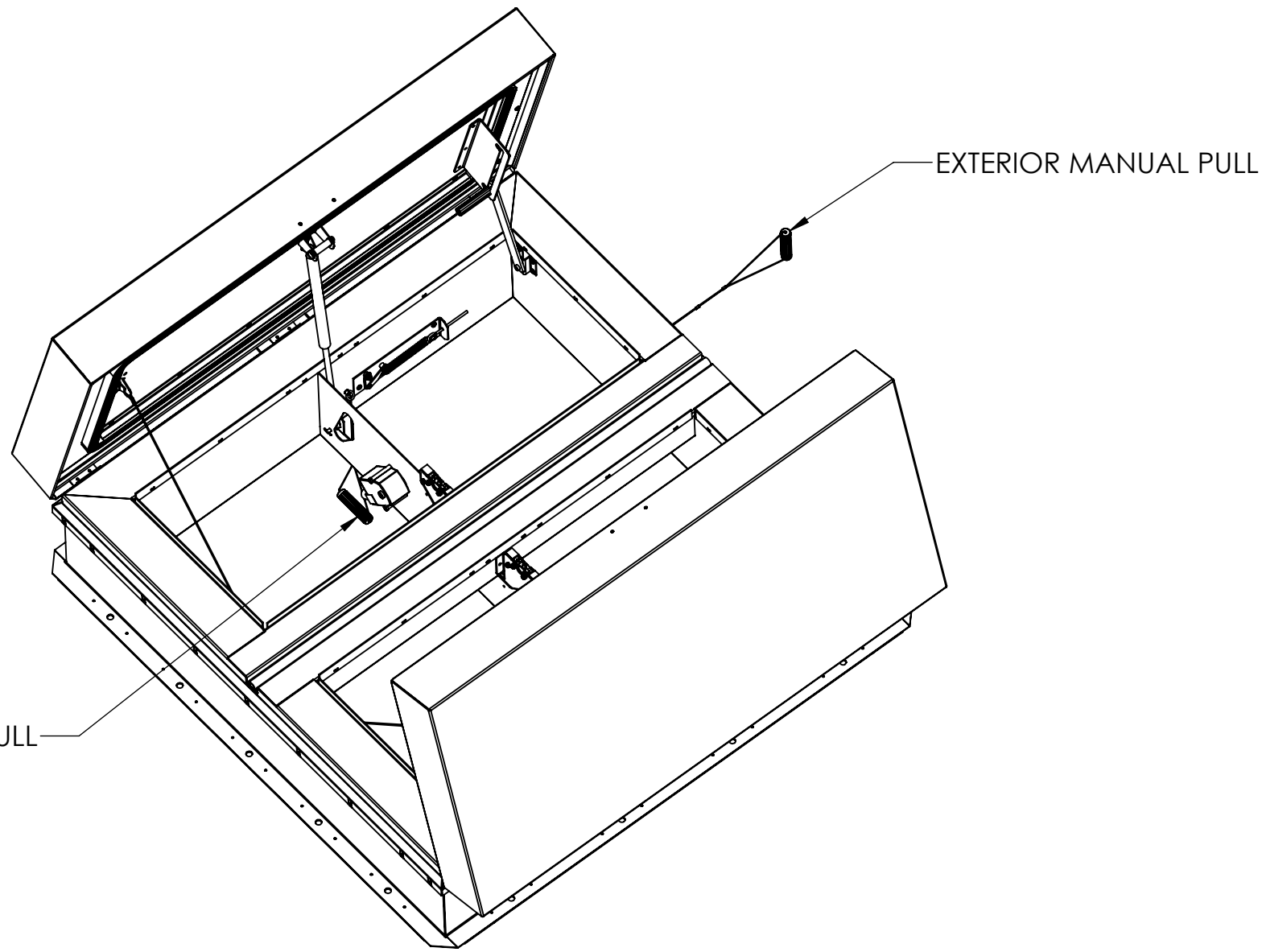
WIPER GASKET  
(SV-KIT-GASKET)

REPLACEMENT PART VIEW

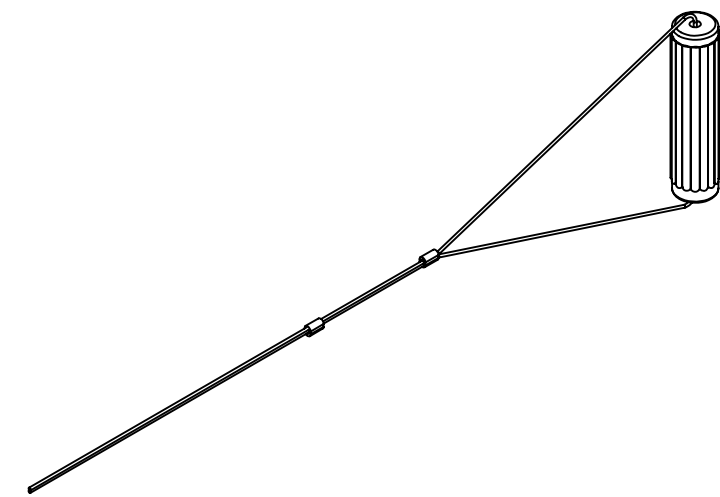
**REPLACEMENT GASKET**

 9300 73rd Avenue North Minneapolis, MN 55428		TITLE: Smoke Vent, Acoustical STC50, 48x48, Dbl Dr, Galvn Steel, Black Pwd, Gray Pwd Cvr Ext, Dbl Wall Curb,				
		NAME	DATE	SIZE	DWG. NO.	REV
DRAWN	SGS	2/27/23	<b>B</b>		SV-KIT-RETRO-STC	-
RELEASED	BES	2/27/23	WEIGHT: Weight		SHEET 9 OF 14	

REPLACEMENT PART NUMBER	DESCRIPTION
SV-KIT-MANUALPULL-100	PKG, PULL HANDLE, 100 FT, SVY SERIES
SV-KIT-MANUALPULL-50	PKG, PULL HANDLE, 50 FT, SVY SERIES
SV-KIT-MANUALPULL-10	PKG, PULL HANDLE, 10 FT, SVY SERIES
SV-KIT-MANUALPULL-100-SVZ	PKG, PULL HANDLE, 100 FT, SVZ SERIES
SV-KIT-MANUALPULL-50-SVZ	PKG, PULL HANDLE, 50 FT, SVZ SERIES
SV-KIT-MANUALPULL-10-SVZ	PKG, PULL HANDLE, 10 FT, SVZ SERIES




FACTORY INSTALLED VIEW

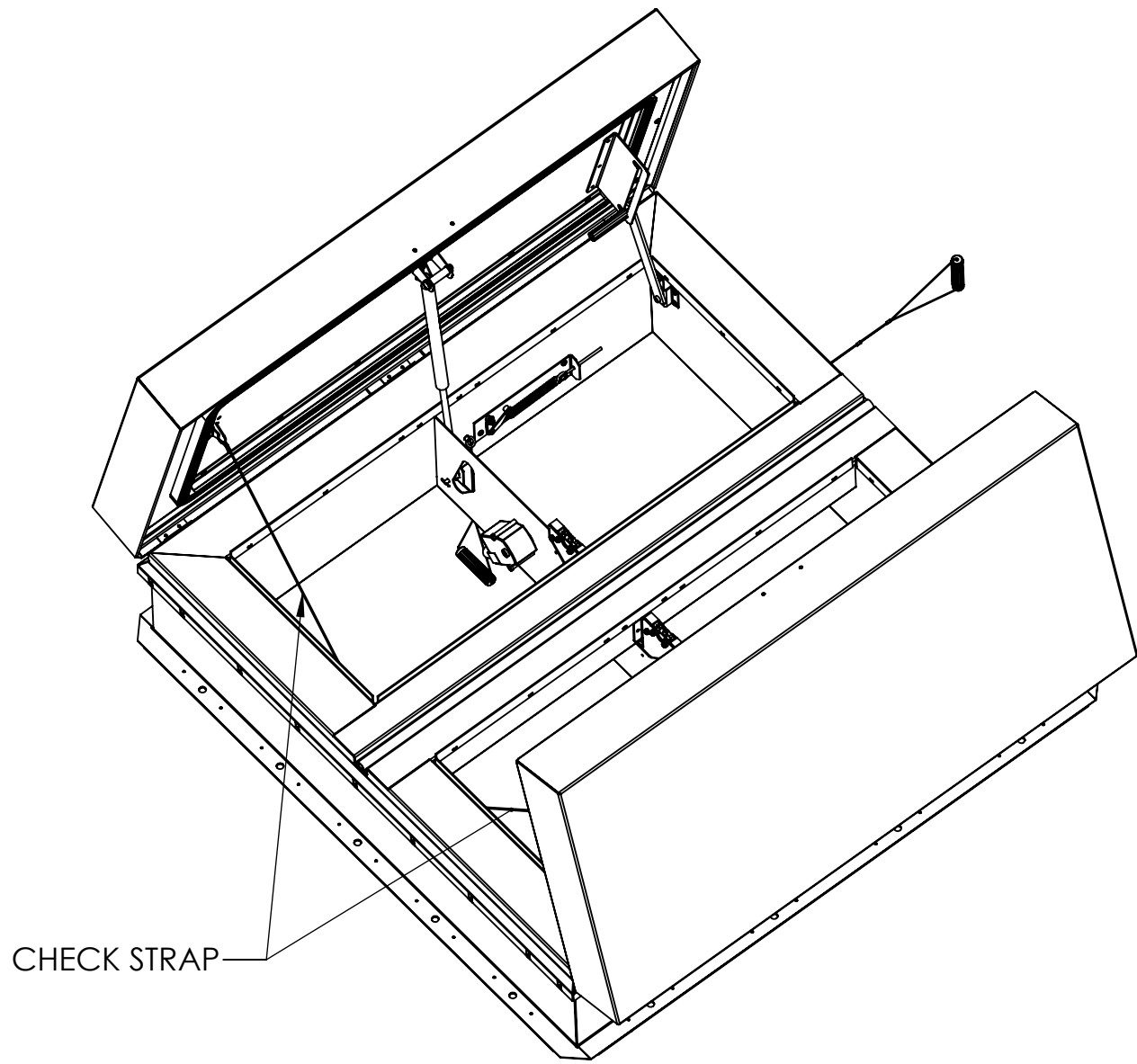


REPLACEMENT PART VIEW

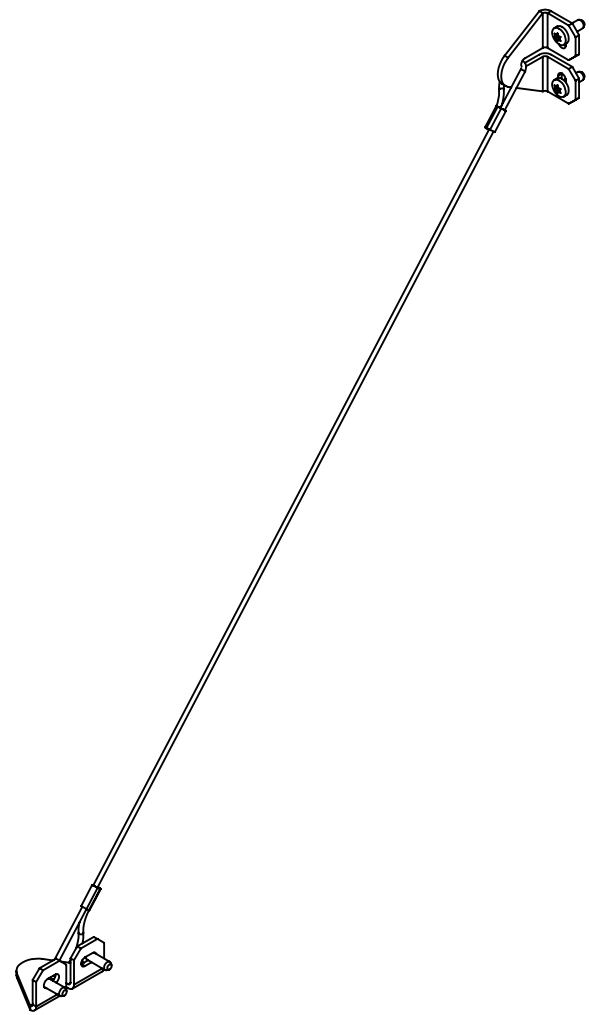
**REPLACEMENT MANUAL PULL**

 9300 73rd Avenue North Minneapolis, MN 55428		TITLE: Smoke Vent, Acoustical STC50, 48x48, Dbl Dr, Galvn Steel, Black Pwd, Gray Pwd Cvr Ext, Dbl Wall Curb,			
		NAME	DATE	SIZE	DWG. NO.
DRAWN	SGS	2/27/23	<b>B SV-KIT-RETRO-STC</b>		-
RELEASED	BES	2/27/23	WEIGHT: Weight		SHEET 10 OF 14

8	7	6	5	4	3	2	1
REPLACEMENT PART NUMBER		DESCRIPTION					
SV-KIT-CHECK		PKG, CHECK STRAP					




FACTORY INSTALLED VIEW



REPLACEMENT PART VIEW

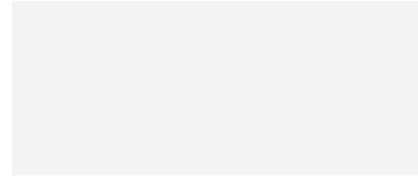
**REPLACEMENT CHECK STRAP**

 9300 73rd Avenue North Minneapolis, MN 55428			TITLE:		
			Smoke Vent, Acoustical STC50, 48x48, Dbl Dr, Galvn Steel, Black Pwd, Gray Pwd Cvr Ext, Dbl Wall Curb,		
	NAME	DATE	SIZE	DWG. NO.	REV
DRAWN	SGS	2/27/23	<b>B</b>	SV-KIT-RETRO-STC	-
RELEASED	BES	2/27/23			
			WEIGHT: Weight	SHEET 11 OF 14	

REPLACEMENT PART NUMBER	DESCRIPTION
KIT-SPRAYPAINT-FP1	SPRAY PAINT, ANSI 70 GRAY, ACRYLIC ENAMEL RESIN, 12.8 OZ CAN
KIT-SPRAYPAINT-FP2	SPRAY PAINT, RED OXIDE, ACRYLIC ENAMEL RESIN, 12.8 OZ CAN
KIT-SPRAYPAINT-FP4	SPRAY PAINT, SUPER BLACK, ACRYLIC ENAMEL RESIN, 12.8 OZ CAN
KIT-SPRAYPAINT-FP44	SPRAY PAINT, HI REFLECT WHITE, ACRYLIC ENAMEL RESIN, 12.8 OZ CAN
KIT-SPRAYPAINT-FP48	SPRAY PAINT, SAFETY YELLOW, ACRYLIC ENAMEL RESIN, 12.8 OZ CAN



Safety Yellow  
-FP48



High Reflectance White  
-FP44



Red Oxide  
-FP2




ANSI 70 Gray  
-FP1

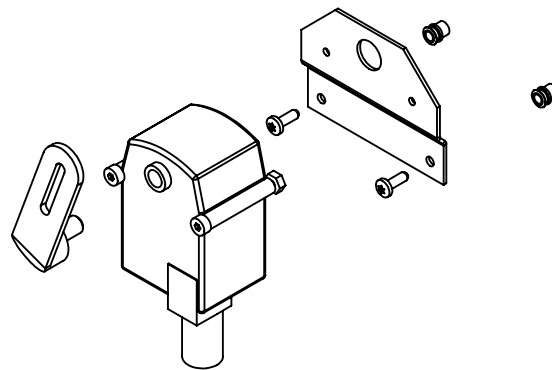


Super Black  
-FP4

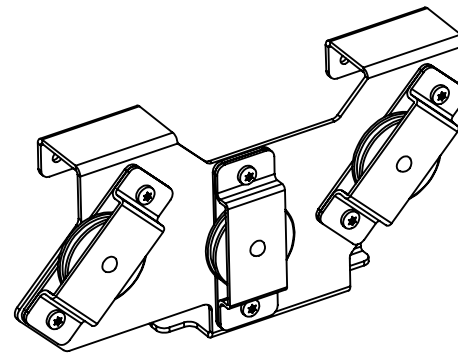
**TOUCH UP SPRAY CANS**

 9300 73rd Avenue North Minneapolis, MN 55428		TITLE: Smoke Vent, Acoustical STC50, 48x48, Dbl Dr, Galvn Steel, Black Pwd, Gray Pwd Cvr Ext, Dbl Wall Curb,			
	NAME	DATE	SIZE	DWG. NO.	REV
DRAWN	SGS	2/27/23	B	SV-KIT-RETRO-STC	-
RELEASED	BES	2/27/23			
WEIGHT: Weight			SHEET 12 OF 14		

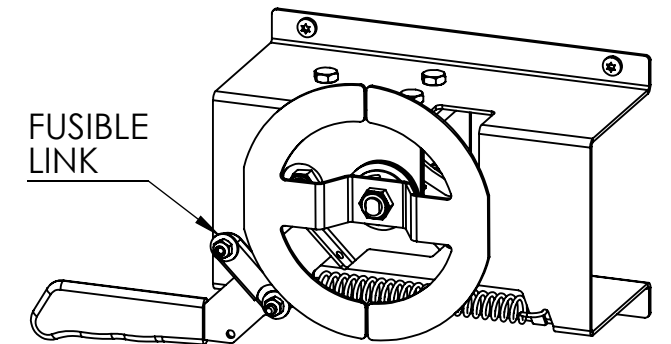
REPLACEMENT PART NUMBER	DESCRIPTION
SV-KIT-RETROWINCH	PKG, MANUAL WINCH, UL LISTED, 165F, RETRO FIT
SV-KIT-THERMAL-WINCH	PKG, ASSY, VENT LVL WINCH, DUAL ALM, 165F
SV-KIT-BRKWINCH	PKG, ASSY, FLOOR LVL WINCH, BRAKE WINCH
SV-KIT-CRBPLYGRP	PKG, ASSY, PULLEY GROUP, WINCH, MID SUPPORT
SV-KIT-CRBPLY	PKG, ASSY, PULLEY ANGLE, WINCH, CURB
SV-KIT-CVRPLY	PKG, ASSY, PULLEY, WINCH, COVER
SV-KIT-EYEBOLT	PKG, CABLE REDIRECT
SV-KIT-ELECTRIC-W-24	PKG, ELECTRICAL RELEASE, 24VDC/VAC, MANUAL WINCH
SV-KIT-ELECTRIC-W-110	PKG, ELECTRICAL RELEASE, 120/240VAC, MANUAL WINCH



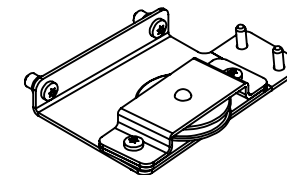
REPLACEMENT PART VIEW  
(SV-KIT-ELECTRIC-W-24)



REPLACEMENT PART VIEW  
(SV-KIT-CRBPLYGRP)



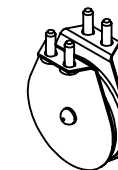
REPLACEMENT PART VIEW  
(SV-KIT-THERMAL-WINCH)



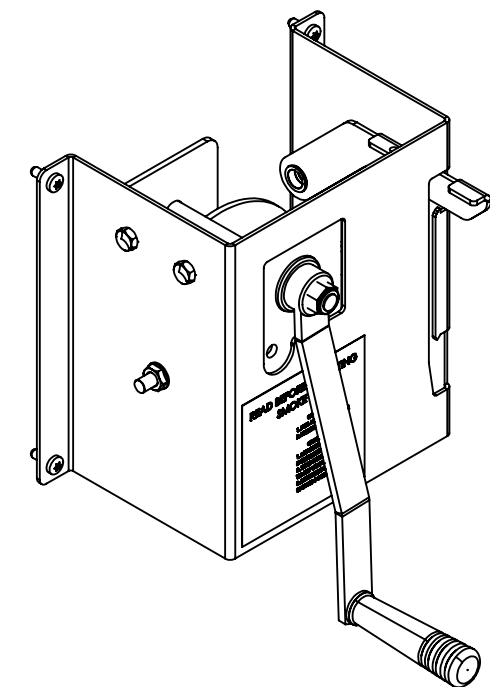
REPLACEMENT PART VIEW  
(SV-KIT-CRBPLY)



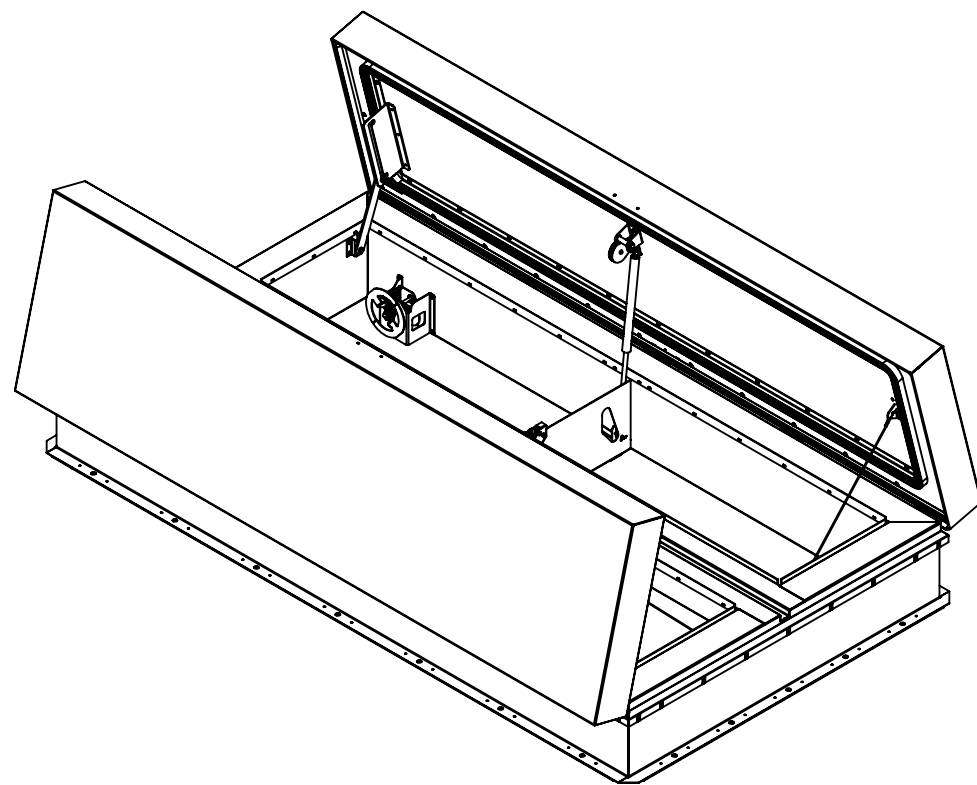
REPLACEMENT PART VIEW  
(SV-KIT-EYEBOLT)



REPLACEMENT PART VIEW  
(SV-KIT-CVRPLY)



REPLACEMENT PART VIEW  
(SV-KIT-BRKWINCH)

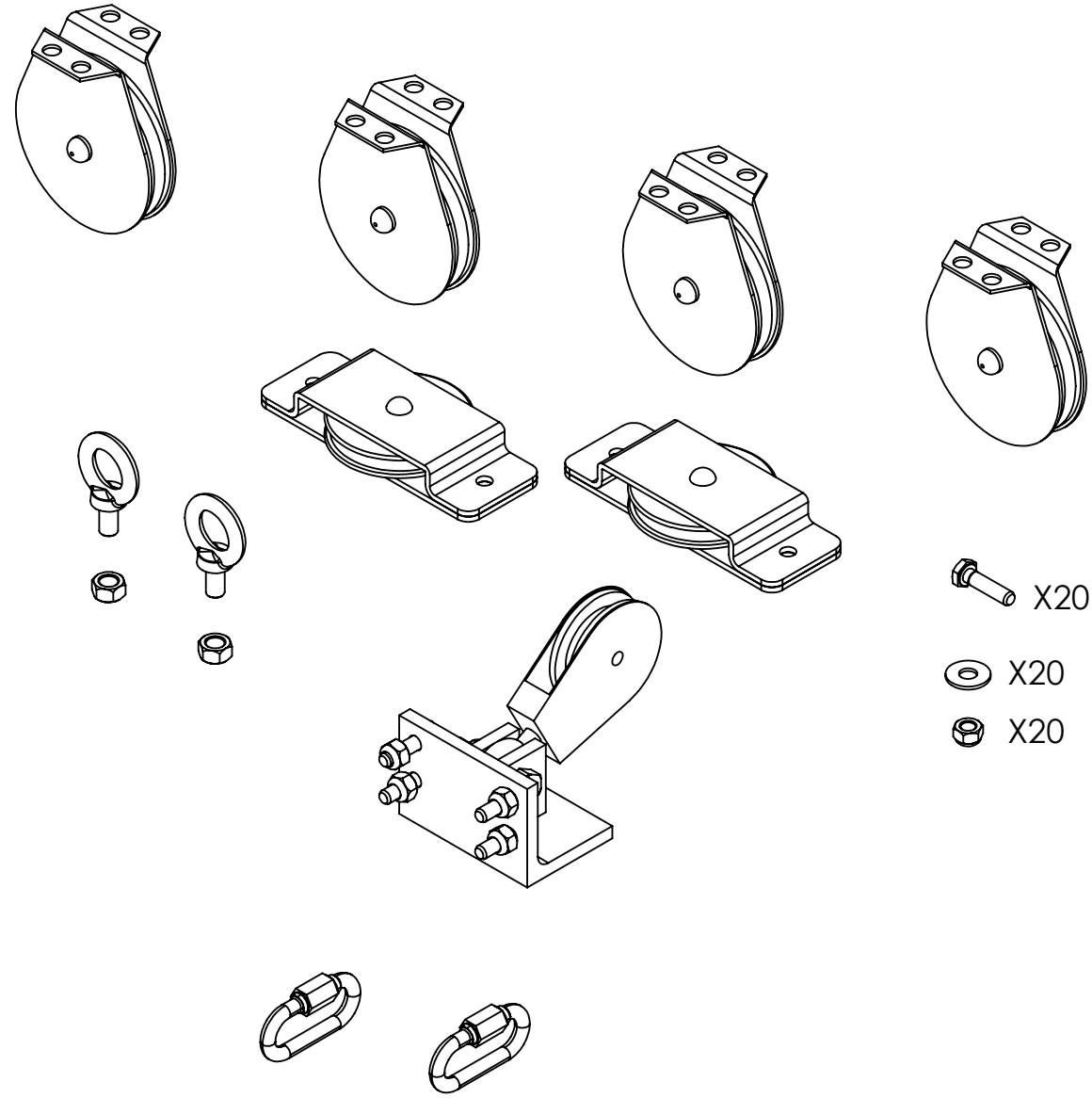


FACTORY INSTALLED VIEW


### REPLACEMENT MANUAL WINCH

		TITLE: Smoke Vent, Acoustical STC50, 48x48, Dbl Dr, Galvn Steel, Black Pwd, Gray Pwd Cvr Ext, Dbl Wall Curb,	
9300 73rd Avenue North Minneapolis, MN 55428		SIZE DWG. NO.	REV
DRAWN SGS	DATE 2/27/23	<b>B</b> SV-KIT-RETRO-STC	-
RELEASED BES	DATE 2/27/23	WEIGHT: Weight	SHEET 13 OF 14

8	7	6	5	4	3	2	1
REPLACEMENT PART NUMBER	DESCRIPTION						
SV-KIT-RIGGING	PKG, KIT, RIGGING HARDWARE						



### RIGGING HARDWARE

 9300 73rd Avenue North Minneapolis, MN 55428			TITLE: Smoke Vent, Acoustical STC50, 48x48, Dbl Dr, Galvn Steel, Black Pwd, Gray Pwd Cvr Ext, Dbl Wall Curb,		
			NAME	DATE	SIZE
DRAWN	SGS	2/27/23	<b>B</b> SV-KIT-RETRO-STC		-
RELEASED	BES	2/27/23	WEIGHT: Weight		SHEET 14 OF 14