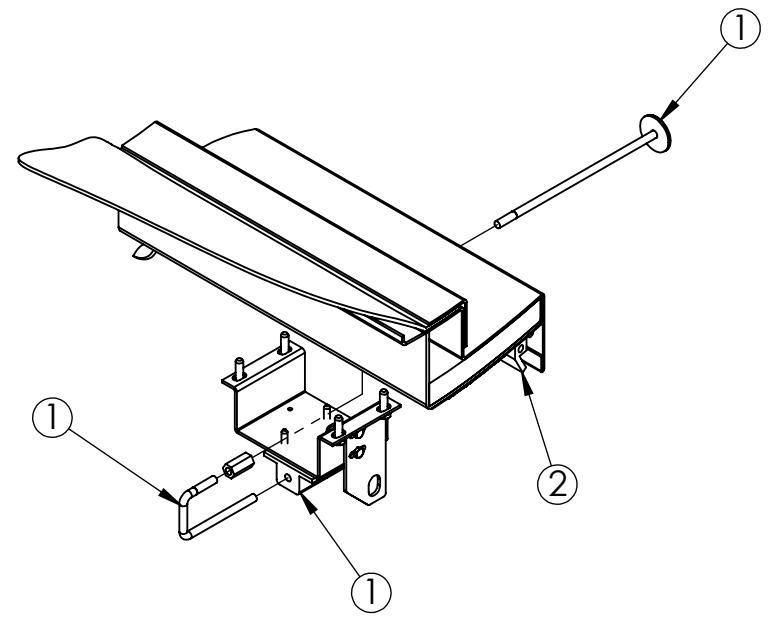
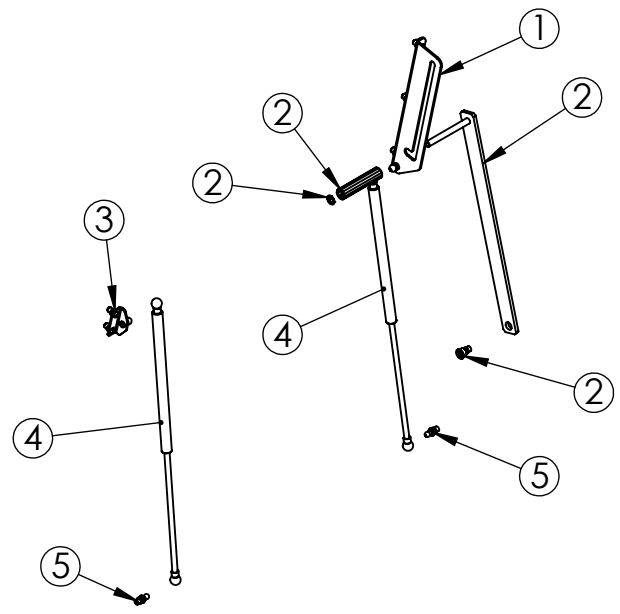


8 7 6 5 4 3 2 1

SUNLIT ROOF HATCH KITS	
DETAIL	DESCRIPTION
①	HOA/SPRING
②	COVER LATCH
③	LATCH CATCH
④	HINGE
⑤	GASKET

D



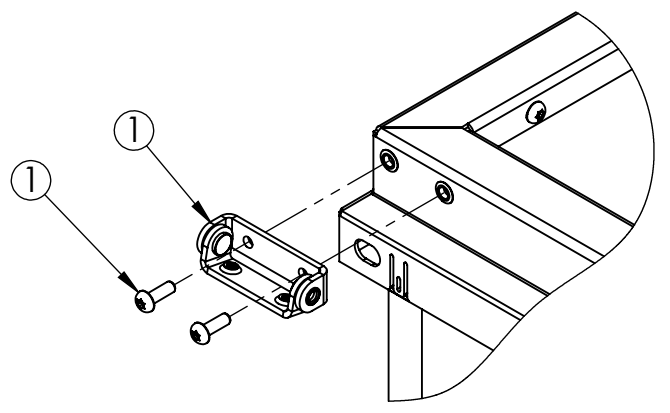
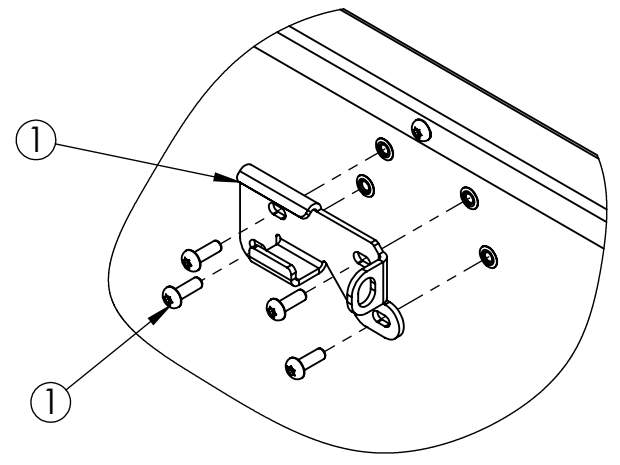
REPLACEMENT HOLD OPEN ARM/SPRING

REPLACEMENT COVER LATCH/GASKET

ITEM	REPLACEMENT KIT #	OEM PART #	DESCRIPTION
①	RHKIT-HOACVR	29939	PKG, HOA COVER BRACKET
②	RHKIT-HOACURB	29938	PKG, HOA AND CURB HARDWARE
③	RHKIT-SPRINGBRKT	29944	PKG, SPRING COVER BRACKET
④	RHKIT-SPRING-150	30268	PKG, 150N SPRING
④	RHKIT-SPRING-250	29880	PKG, 250N SPRING
④	RHKIT-SPRING-500	29881	PKG, 500N SPRING
④	RHKIT-SPRING-600	30269	PKG, 600N SPRING
⑤	RHKIT-SPRINGSTUD	29943	PKG, BALL STUD FOR SPRING

ITEM	REPLACEMENT KIT #	OEM PART #	DESCRIPTION
①	RH-KIT-PALMLATCH	2847	PKG, PALM LATCH, SUNLIT
②	RHKIT-GASKET	6650	10 FT, GASKET

B

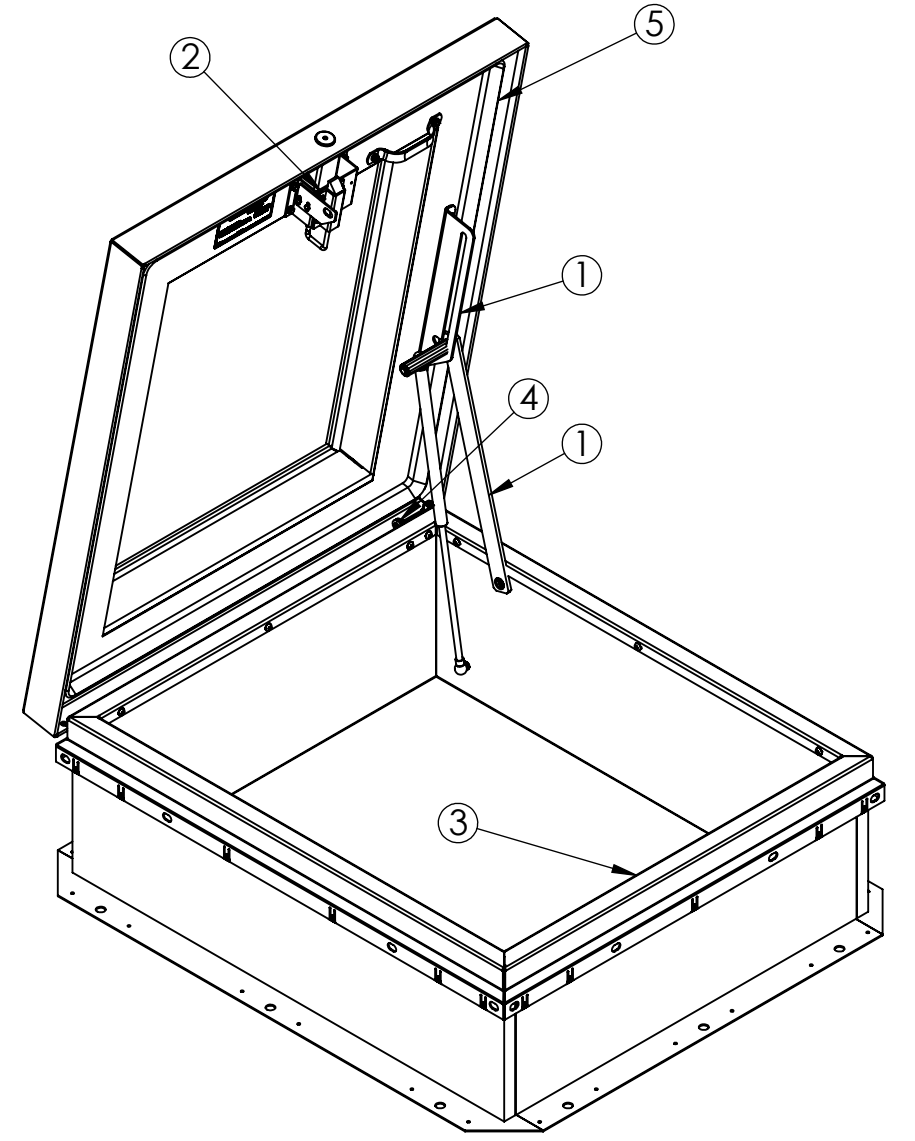


REPLACEMENT SINGLE POINT LATCH CATCH

REPLACEMENT HINGE

ITEM	REPLACEMENT KIT #	OEM PART #	DESCRIPTION
①	RHKIT-CATCH	30448	PKG, LATCH CATCH

ITEM	REPLACEMENT KIT #	OEM PART #	DESCRIPTION
①	RHKIT-HINGE	29941	PKG, HINGE



A



9300 73rd Avenue North  
Minneapolis, MN 55428

TITLE: ROOF HATCH SUNLIT SERIES REPLACEMENT COMPONENTS

NAME	DATE	SIZE	DWG. NO.	REV
		B	RHLKIT	
DRAWN		WEIGHT:	SHEET 1 OF 2	
RELEASED				

PROPRIETARY AND CONFIDENTIAL: THE INFORMATION CONTAINED IN THIS DRAWING IS THE SOLE PROPERTY OF NYSTROM. ANY REPRODUCTION IN PART OR AS A WHOLE WITHOUT THE WRITTEN PERMISSION OF NYSTROM IS PROHIBITED. ©2020 NYSTROM, INC.

8 7 6 5 4 3 2 1

8

7

6

5

4

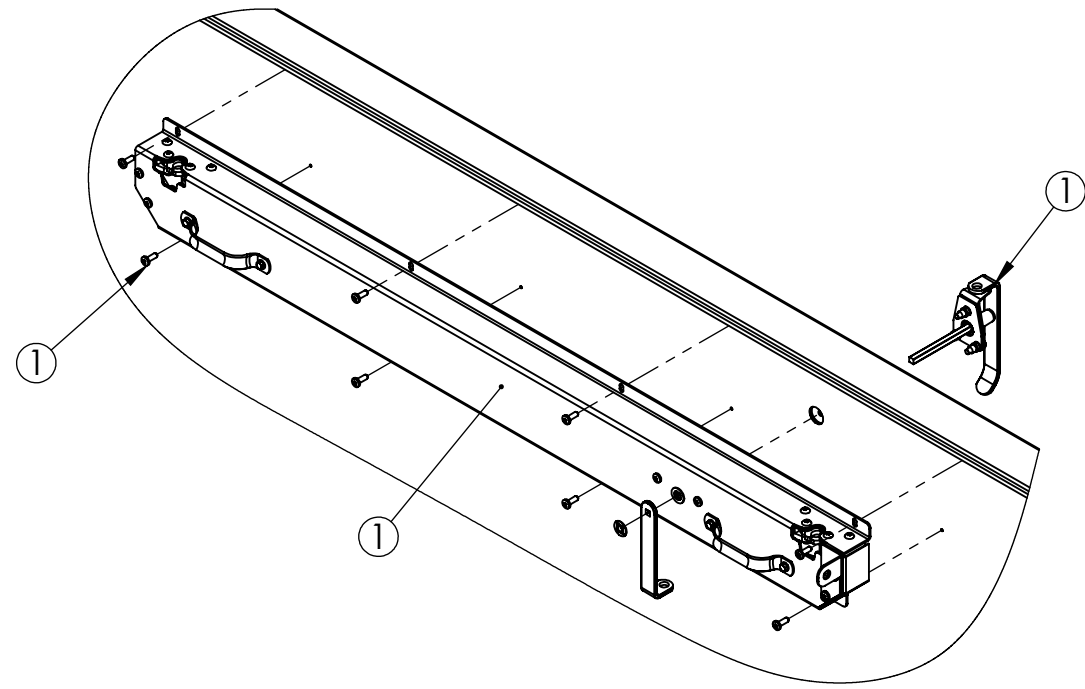
3

2

1

SUNLIT ROOF HATCH KITS	
DETAIL	DESCRIPTION
①	COVER LATCH
②	LATCH CATCH

D

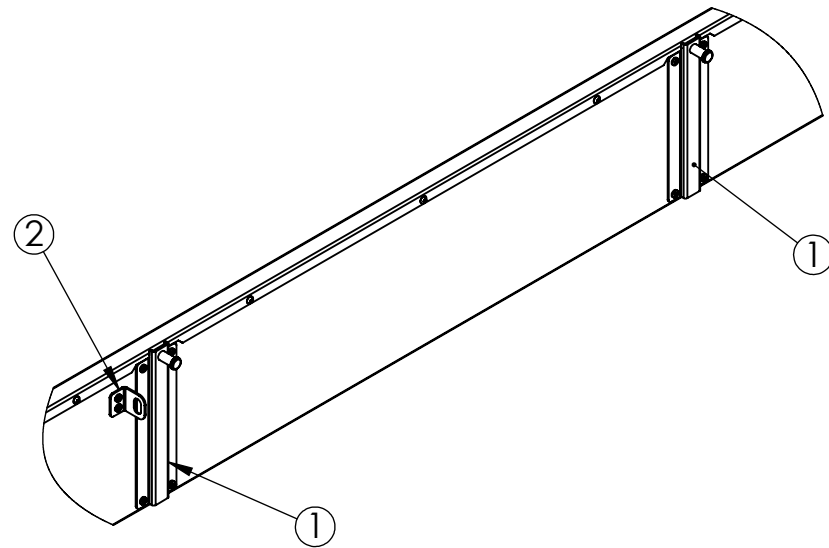


C

REPLACEMENT TWO POINT LATCH

ITEM	REPLACEMENT KIT #	OEM PART #	DESCRIPTION
①	RHKIT-2PTLATCH	31891, 31887	PKG, 2-PT LATCH, RH
①	RHKIT-2PTLATCH-LH	31892, 31887	PKG, 2-PT LATCH, LH

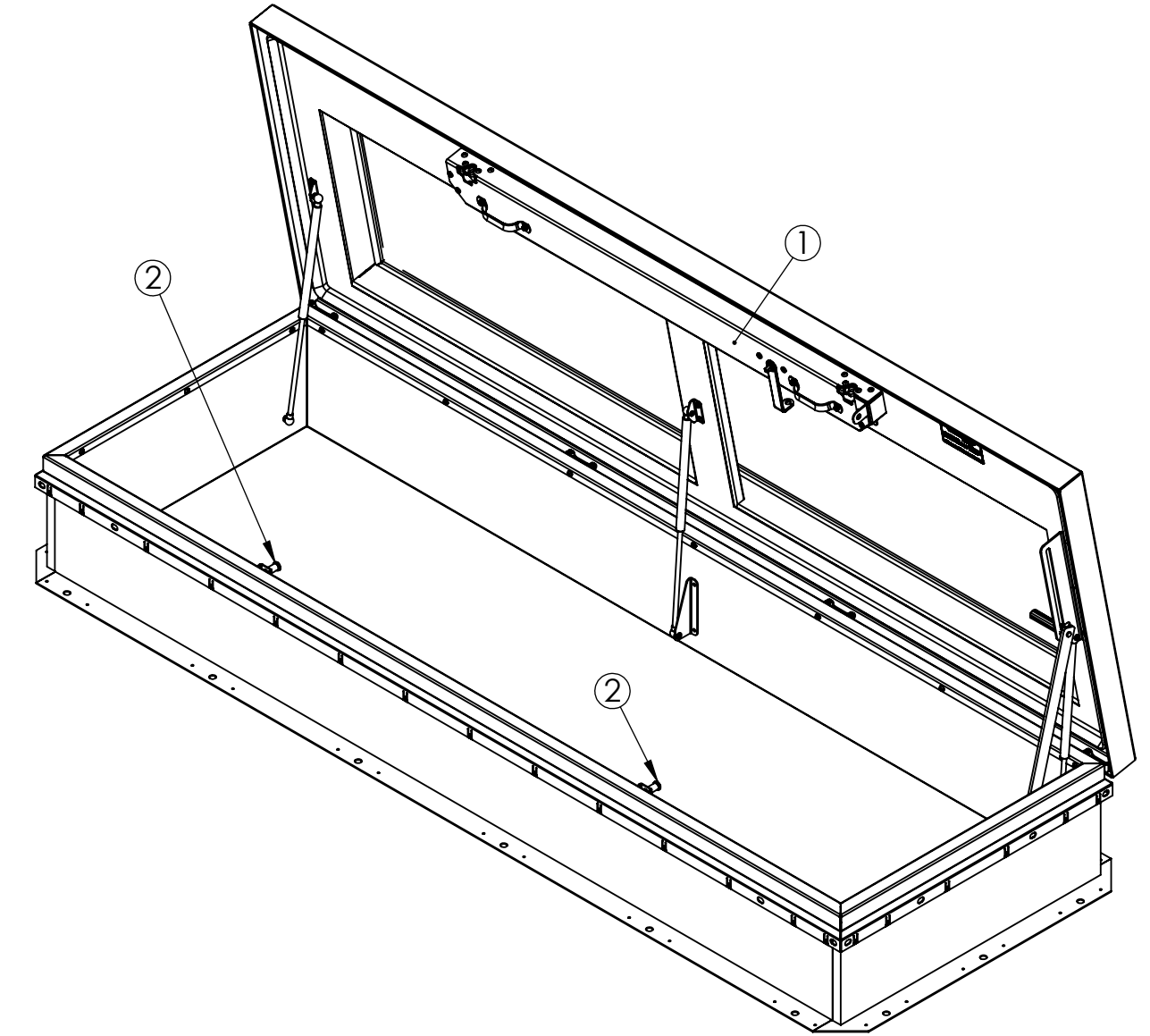
B



REPLACEMENT TWO POINT LATCH CATCH

ITEM	REPLACEMENT KIT #	OEM PART #	DESCRIPTION
①	RHKIT-2PCATCH	28904	PKG, TWO POINT LATCH CATCHES
②	RHKIT-HASP	29675	PKG, PADLOCK HASP

A



D

C

B

A

	TITLE:		ROOF HATCH SUNLIT SERIES REPLACEMENT COMPONENTS	
	9300 73rd Avenue North Minneapolis, MN 55428		SIZE	DWG. NO.
DRAWN	NAME	DATE	<b>B</b> RHLKIT	REV
RELEASED				WEIGHT:

PROPRIETARY AND CONFIDENTIAL: THE INFORMATION CONTAINED IN THIS DRAWING IS THE SOLE PROPERTY OF NYSTROM. ANY REPRODUCTION IN PART OR AS A WHOLE WITHOUT THE WRITTEN PERMISSION OF NYSTROM IS PROHIBITED. ©2020 NYSTROM, INC.

8

7

6

5

4

3

2

1