

8

7

6

5

4

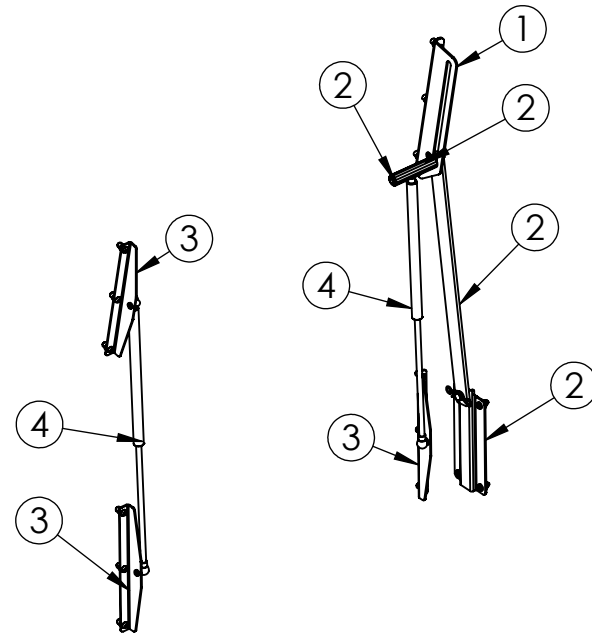
3

2

1

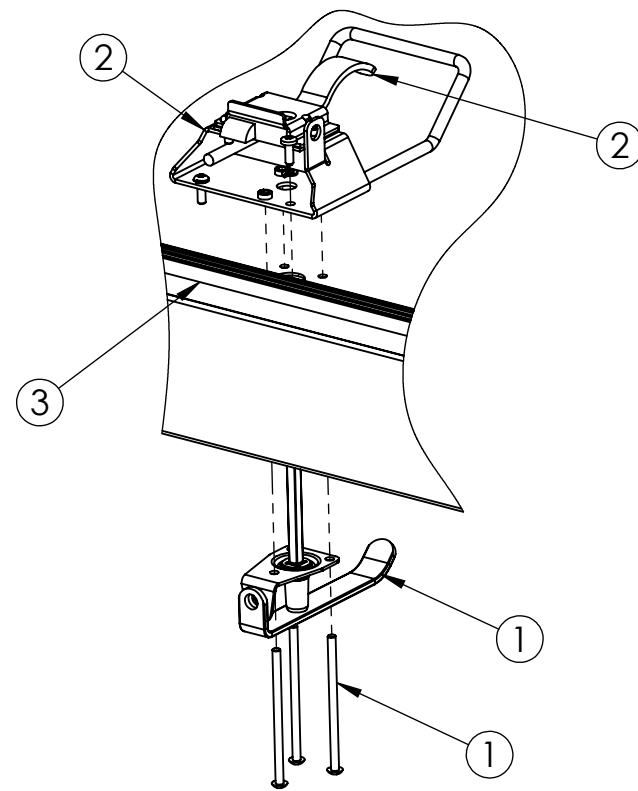
ROOF HATCH KITS	
DETAIL	DESCRIPTION
①	HOA/SPRING
②	COVER LATCH
③	LATCH CATCH
④	HINGE
⑤	GASKET

D



REPLACEMENT HOA/SPRING

ITEM	REPLACEMENT KIT #	OEM PART #	DESCRIPTION
①	RHTKIT-HOACOVER	29940	PKG, HOA COVER BRACKET
②	RHTKIT-HOACURB	31758	PKG, HOA AND HARDWARE
③	RHTKIT-SPRINGBRKT	30623	PKG, SPRING BRACKET
④	RHTKIT-SPRING-150	30628	PKG, 150N SPRING
④	RHTKIT-SPRING-250	29880	PKG, 250N SPRING
④	RHTKIT-SPRING-500	29881	PKG, 500N SPRING
④	RHTKIT-SPRING-600	30269	PKG, 600N SPRING



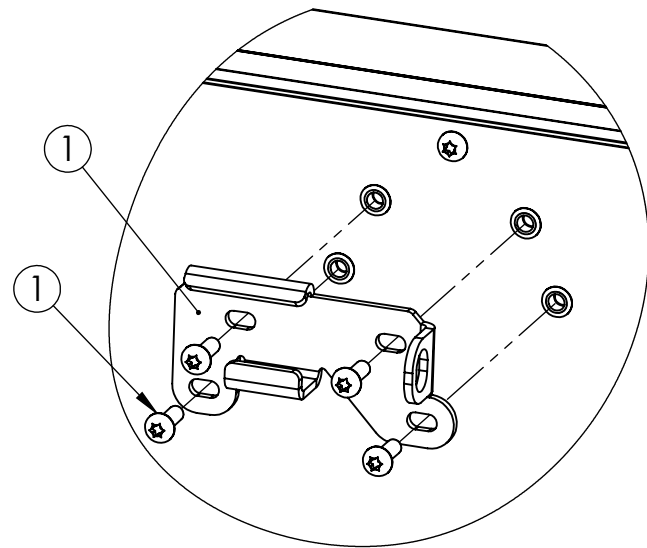
REPLACEMENT COVER LATCH/GASKET

ITEM	REPLACEMENT KIT #	OEM PART #	DESCRIPTION
①	RHTKIT-EXTHDL	30303	PKG, EXTERIOR TURN HANDLE
②	RHTKIT-INTHDL	31760	PKG, INTERIOR TURN HANDLE
③	RHTKIT-GASKET	31547	PKG, GASKET

C

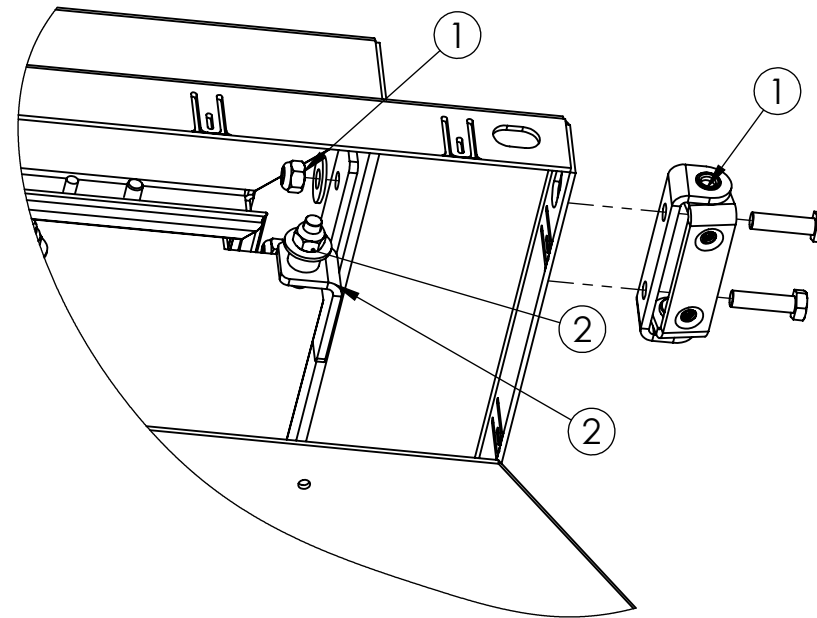
B

A



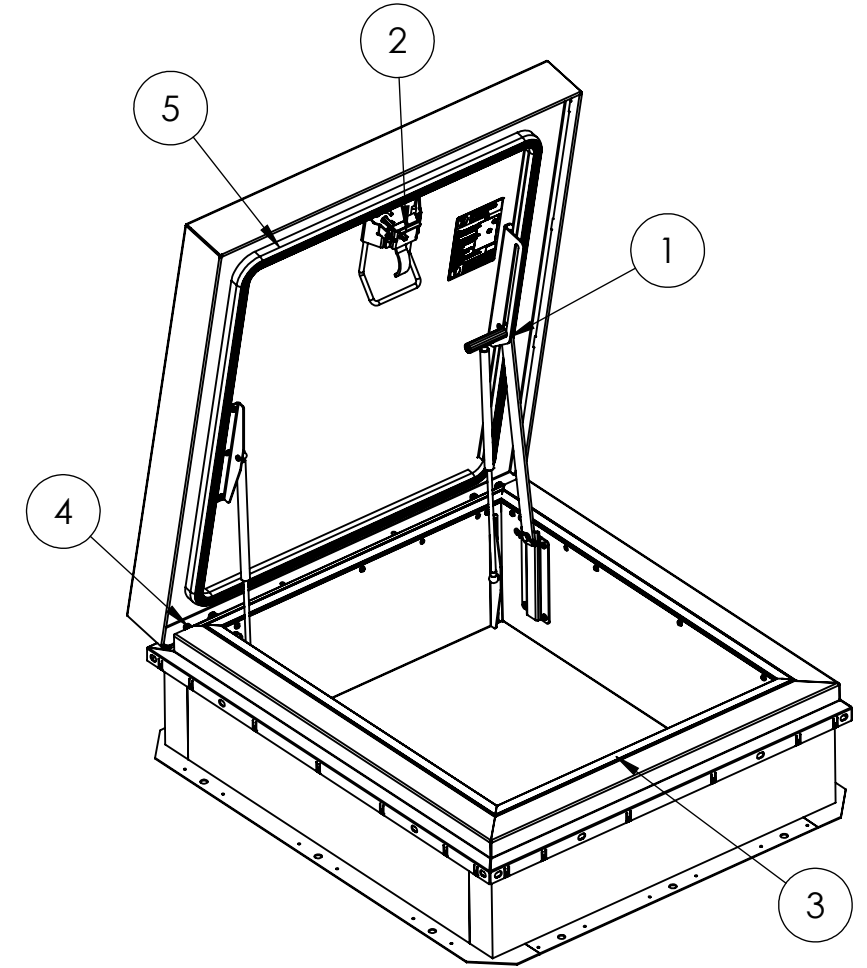
REPLACEMENT LATCH CATCH

ITEM	REPLACEMENT KIT #	OEM PART #	DESCRIPTION
①	RHTKIT-CATCH	30448	PKG, LATCH CATCH



REPLACEMENT HINGE

ITEM	REPLACEMENT KIT #	OEM PART #	DESCRIPTION
①	RHTKIT-HINGE	31757	PKG, HINGE
②	RHTKIT-HNGBRKT	31761	PKG, HINGE BRACKET



9300 73rd Avenue North  
Minneapolis, MN 55428

TITLE:  
ROOF HATCH,  
THERMALLY BROKEN,  
REPLACEMENT COMPONENTS

DRAWN  
RELEASED

NAME  
DATE

SIZE DWG. NO.  
REV

**B** RETRO-FIT KITS

WEIGHT: VARIES SHEET 1 OF 2

PROPRIETARY AND CONFIDENTIAL: THE INFORMATION CONTAINED IN THIS DRAWING IS THE SOLE PROPERTY OF NYSTROM. ANY REPRODUCTION IN PART OR AS A WHOLE WITHOUT THE WRITTEN PERMISSION OF NYSTROM IS PROHIBITED. ©2022 NYSTROM, INC.

8

7

6

5

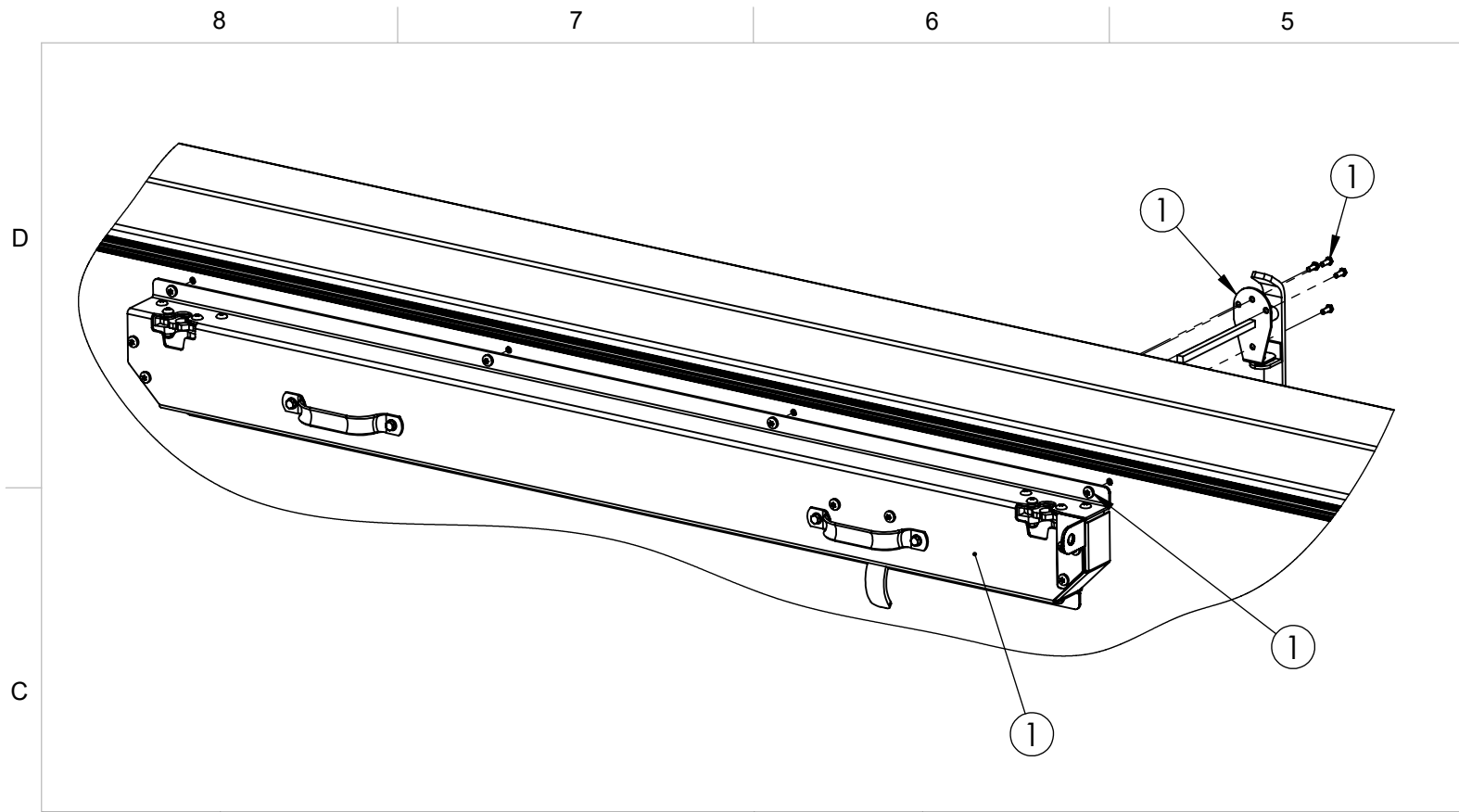
4

3

2

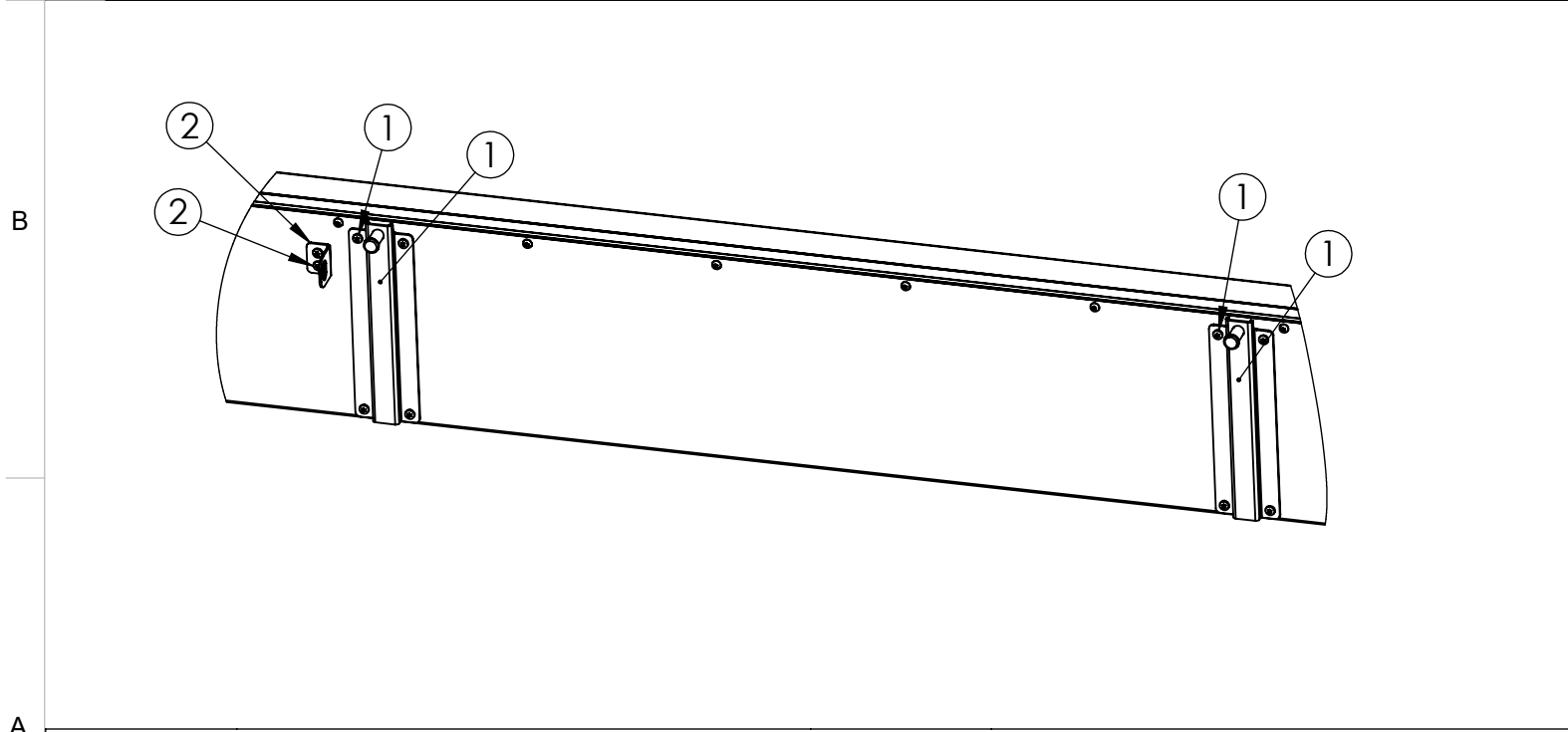
1

ROOF HATCH KITS	
DETAIL	DESCRIPTION
①	COVER LATCH
②	LATCH CATCH



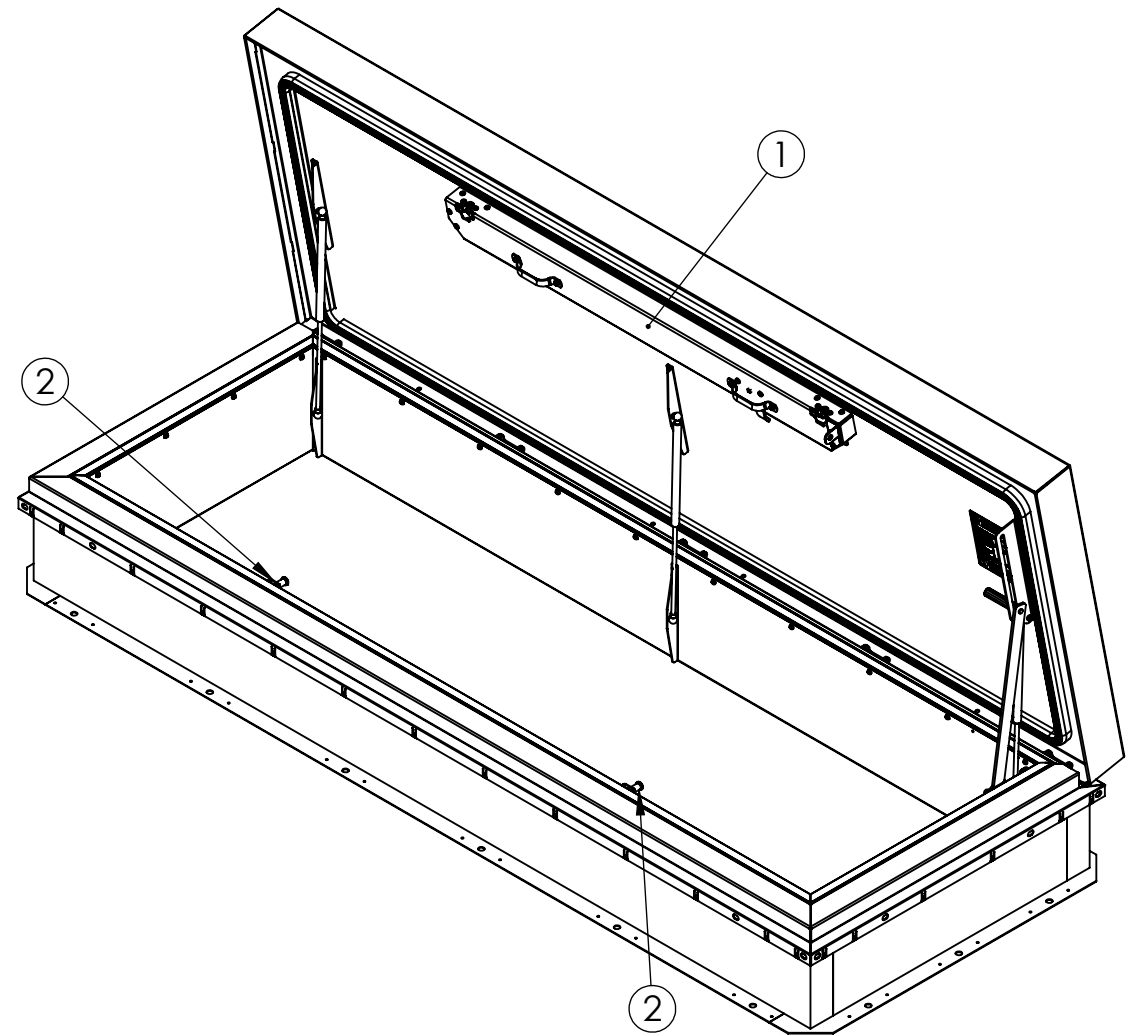
REPLACEMENT 2 POINT COVER LATCH

ITEM	REPLACEMENT KIT #	OEM PART #	DESCRIPTION
①	RHTKIT-2PTLATCH	28912	PKG, TWO POINT LATCH



REPLACEMENT 2 POINT LATCH CATCH

ITEM	REPLACEMENT KIT #	OEM PART #	DESCRIPTION
①	RHTKIT-2PTCATCH	28904	PKG, TWO POINT LATCH CATCHES
②	RHTKIT-HASP	29675	PKG, PADLOCK HASP



**nystrom**  
 9300 73rd Avenue North  
 Minneapolis, MN 55428

TITLE:  
 ROOF HATCH,  
 THERMALLY BROKEN,  
 REPLACEMENT COMPONENTS

NAME	DATE	SIZE	DWG. NO.	REV
DRAWN	5/11/2022	B	RETRO-FIT KITS	
RELEASED	BES 5/17/2022			

PROPRIETARY AND CONFIDENTIAL: THE INFORMATION CONTAINED IN THIS DRAWING IS THE SOLE PROPERTY OF NYSTROM. ANY REPRODUCTION IN PART OR AS A WHOLE WITHOUT THE WRITTEN PERMISSION OF NYSTROM IS PROHIBITED. ©2022 NYSTROM, INC.