

SPECIFICATIONS:

- ① **COVER:**
11 GA (.090) ALUM, STIFFENED TO WITHSTAND A LIVE LOAD OF 40PSF WITH A MAX DEFLECTION OF 1/150 OF THE SPAN.
- ② **CURB:** 11 GA (.090) ALUM, CURB COUNTERFLASH WITH EZ TABS.
- ③ **FINISH:** MILL
- ④ **INSULATION:** 3" POLYISO R-20 IN CURB, 3" POLYISO R-20 IN COVER.
- ⑤ **GASKET:**
EXTRUDED EPDM RUBBER ADHESIVE BACKED GASKET SEAL CONTINUOUS AROUND COVER.
- ⑥ **SPRING:**
SPRINGS PROVIDE SMOOTH, CONTROLLED, COUNTERBALANCED LIFT ASSISTANCE.
- ⑦ **HINGE:** PINTLE HINGE WITH STAINLESS STEEL HINGE PINS.
- ⑧ **HOLD OPEN ARM:**
STEEL AUTOMATIC HOLD OPEN ARM LOCKS COVER IN FULLY OPEN POSITION WITH RED GRIP HANDLE PULL RELEASE.

- ⑨ **LATCH:**
STEEL SLAM LATCH, HOLDS COVERS CLOSED AGAINST 20PSF WIND UPLIFT, INTERIOR AND EXTERIOR HANDLES WITH PADLOCK HASPS.
- ⑩ **PULL HANDLE:**
INTERIOR PULL DOWN HANDLE, SAFETY YELLOW POWDER COAT.

NOTES:
 -WHEN INSTALLING ON A PITCHED ROOF UP TO 7:12, THE HINGE SIDE (LENGTH) MUST BE PARALLEL TO THE SLOPE.
 - WIDTH X LENGTH DIMENSIONS ARE MEASURED INSIDE CURB TO INSIDE CURB. THE WIDTH IS HINGE TO LATCH AND LENGTH IS HINGED SIDE.

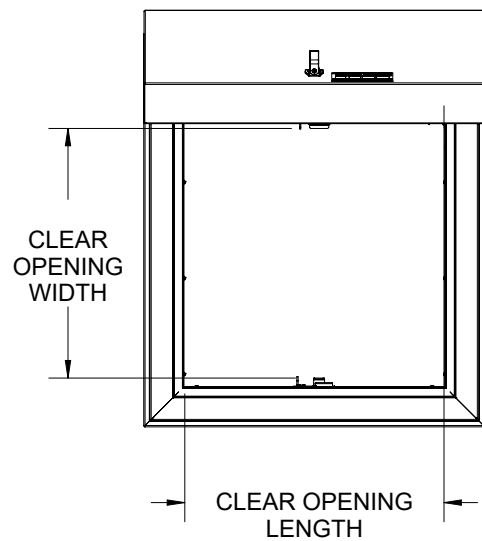
ROOF HATCH SIZE:

OPTIONS

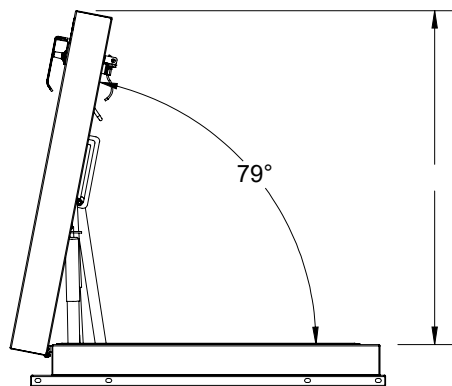
Stainless Steel Hardware

PROJECT:			
ARCHITECT:			
CONTRACTOR:			
QTY:			
PART#:			
		TITLE:	
		9300 73rd Avenue North Minneapolis, MN 55428	
NAME	DATE	SIZE	DWG. NO.
DRAWN		A	Nystrom RH RHRT_X_S1T ShpDr
RELEASED		WEIGHT:	SHEET 1 OF 2

B



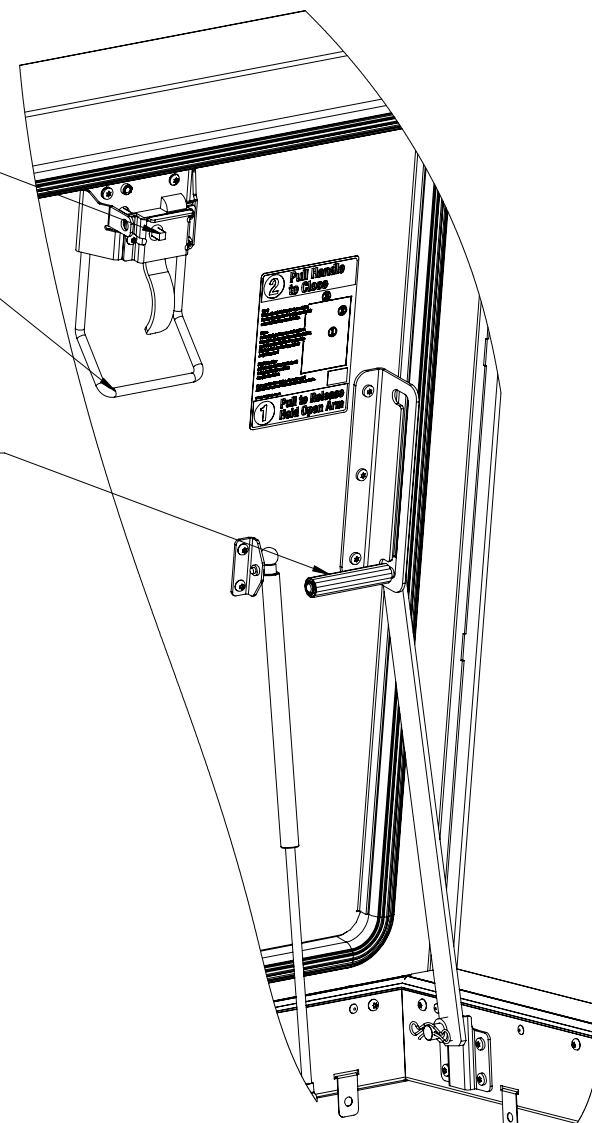
A



SLAM LATCH

PULL HANDLE

HOLD OPEN ARM



MOUNTING CLIPS
FASTENERS PROVIDED
BY OTHERS

B

A

			TITLE:		
9300 73rd Avenue North Minneapolis, MN 55428					
NAME	DATE	SIZE	DWG. NO.	REV	
DRAWN		A	Nystrom RH RHRT_X_S1T ShpDr		
RELEASED		WEIGHT:	SHEET 2 OF 2		