

**SPECIFICATIONS:**

- ① COVER: 11 GA (.090") ALUM, STIFFENED TO WITHSTAND A LIVE LOAD OF 40 PSF WITH A MAX DEFLECTION OF 1/150 OF THE SPAN
- ② LINER: 11 GA (.090") ALUM
- ③ CURB: 11 GA (.090") ALUM, CURB COUNTERFLASH WITH EZ TABS.
- ④ FINISH: MILL
- ⑤ INSULATION: 3" POLYISO R-20+ IN CURB, 3" POLYISO R-20+ IN COVER.
- ⑥ GASKET: EXTRUDED EPDM RUBBER ADHESIVE-BACKED GASKET SEAL CONTINUOUS AROUND COVER.
- ⑦ SPRING: GAS SPRINGS WITH DAMPER DESIGNED TO OPEN AGAINST A 10 PSF SNOW LOAD IN NOT LESS THAN 2 SECONDS.
- ⑧ HINGE: PINTLE HINGE WITH STAINLESS STEEL HINGE PINS.
- ⑨ HOLD OPEN ARM: ZINC PLATED STEEL AUTOMATIC HOLD OPEN ARM LOCKS COVER IN FULLY OPEN POSITION

- ⑩ LATCH: ZINC PLATED STEEL ROTARY LATCH ASSEMBLY DESIGNED TO HOLD COVER CLOSED AGAINST 90 PSF WIND UPLIFT, ZINC PLATED STEEL LATCH STRIKE ON COVER
- ⑪ THERMAL RELEASE MECHANISM: VENT COVER OPENS THERMALLY BY HEAT AT FUSIBLE LINK TEMPERATURE
- ⑫ MANUAL OPERATION: VENT COVER OPENS WITH INTERNAL AND EXTERNAL MANUAL PULL HANDLES, 1/16" DIA SST CABLE, CLOSE VENT AT ROOFTOP

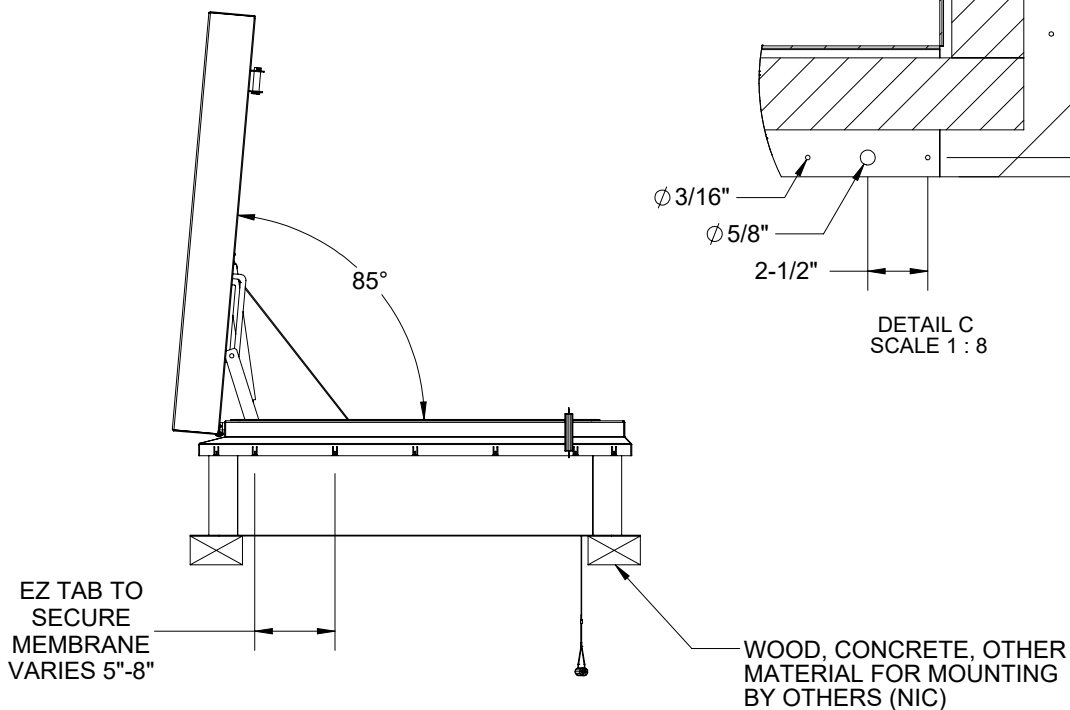
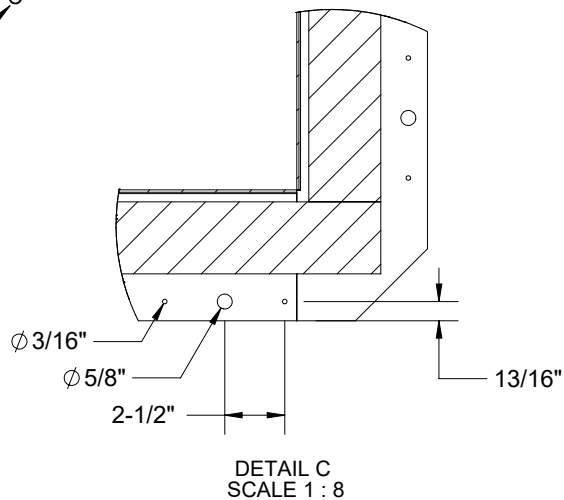
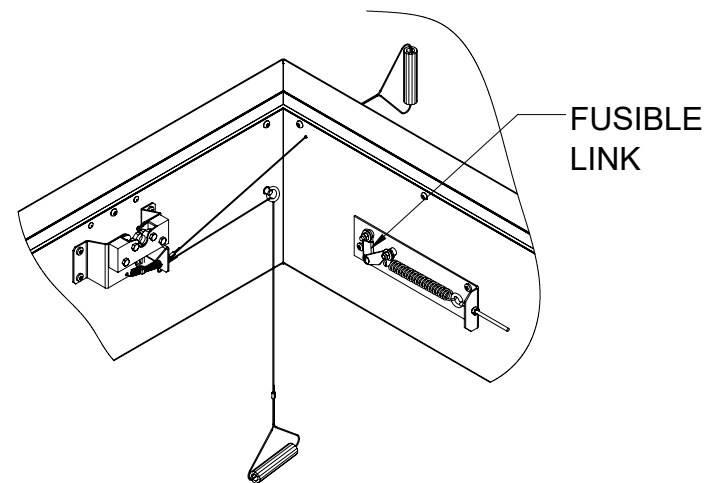
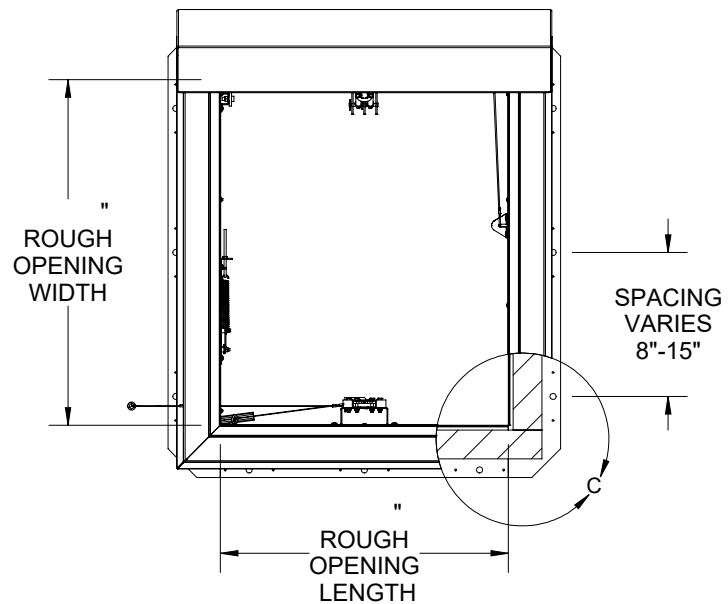
**SMOKE VENT SIZE:**     " (WIDTH) x     " (LENGTH)

**OPTIONS**  
Double Wall Curb

**UL US**  
LISTED  
UL793

PROPRIETARY AND CONFIDENTIAL: THE INFORMATION CONTAINED IN THIS DRAWING IS THE SOLE PROPERTY OF NYSTROM. ANY REPRODUCTION IN PART OR AS A WHOLE WITHOUT THE WRITTEN PERMISSION OF NYSTROM IS PROHIBITED. ©2020 NYSTROM, INC.

PROJECT:			
ARCHITECT:			
CONTRACTOR:			
QTY:			
PART#:			
		TITLE:	
		9300 73rd Avenue North Minneapolis, MN 55428	
NAME	DATE	SIZE	DWG. NO.
DRAWN		A	Nystrom SV SVTA_X_S_N_R ShpDr
RELEASED		WEIGHT:	SHEET 1 OF 2



			TITLE:		
9300 73rd Avenue North Minneapolis, MN 55428					
NAME	DATE	SIZE	DWG. NO.	REV	
DRAWN		A	Nystrom SV SVTA_X_S_N_R ShpDr	A	
RELEASED		WEIGHT:	SHEET 2 OF 2		