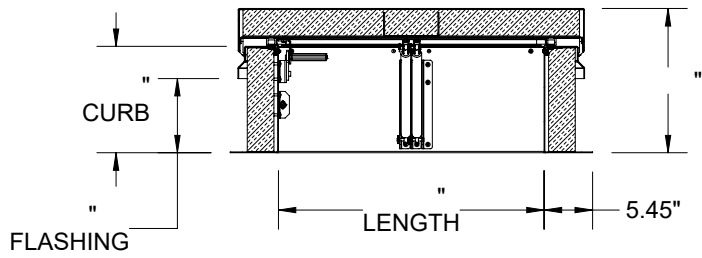
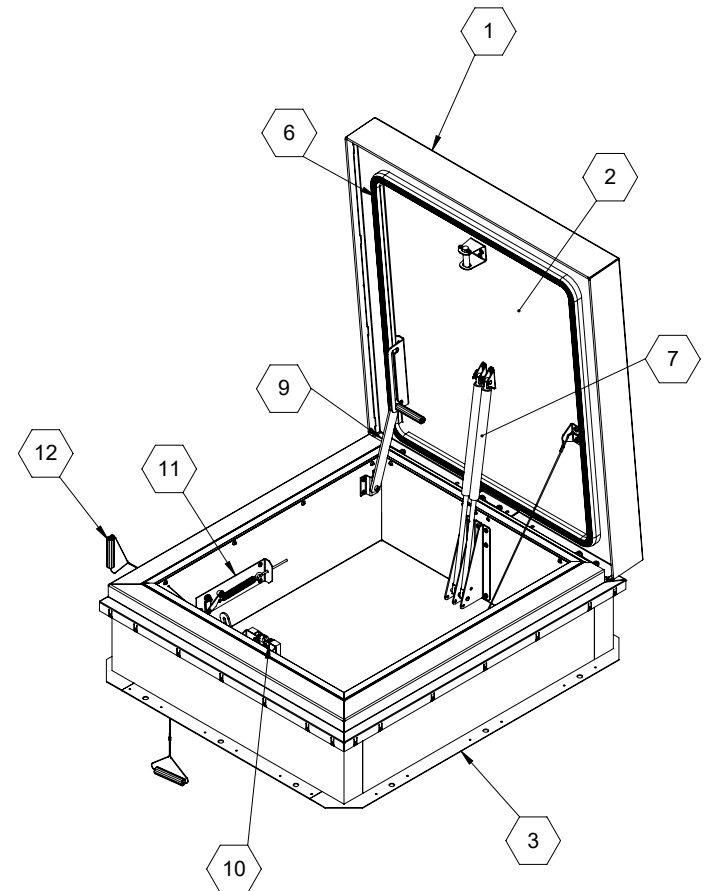


SECTION A-A



SECTION B-B



SPECIFICATIONS:

- ① **COVER:** 11 GA (.090") ALUM, STIFFENED TO WITHSTAND A LIVE LOAD OF 40 PSF WITH A MAX DEFLECTION OF 1/150 OF THE SPAN
- ② **LINER:** 11 GA (.090") ALUM
- ③ **CURB:** 11 GA (.090") ALUM, CURB COUNTERFLASH WITH EZ TABS.
- ④ **FINISH:** MILL
- ⑤ **INSULATION:** 3" POLYISO R-20+ IN CURB, 3" POLYISO R-20+ IN COVER.
- ⑥ **GASKET:** EXTRUDED EPDM RUBBER ADHESIVE-BACKED GASKET SEAL CONTINUOUS AROUND COVER.
- ⑦ **SPRING:** GAS SPRINGS WITH DAMPER DESIGNED TO OPEN AGAINST A 10 PSF SNOW LOAD IN NOT LESS THAN 2 SECONDS.
- ⑧ **HINGE:** PINTLE HINGE WITH STAINLESS STEEL HINGE PINS.
- ⑨ **HOLD OPEN ARM:** ZINC PLATED STEEL AUTOMATIC HOLD OPEN ARM LOCKS COVER IN FULLY OPEN POSITION

- ⑩ **LATCH:** ZINC PLATED STEEL ROTARY LATCH ASSEMBLY DESIGNED TO HOLD COVER CLOSED AGAINST 90 PSF WIND UPLIFT, ZINC PLATED STEEL LATCH STRIKE ON COVER
- ⑪ **THERMAL RELEASE MECHANISM:** VENT COVER OPENS THERMALLY BY HEAT AT FUSIBLE LINK TEMPERATURE
- ⑫ **MANUAL OPERATION:** VENT COVER OPENS WITH INTERNAL AND EXTERNAL MANUAL PULL HANDLES, 1/16" DIA SST CABLE, CLOSE VENT AT ROOFTOP
- ⑬ **ELECTRICAL RELEASE:** VENT COVER OPENS ELECTRICALLY WHEN ENERGIZED WITH

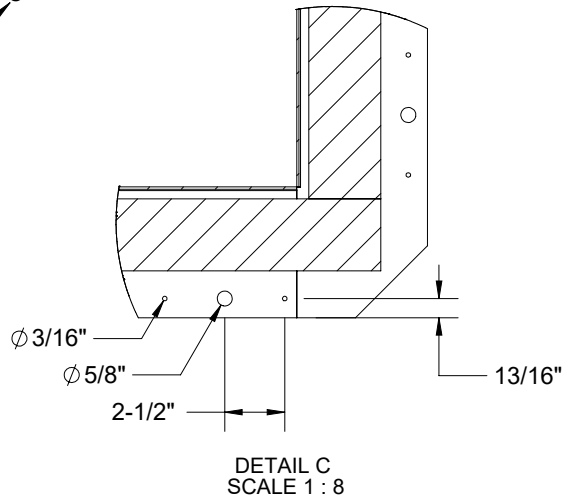
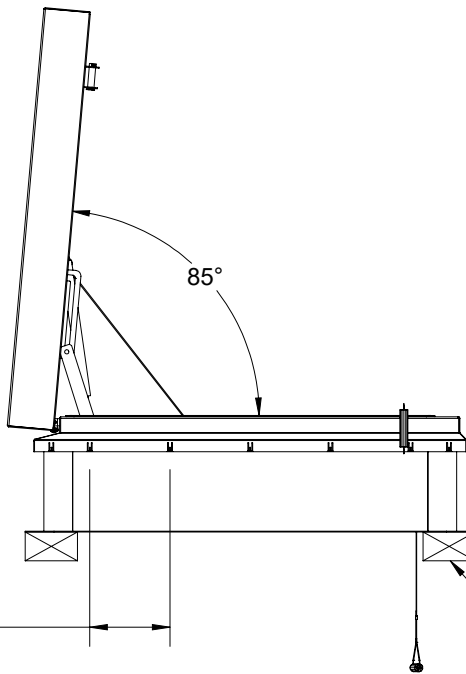
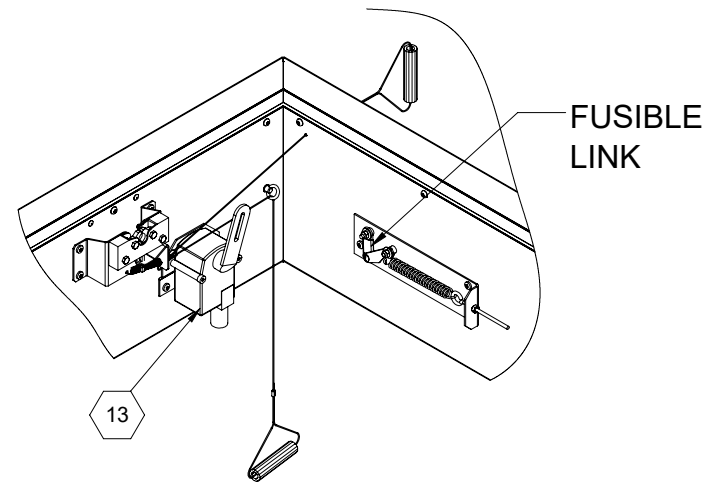
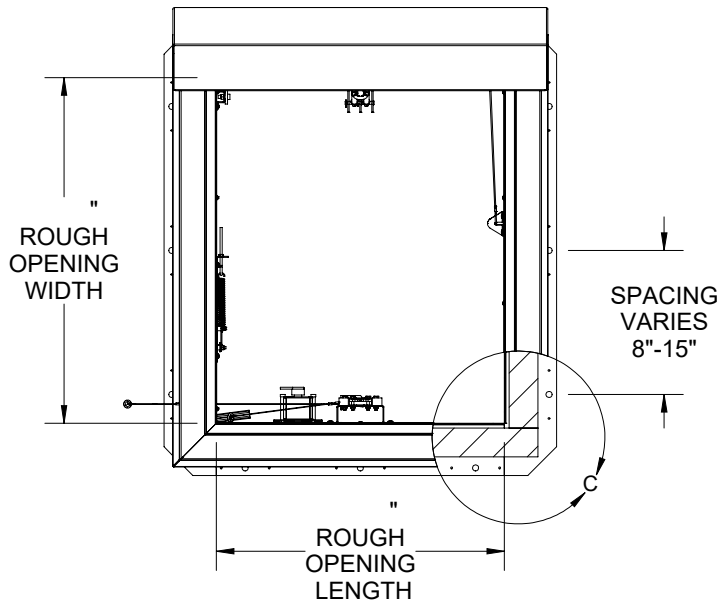
SMOKE VENT SIZE: " (WIDTH) x " (LENGTH)

OPTIONS

Double Wall Curb

UL US
LISTED
UL793

PROJECT:			
ARCHITECT:			
CONTRACTOR:			
QTY:			
PART#:			
		TITLE:	
		9300 73rd Avenue North Minneapolis, MN 55428	
NAME	DATE	SIZE	DWG. NO.
DRAWN		A	Nystrom SV SVTA_X_S__R ShpDr
RELEASED		WEIGHT:	SHEET 1 OF 2



WOOD, CONCRETE, OTHER MATERIAL FOR MOUNTING BY OTHERS (NIC)

			TITLE:		
9300 73rd Avenue North Minneapolis, MN 55428					
NAME	DATE	SIZE	DWG. NO.	REV	
DRAWN		A	Nystrom SV SVTA_X_S__R ShpDr	A	
RELEASED			WEIGHT:	SHEET 2 OF 2	