

8

7

6

5

4

3

2

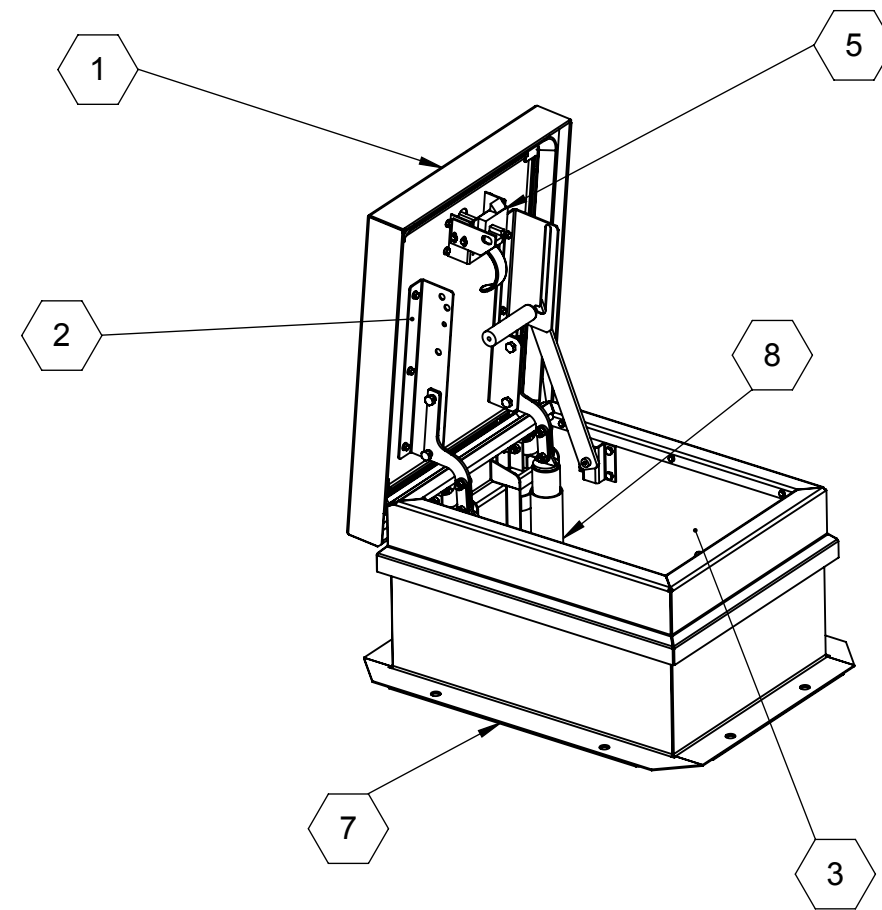
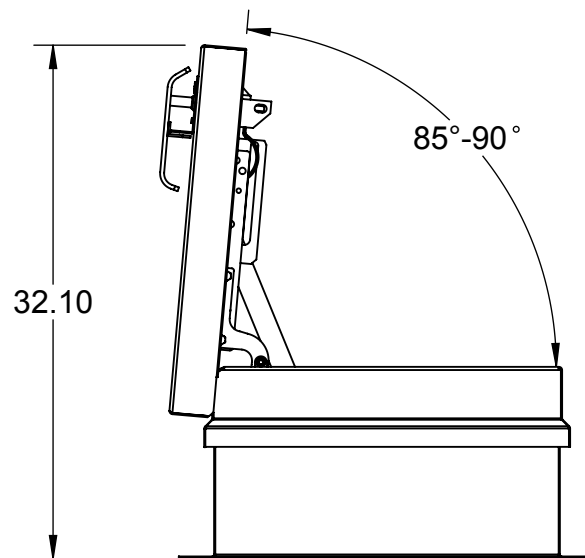
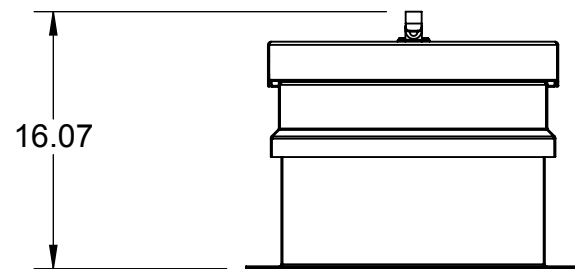
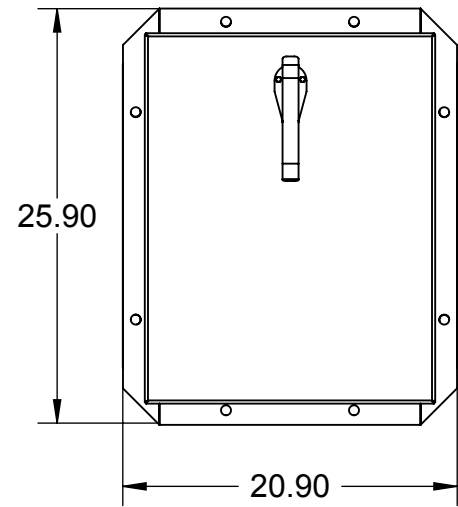
1

D

C

B

A



- ① COVER - 14 GAUGE STAINLESS STEEL COVER STIFFENED TO WITHSTAND A LIVE LOAD OF 40 PSF WITH A MAX DEFLECTION OF 1/150 OF THE SPAN. COVER WITHSTANDS A MAX WIND UPLIFT OF 20 PSF.
- ② LINER - 14 GAUGE STAINLESS STEEL
- ③ CURB - 14 GAUGE STAINLESS STEEL
- ④ HARDWARE - STAINLESS STEEL
- ⑤ LATCH - SINGLE POINT LATCH WITH PROVISION FOR PADLOCK SECURITY

- ⑥ INSULATION - 1" THICK IN COVER AND 1" THICK ON CURB PERIMETER
- ⑦ MOUNTING FLANGE - 3.45 INCHES
- ⑧ HINGE - STAINLESS STEEL TAMPER PROOF HINGE CONTAINED WITHIN HATCH AS PART OF SPRING ASSEMBLY
- 9. SPRING - GREASED HEAVY DUTY COMPRESSION SPRING.
- 10. FINISH - MILL
- 11. CURB OPENING - 19 X 14 INCHES MEASURE INSIDE CURB TO INSIDE CURB

RHES19X14S2T-OSS

		TITLE: Roof Hatch, Equipment Access, 19x14, Sngl Dr, SST Hdw SST 304, Mill, Dbl Wall Curb,			
		SIZE	DWG. NO.	REV	
DRAWN	DWO	5/2/12	B	RHES19X14S2T-OSS	A
RELEASED	DWO	5/2/12	WEIGHT: 257.42	SHEET 24 OF 25	

PROPRIETARY AND CONFIDENTIAL: THE INFORMATION CONTAINED IN THIS DRAWING IS THE SOLE PROPERTY OF NYSTROM. ANY REPRODUCTION IN PART OR AS A WHOLE WITHOUT THE WRITTEN PERMISSION OF NYSTROM IS PROHIBITED.

8

7

6

5

4

3

2

1

8

7

6

5

4

3

2

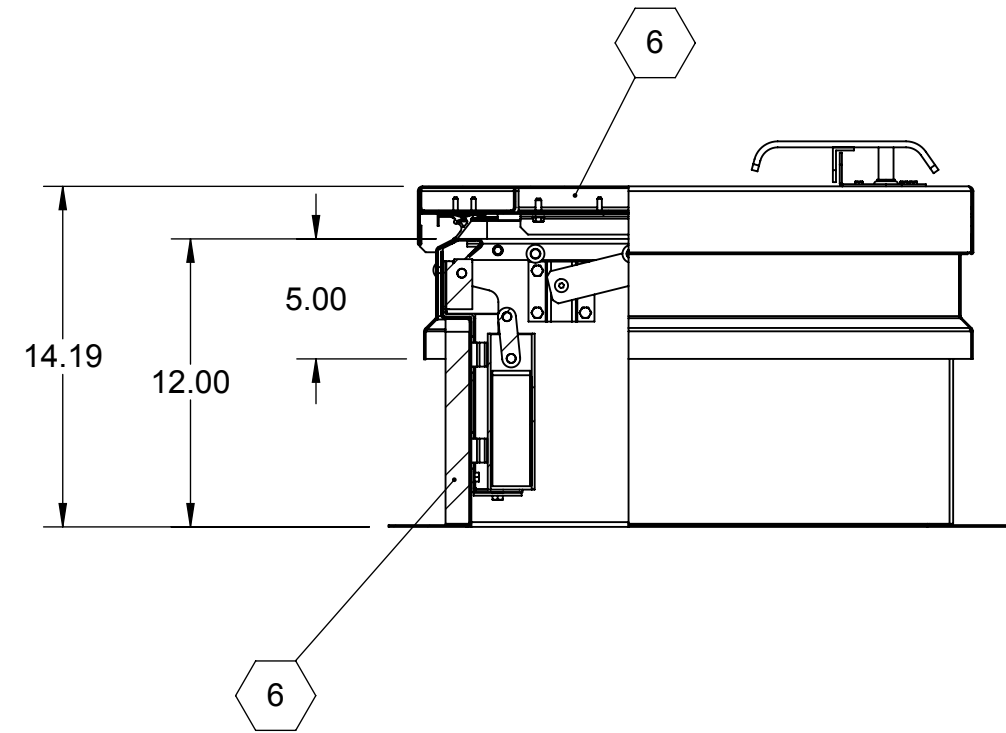
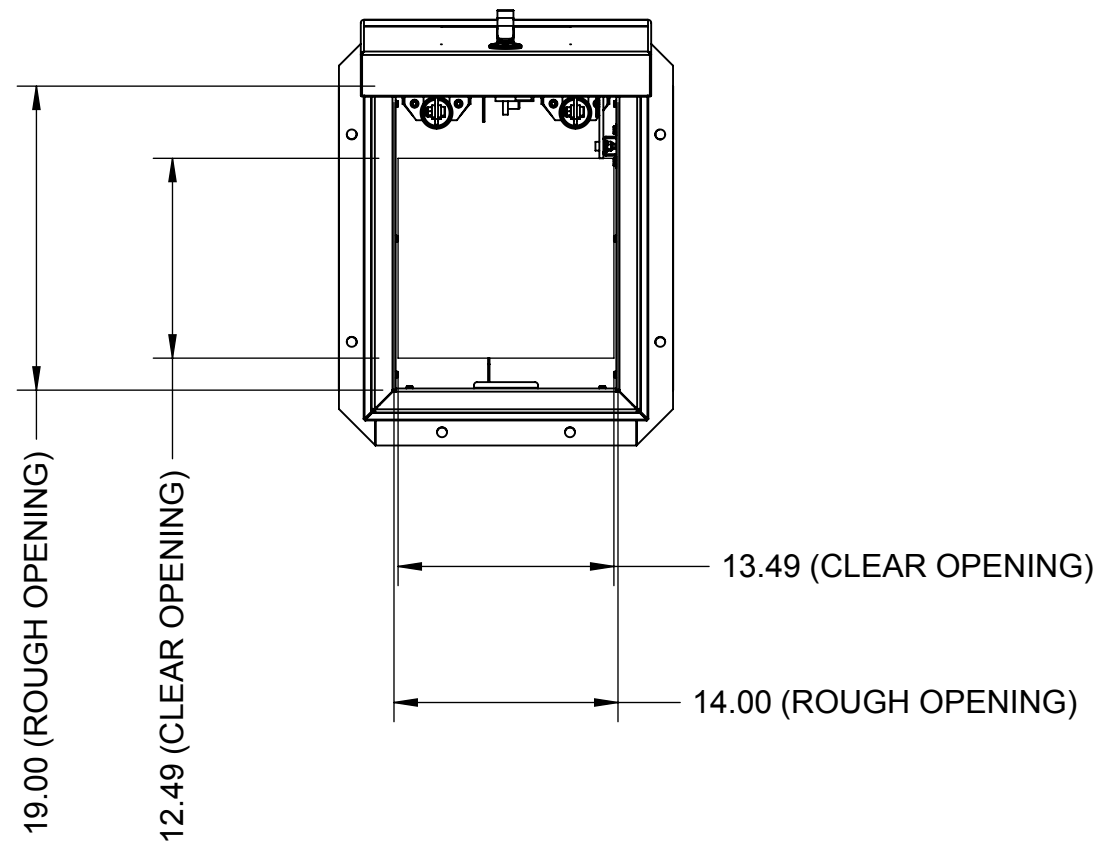
1

D

C

B

A

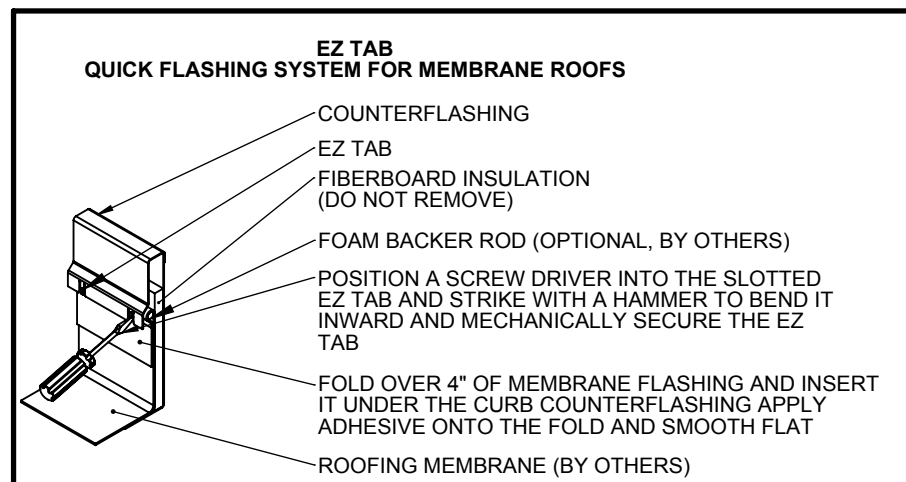


D

C

B

A



RHES19X14S2T-OSS

<p>Right to site. 9300 73rd Avenue North Brooklyn Park, MN 55428</p>			TITLE: Roof Hatch, Equipment Access, 19x14, Sngl Dr, SST Hdw SST 304, Mill, Dbl Wall Curb,		
			SIZE: B	DWG. NO.: RHES19X14S2T-OSS	REV: A
DRAWN: DWO	DATE: 5/2/12	RELEASED: DWO	DATE: 5/2/12	WEIGHT: 257.42	SHEET 25 OF 25

8

7

6

5

4

3

2

1