

SPECIFICATIONS:

- ① **COVER:** 11GA (.090)ALUMINUM, STIFFENED TO WITHSTAND A LIVE LOAD OF 40PSF WITH A MAX DEFLECTION OF 1/150 OF THE SPAN.
- ② **CURB:** 11GA (.090)ALUMINUM CURB COUNTERFLASH WITH EZ TABS.
- ③ **FINISH:** MILL
- ④ **INSULATION:** 1" POLYISO R-6 (5.6 LTR) IN CURB, 1" POLYSTYRENE R-4 (3.8 LTR) IN COVER.
- ⑤ **GASKET:** EXTRUDED EPDM RUBBER ADHESIVE BACKED GASKET SEAL CONTINUOUS AROUND COVER.
- ⑥ **SPRING:** GAS SPRING WITH DAMPER FOR SMOOTH, CONTROLLED, COUNTERBALANCED LIFT ASSISTANCE.
- ⑦ **HINGE:** PINTLE HINGE WITH STAINLESS STEEL HINGE PINS.
- ⑧ **HOLD OPEN ARM:** ZINC PLATED STEEL AUTOMATIC HOLD OPEN ARM LOCKS COVER IN FULLY OPEN POSITION WITH RED POLYPROPYLENE GRIP HANDLE PULL RELEASE.


- ⑨ **LATCH:** ZINC PLATED STEEL SLAM LATCH, HOLDS COVER CLOSED AGAINST 20PSF WIND UPLIFT, INTERIOR AND EXTERIOR TURN HANDLES WITH PADLOCK HASPS.
- ⑩ **PULL HANDLE:** INTERIOR PULL DOWN HANDLE, SAFETY YELLOW POWDER COAT

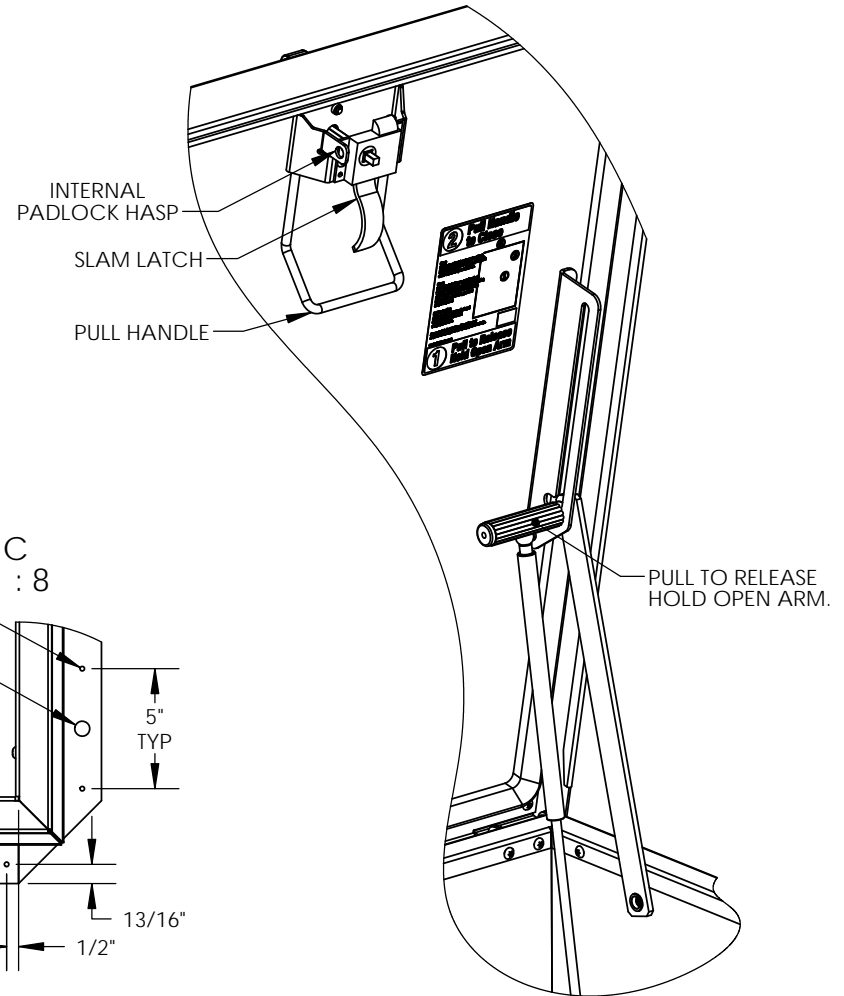
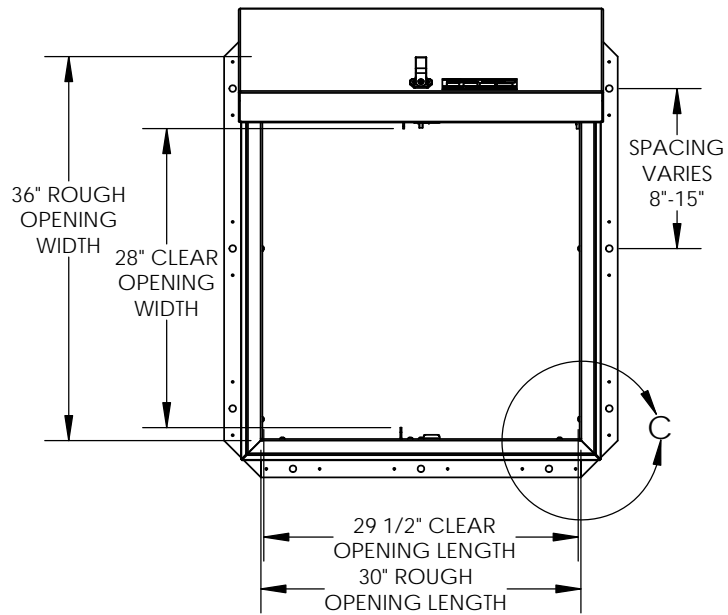
NOTES:

-WHEN INSTALLING ON A PITCHED ROOF UP TO 7:12, THE HINGE SIDE(LENGTH)MUST BE PARALLEL TO THE SLOPE.
 - WIDTH X LENGTH DIMENSIONS ARE MEASURED INSIDE CURB TO INSIDE CURB. THE WIDTH IS HINGE TO LATCH AND LENGTH IS HINGED SIDE.

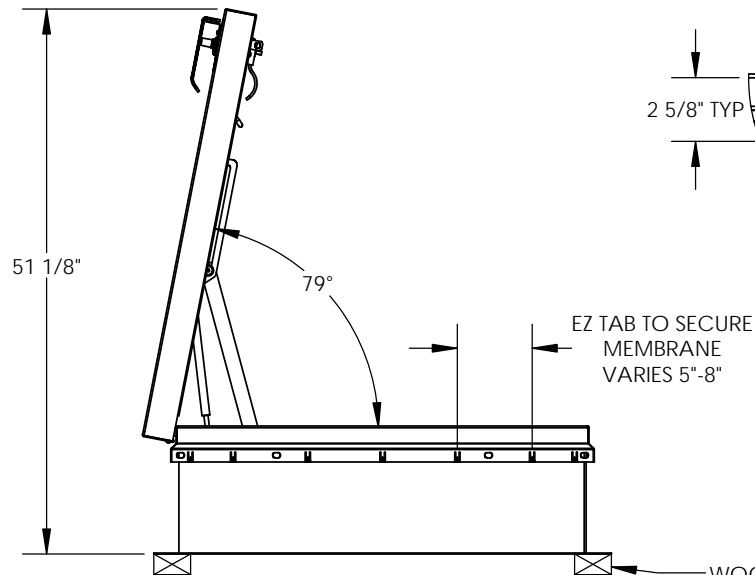
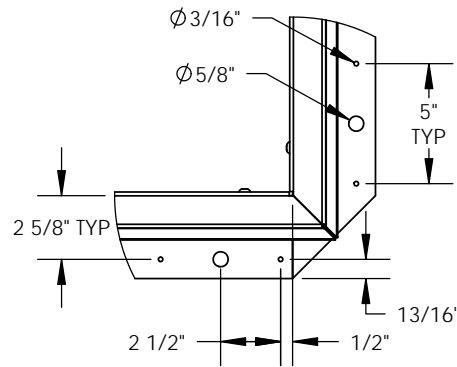
ROOF HATCH SIZE 36" (WIDTH) x 30" (LENGTH)
CLEAR OPENING 28"(WIDTH) x 29 1/2" (LENGTH)
ROUGH OPENING 36" (WIDTH) x 30" (LENGTH)

PROPRIETARY AND CONFIDENTIAL: THE INFORMATION CONTAINED IN THIS DRAWING IS THE SOLE PROPERTY OF NYSTROM. ANY REPRODUCTION IN PART OR AS A WHOLE WITHOUT THE WRITTEN PERMISSION OF NYSTROM IS PROHIBITED.

PROJECT:				
ARCHITECT:				
CONTRACTOR:				
QTY:				
PART:		A3630		
		TITLE:		
9300 73rd Avenue North Minneapolis, MN 55428		RHUA36X30S1T Roof Hatch Personnel II, 36x30, S Dr, Alum, Mill, Sngl Wall Curb		
NAME	DATE	SIZE	DWG. NO.	REV
DRAWN SGS	04/01/15	A	A3630	-
RELEASED IMT	04/01/15	WEIGHT: 63 lbs	SHEET 1 OF 2	



DETAIL C
SCALE 1 : 8



WOOD, CONCRETE, OTHER MATERIAL FOR MOUNTING BY OTHERS (NIC)

			TITLE: RHUA36X30S1T Roof Hatch Personnel II, 36x30, S Dr, Alum, Mill, Sngl Wall Curb		
9300 73rd Avenue North Minneapolis, MN 55428			SIZE A	DWG. NO. A3630	REV -
DRAWN SGS	NAME IMT	DATE 04/01/15	RELEASED	WEIGHT: 63 lbs	SHEET 2 OF 2