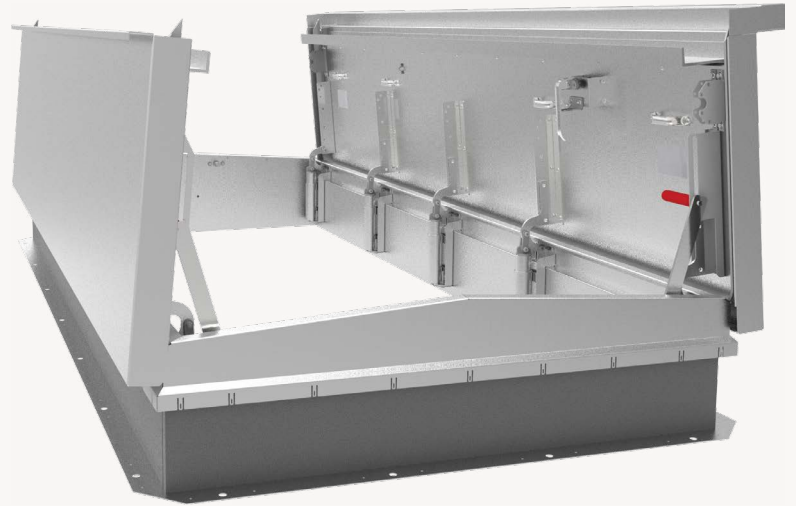


# Equipment

## HATCH

Nystrom's Equipment Roof Hatch is engineered to accommodate extra large equipment access through roofs. With options like curb mounting and varied curb heights Nystrom is sure to meet your equipment servicing needs.



### FEATURES

**LARGEST CLEAR OPENING** Industry's largest clear opening allows equipment up to 160 by 240 inches to be installed and serviced through the roof of your building.

**STAINLESS STEEL MATERIAL** Upgrade to corrosion resistant Type 304 stainless steel for corrosive environments such as waste water treatment facilities and coastal areas.

### DETAILS

#### MATERIAL

- Aluminum: 11 gauge, mill finish
- Steel: 14 gauge galvanized, ANSI 70 Gray powder coat
- Stainless Steel: Type 304 14 gauge, 2B matte finish

**COVER** Formed metal cover withstands a live load of 40psf with a max deflection of 1/150 the span

**CURB** Single wall curb with EZ tab counterflash and mounting flange

**INSULATION** 1 inch polystyrene in cover, 1 inch polyiso around curb

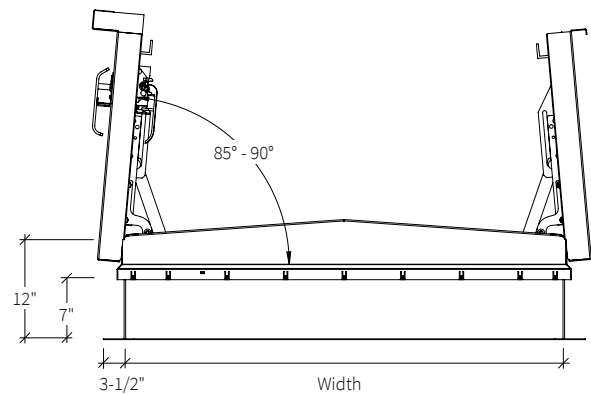
**GASKET** Extruded EPDM adhesive backed gasket seal continuous around cover

**SPRING/HINGE ASSEMBLY** Zinc plated steel tamper-proof hinge contained within spring assembly, includes steel compression spring

**HOLD OPEN ARM** Zinc plated steel automatic hold open arm with red vinyl grip handle locks cover in open position

**LATCH** Zinc plated steel latch with exterior and interior turn handles and padlock hasps

### FINISHES



### STANDARD MODELS

GALVANIZED STEEL	ALUMINUM	STAINLESS STEEL	SIZE (IN.)	DOOR	CURB
RHEG48X48S1T	RHEA48X48S1T	RHES48X48S1T	48 x 48	Single	Single Wall
RHEG60X60D1T	RHEA60X60D1T	RHES60X60D1T	60 x 60	Double	Single Wall
RHEG72X72D1T	RHEA72X72D1T	RHES72X72D1T	72 x 72	Double	Single Wall
RHEG60X120D1T	RHEA60X120D1T	RHES60X120D1T	60 x 120	Double	Single Wall

Additional sizes and options available, call for more information.