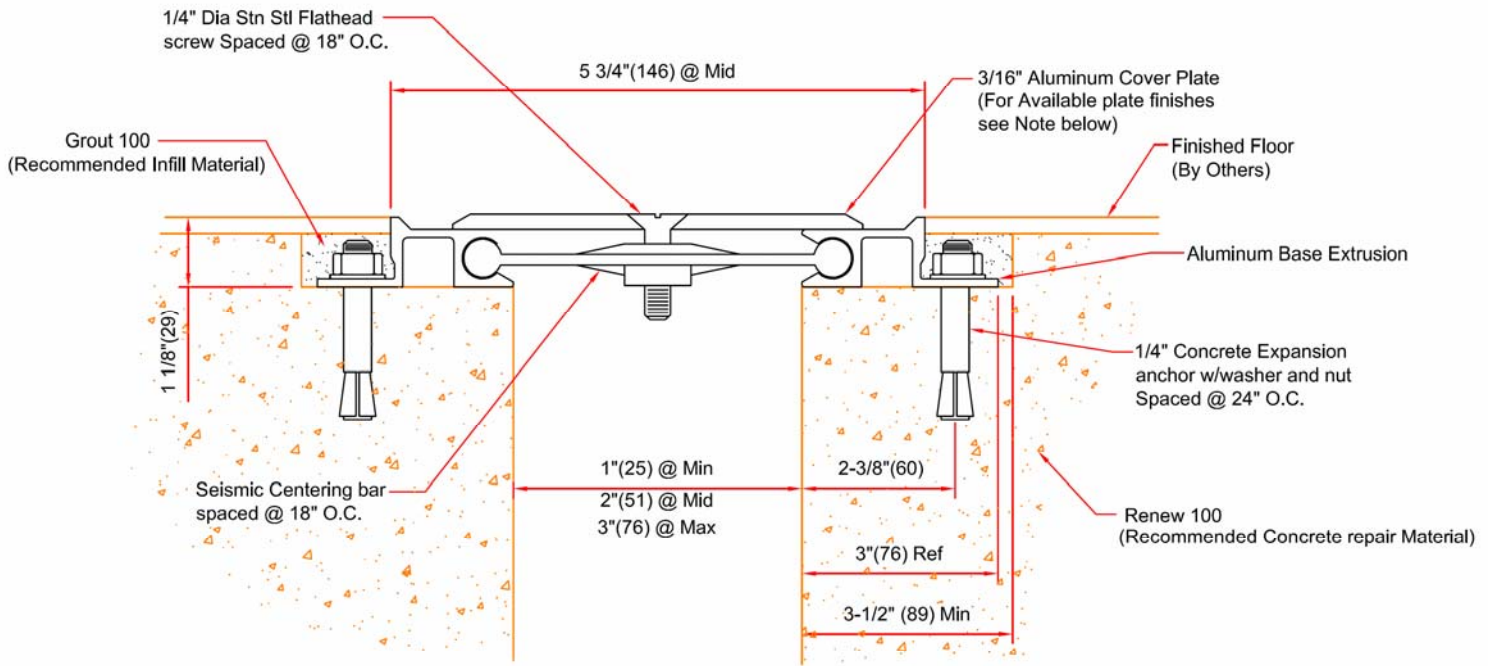



# EJ-SFG-200

## Expansion joint cover for floors

### Floor to floor condition, 2 inch joint opening



**EJ-SFG-200 DETAIL**  
FLOOR TO FLOOR CONDITION

Note:  Exposed Surface

- For openings up to 6" - Plate supplied with grooved surface/mill finish

Note: Minimum And Maximum Values Are After Movement Occurs. Mid Point Value Is The Recommended Size Of Opening At Installation.