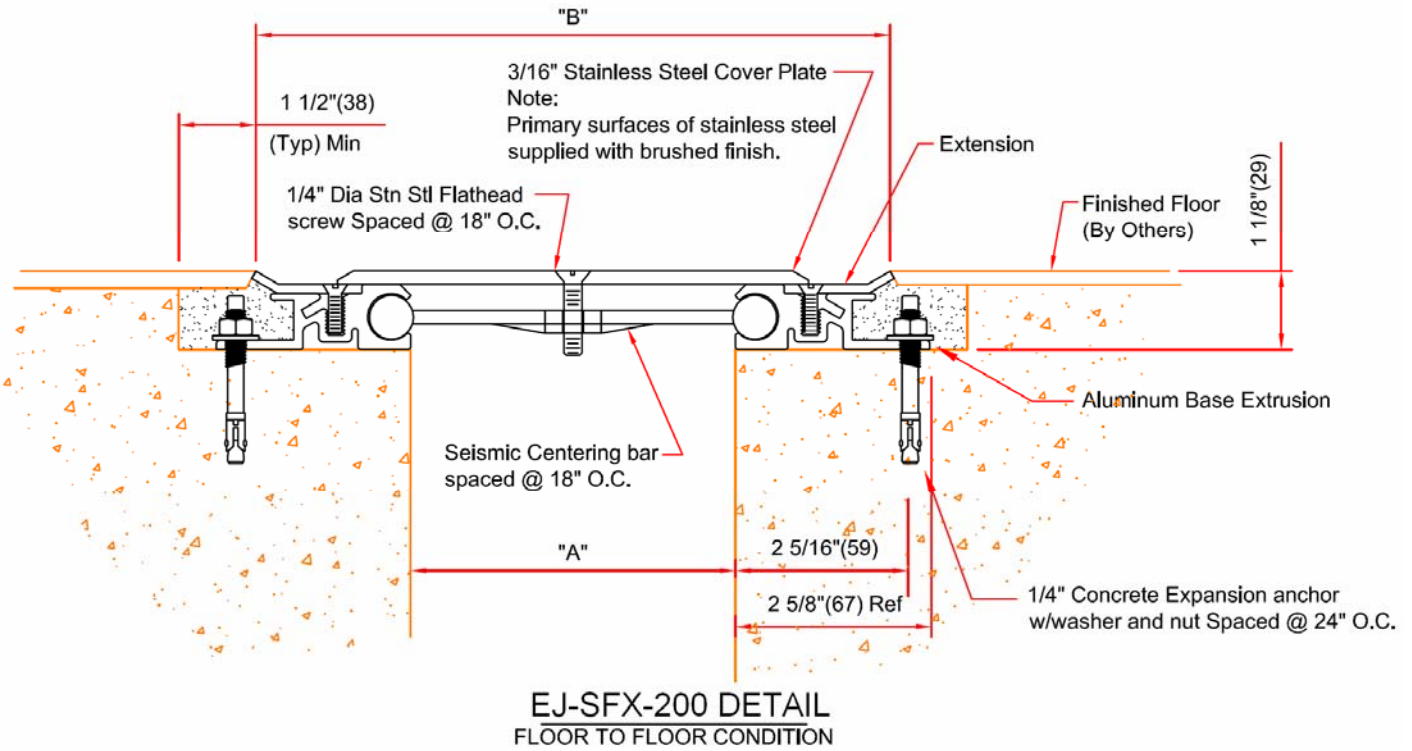


# EJ-SFX-200

Expansion joint cover for floors

Floor to floor condition, 2 inch joint opening



( ) - Denotes Millimeters

DIMENSION CHART					
Model	"A" @ Min.	"A" @ Mid	"A" @ Max.	"B"	Total Movement
EJ-SFX-200	1" (25)	2"(51)	3"(76)	6 1/4"(159)	2"(51)

Note: Minimum And Maximum Values Are After Movement Occurs. Mid Point Value Is The Recommended Size Of Opening At Installation.