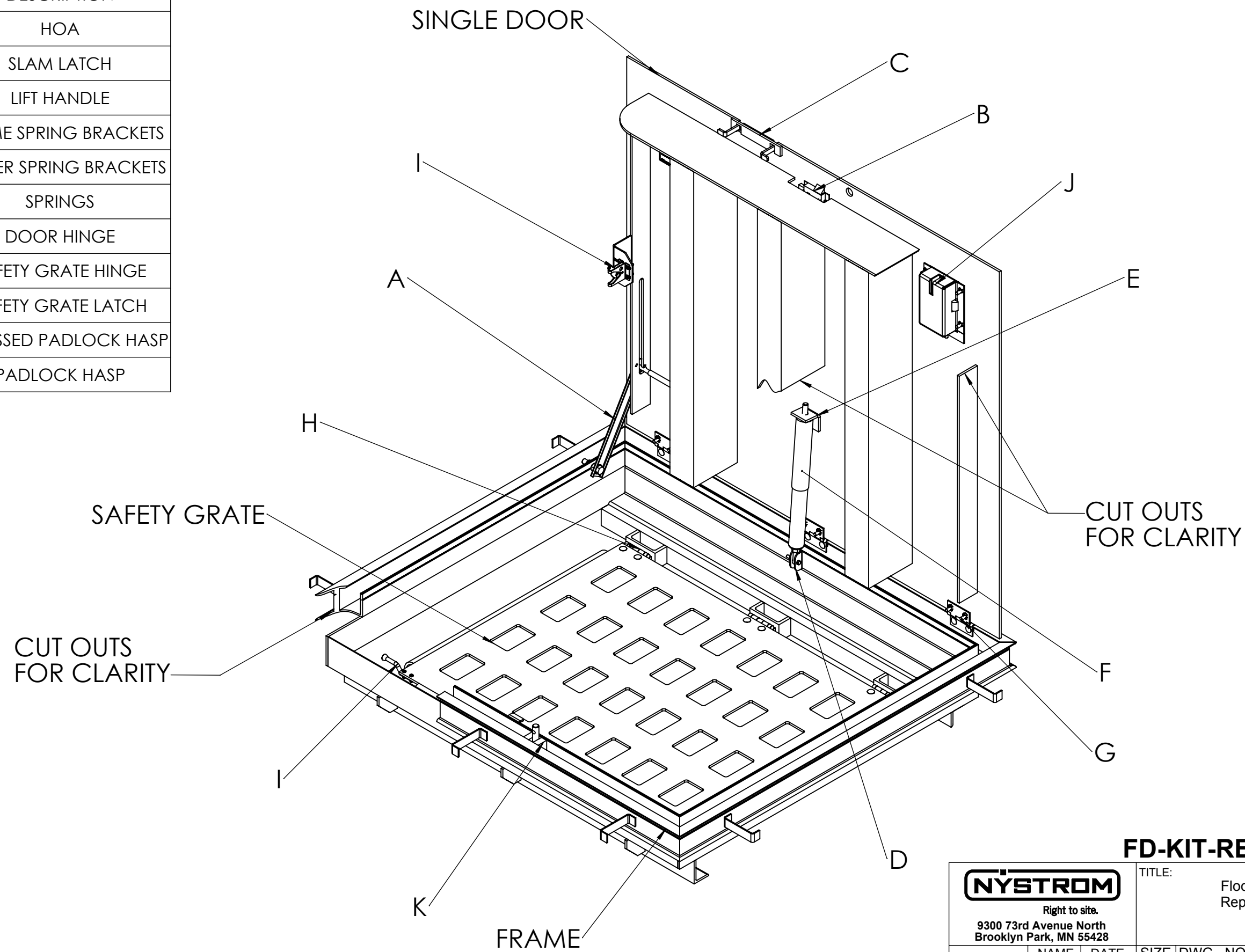


DETAIL	SHEET	DESCRIPTION
A	2	HOA
B	3	SLAM LATCH
C	4	LIFT HANDLE
D	5	FRAME SPRING BRACKETS
E	6	COVER SPRING BRACKETS
F	7	SPRINGS
G	8	DOOR HINGE
H	9	SAFETY GRATE HINGE
I	10	SAFETY GRATE LATCH
J	11	RECESSED PADLOCK HASP
K	12	PADLOCK HASP

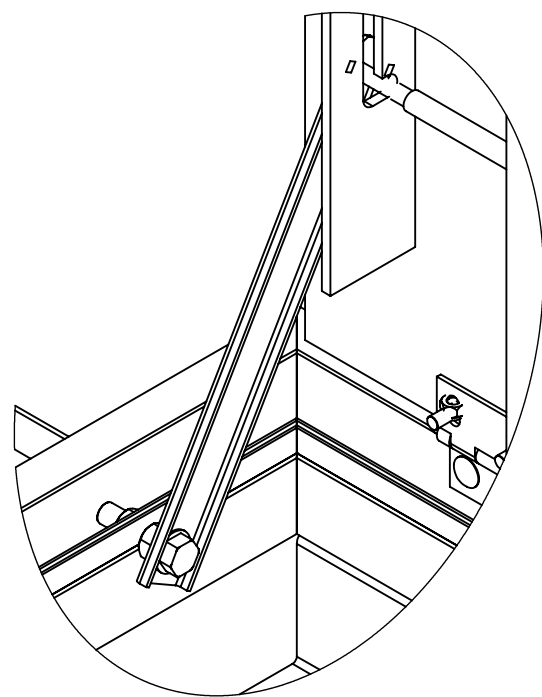


FD-KIT-RETRO

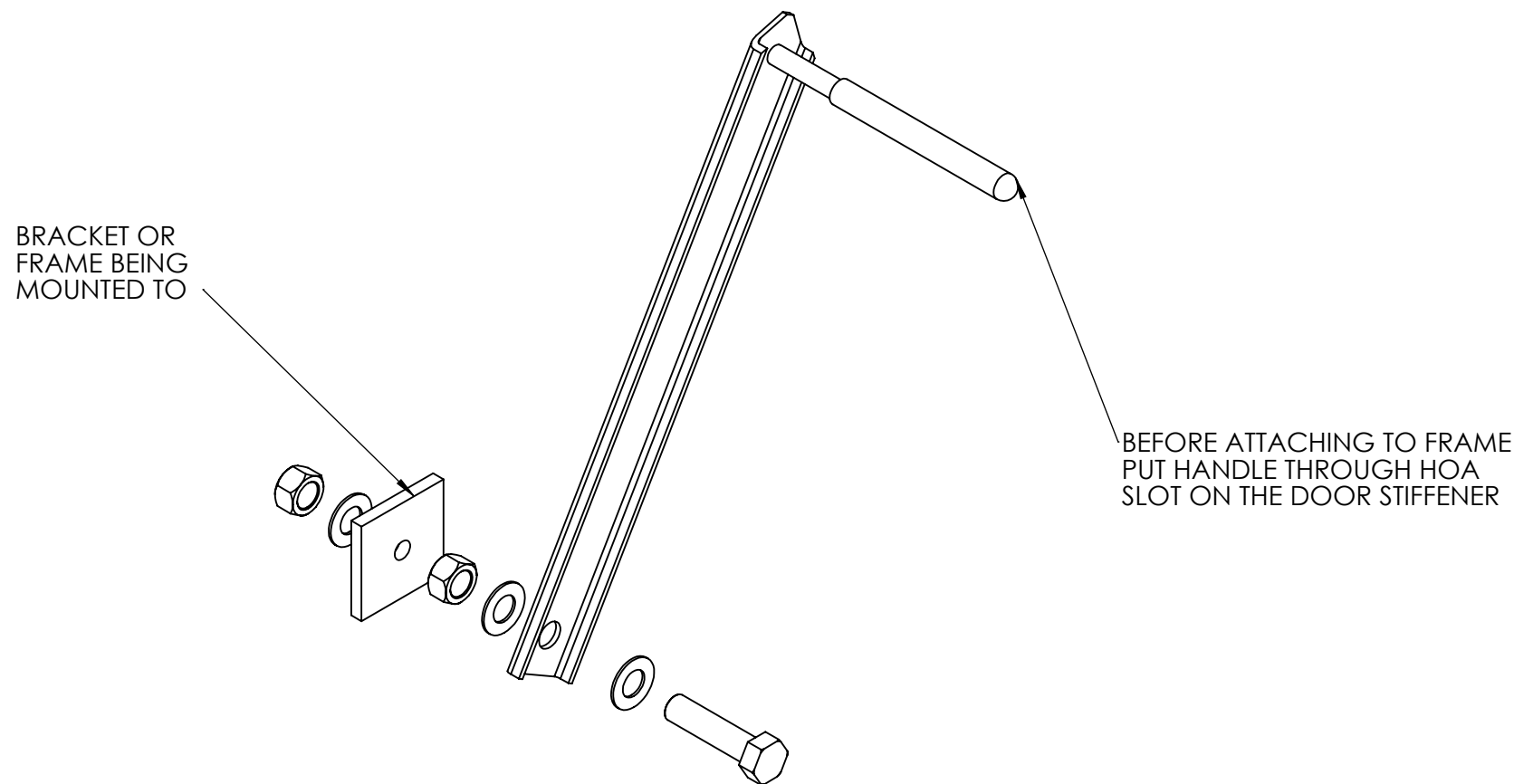
NYSTROM
 Right to site.
 9300 73rd Avenue North
 Brooklyn Park, MN 55428

TITLE:		Floor Door, Retro Drawing Replacement Part Drawing		
NAME	DATE	SIZE	DWG. NO.	REV
DRAWN	BMH	12/22/10	B	FD-KIT-RETRO
RELEASED	MP	12/22/10		

REPLACEMENT PART NUMBER	FACTORY INSTALLED PART NUMBER	DESCRIPTION
FD-KIT-HOA	-	RETRO, PKG, HOA, SST, FH
-	9049	PKG, HOA, SST, FH




FACTORY INSTALLED VIEW

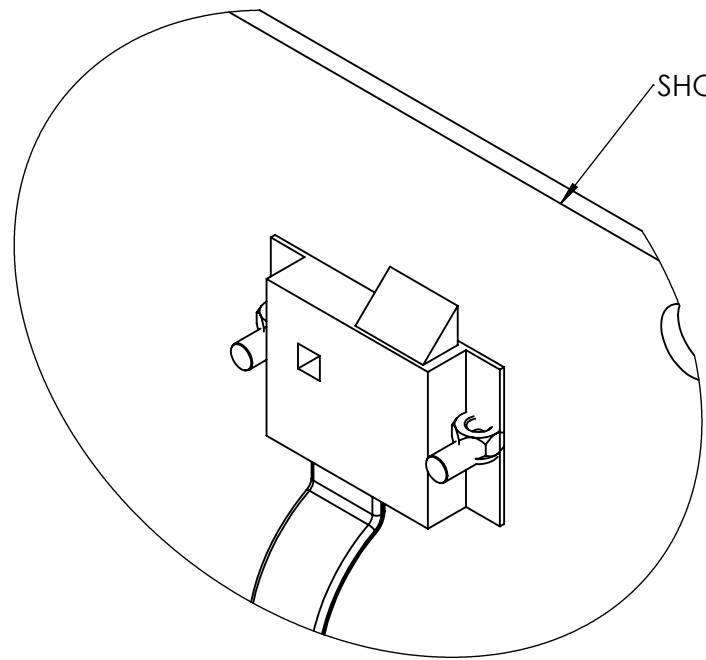


REPLACEMENT PART VIEW

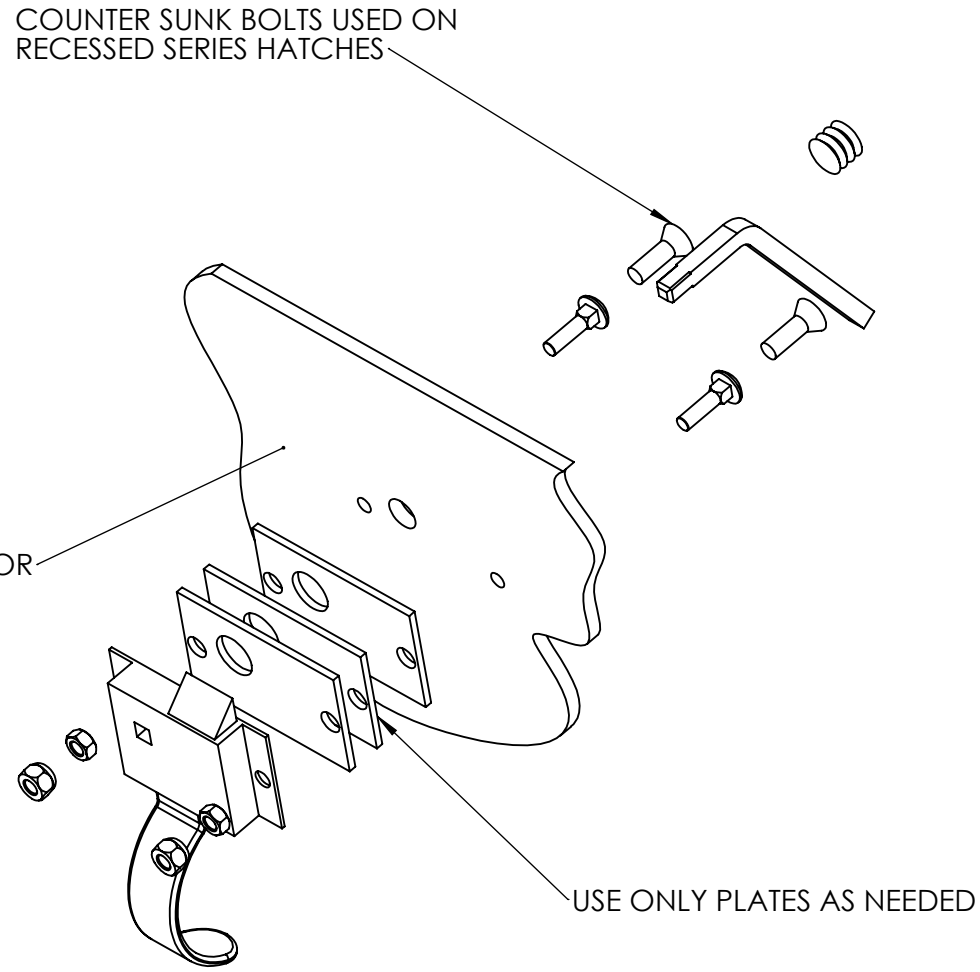
REPLACEMENT HOA

 Right to site. 9300 73rd Avenue North Brooklyn Park, MN 55428			TITLE: Floor Door, Retro Drawing Replacement Part Drawing		
			SIZE: B	DWG. NO.: FD-KIT-RETRO	REV: A
DRAWN: BMH	DATE: 12/22/10	SHEET 2 OF 12			
RELEASED: MP	DATE: 1/21/2011				

8	7	6	5
REPLACEMENT PART NUMBER	FACTORY INSTALLED PART NUMBER	DESCRIPTION	
FD-KIT-SLAMLATCH	-	RETRO, PKG, LATCH, SST, FH	
-	28145	PKG, SLAM LATCH, FH, 1/8" SPACER	
-	28146	PKG, SLAM LATCH, FH, 3/16" SPACER	
-	28147	PKG, SLAM LATCH, FH, 1/4" SPACER	
-	28148		
-	28149		



FACTORY INSTALLED VIEW

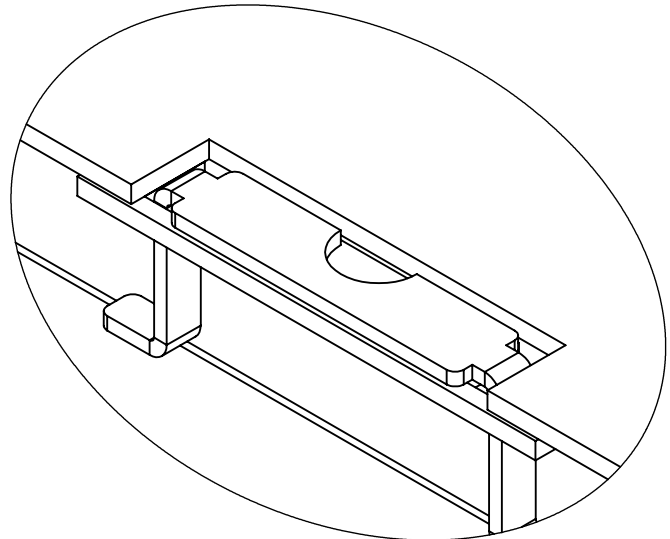


REPLACEMENT PART VIEW

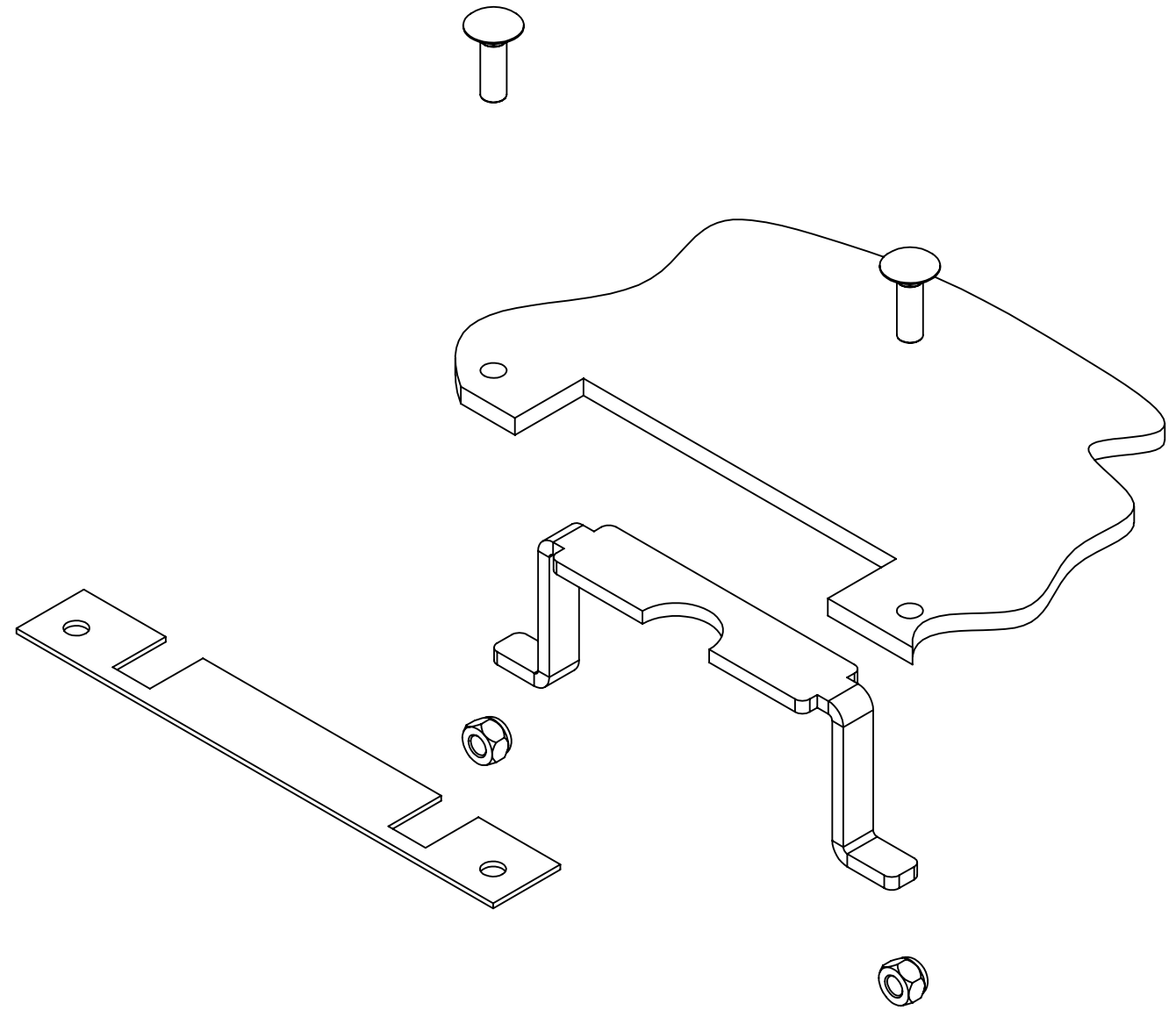
REPLACEMENT SLAM LATCH

<p>Right to site. 9300 73rd Avenue North Brooklyn Park, MN 55428</p>			TITLE: Floor Door, Retro Drawing Replacement Part Drawing		
	NAME	DATE	SIZE	DWG. NO.	REV
DRAWN	BMH	12/22/10	B	FD-KIT-RETRO	A
RELEASED	MP	1/21/2011			

8	7	6
REPLACEMENT PART NUMBER	FACTORY INSTALLED PART NUMBER	DESCRIPTION
FD-KIT-LIFTHANDLE	-	RETRO, PKG, LIFT HANDLE, SST
-	28162	PKG, LIFT HANDLE, ALUM
-	28163	PKG, LIFT HANDLE, CRS
-	28164	PKG, LIFT HANDLE, SST




FACTORY INSTALLED VIEW

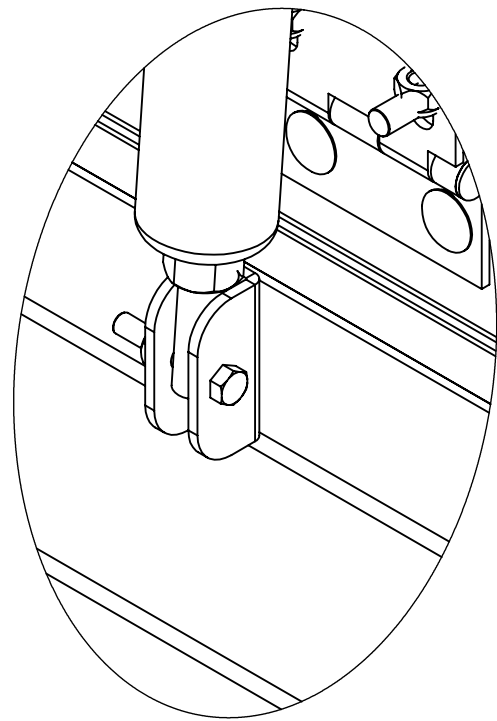


REPLACEMENT PART VIEW

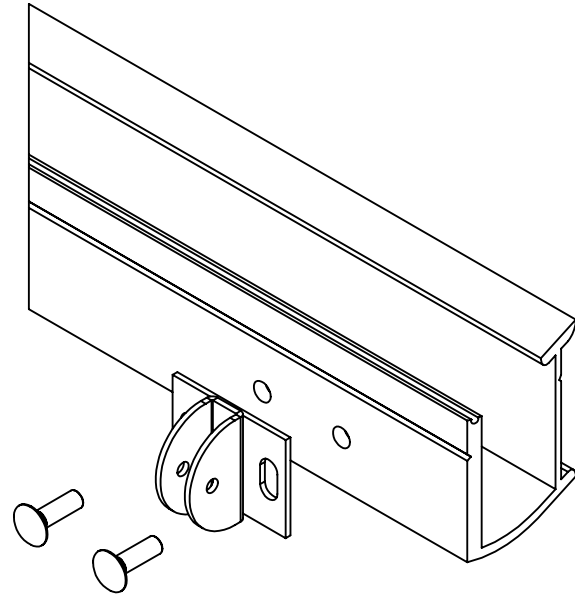
REPLACEMENT LIFT HANDLE

 Right to site. 9300 73rd Avenue North Brooklyn Park, MN 55428			TITLE: Floor Door, Retro Drawing Replacement Part Drawing	
			SIZE: B	DWG. NO.: FD-KIT-RETRO
DRAWN: BMH	DATE: 12/22/10	SHEET 4 OF 12		
RELEASED: MP	DATE: 1/21/2011			

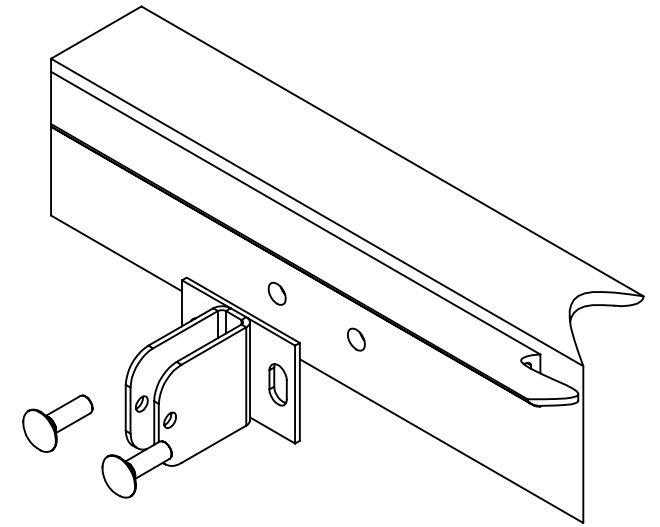
8	7	6	5
REPLACEMENT PART NUMBER	FACTORY INSTALLED PART NUMBER	DESCRIPTION	
FD-KIT-SPFRAMEMOUNT-ND	-	RETRO, PKG, SPRING MOUNT, SST, NON-DRAINABLE FRAME	
-	1832	BRKT, SPRING, FRAME, ALUM	
-	1916	BRKT, SPRING, FRAME, ALUM	
-	1977	BRKT, SPRING, FRAME, CRS, FGP	
FD-KIT-SPFRAMEMOUNT-D	-	FRAME	
-	1833	BRKT, SPRING, FRAME, CRS	
-	1972	BRKT, SPRING, FRAME, 316 SST, FGP	
-	2046	BRKT, SPRING, FRAME, 316 SST, FHS	



FACTORY INSTALLED VIEW



REPLACEMENT PART VIEW
DRAINABLE FRAME



REPLACEMENT PART VIEW
NON DRAINABLE FRAME

REPLACEMENT SPRING FRAME BRACKET



Right to site.
9300 73rd Avenue North
Brooklyn Park, MN 55428

TITLE:
Floor Door, Retro Drawing
Replacement Part Drawing

	NAME	DATE	SIZE	DWG. NO.	REV
DRAWN	BMH	12/22/10	B	FD-KIT-RETRO	A
RELEASED	MP	1/21/2011			

8	7	6	5
REPLACEMENT PART NUMBER	FACTORY INSTALLED PART NUMBER	DESCRIPTION	
FD-KIT-SPRINGCOVERMOUNT	-		
-	1895	BRKT, SPRING, DOOR, ALUM	
-	1910	BRKT, SPRING, DOOR, CRS	
-	1978	BRKT, SPRING, DOOR, 316 SST	

D

D

C

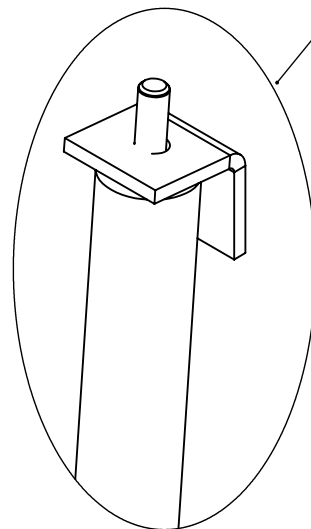
C

B

B

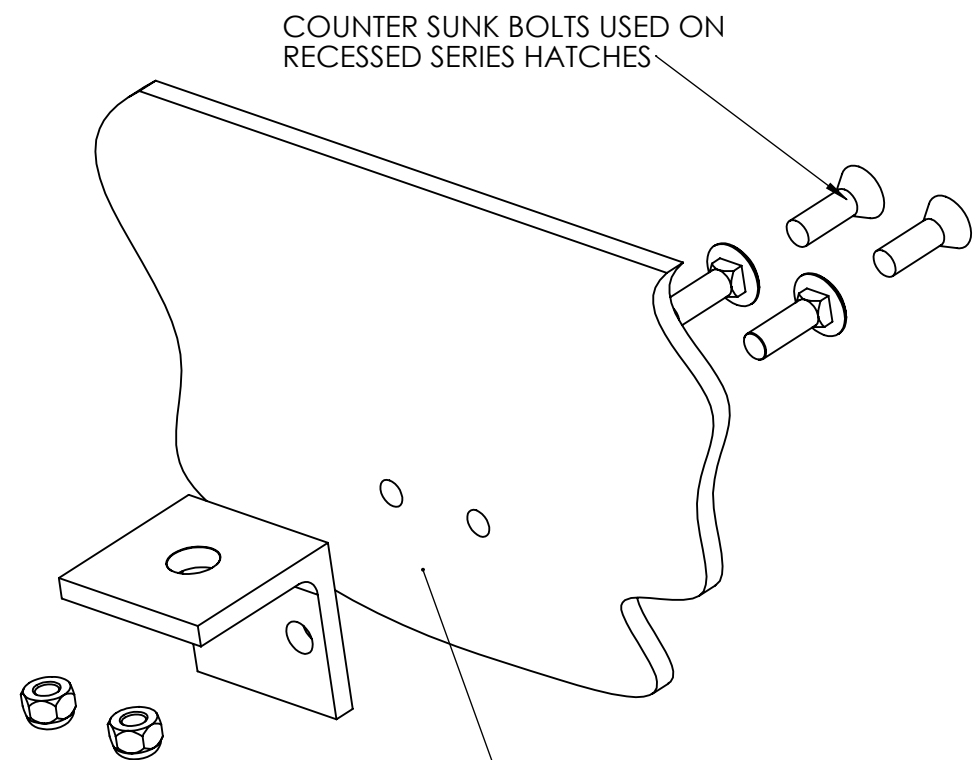
A

A



SHOWN HERE AS DOOR OPEN WITH ON WELDED BRACKET

FACTORY INSTALLED VIEW



REPLACEMENT PART VIEW

REPLACEMENT SPRING COVER BRACKET



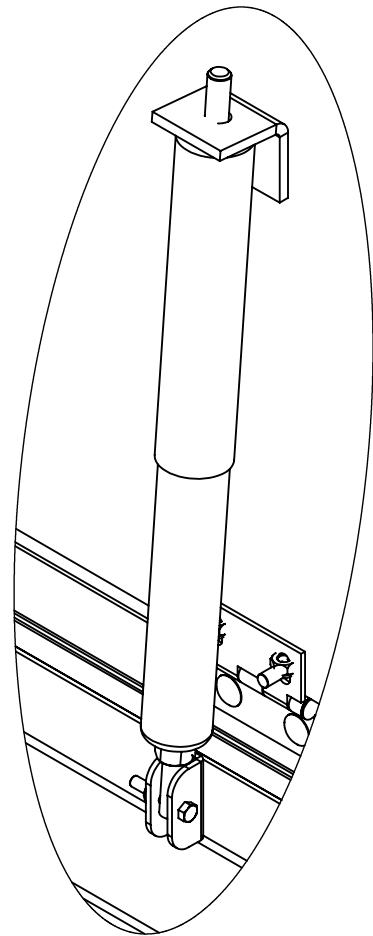
Right to site.
9300 73rd Avenue North
Brooklyn Park, MN 55428

TITLE: Floor Door, Retro Drawing
Replacement Part Drawing

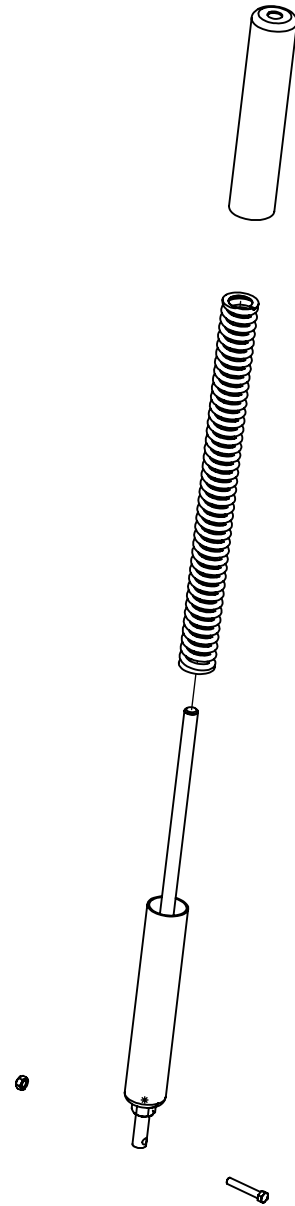
	NAME	DATE	SIZE	DWG. NO.	REV
DRAWN	BMH	12/22/10	B	FD-KIT-RETRO	A
RELEASED	MP	1/21/2011			

8	7	6	5	4	3	2	1
---	---	---	---	---	---	---	---

REPLACEMENT PART NUMBER	FACTORY INSTALLED PART NUMBER	DISCRIPTION
FD-KIT-SPRING80	-	RETRO, PKG, SPRING, 80 LB
-	28140	PKG, SPRING, 80 LB
FD-KIT-SPRING40	-	RETRO, PKG, SPRING, 40 LB
-	28139	PKG, SPRING, 40 LB




FACTORY INSTALLED VIEW

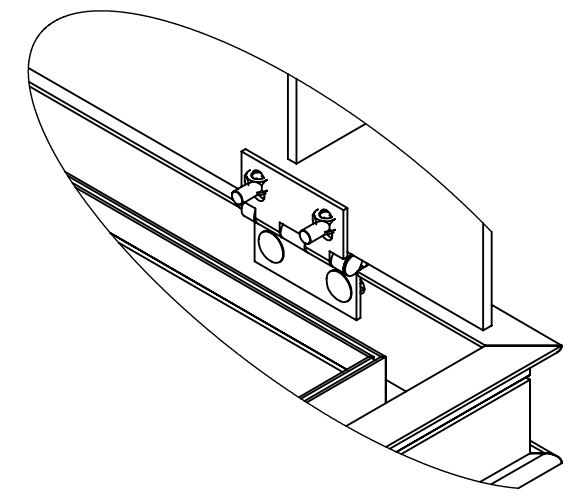


REPLACEMENT PART VIEW

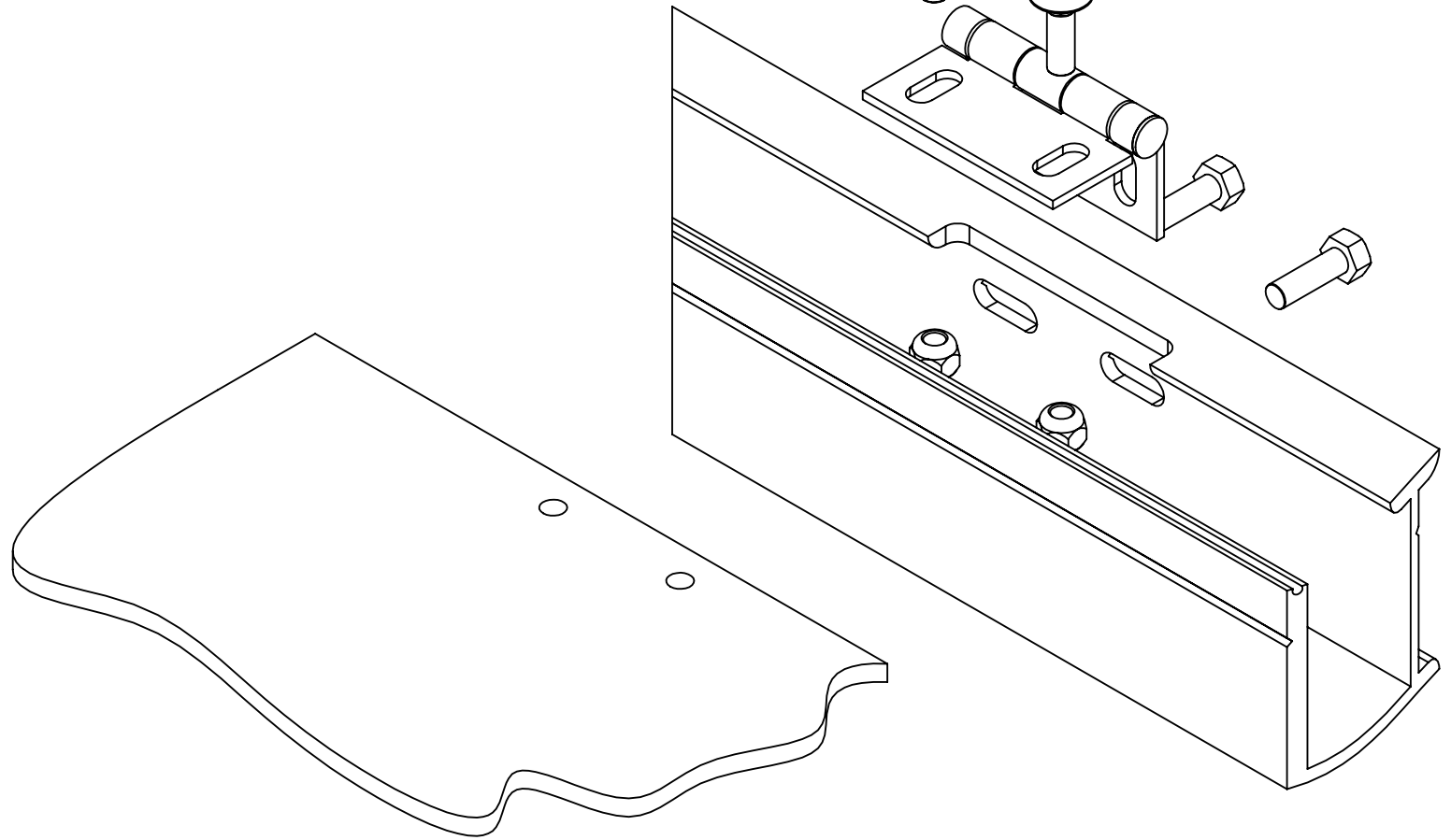
REPLACEMENT SPRING

 <p>Right to site. 9300 73rd Avenue North Brooklyn Park, MN 55428</p>			TITLE: Floor Door, Retro Drawing Replacement Part Drawing		
	NAME	DATE	SIZE	DWG. NO.	REV
DRAWN	BMH	12/22/10	B	FD-KIT-RETRO	A
RELEASED	MP	1/21/2011	SHEET 7 OF 12		

8	7	6
REPLACEMENT PART NUMBER	FACTORY INSTALLED PART NUMBER	DESCRIPTION
FD-KIT-HINGE	-	RETRO, PKG, HINGE, FD
-	28141	PKG, HINGE, NON RECESSED FD
-	28142	PKG, HINGE, RECESSED FD
-	28143	PKG, HINGE, NON RECESSED FD, WELDED
-	28144	PKG, HINGE, RECESSED FD, WELDED

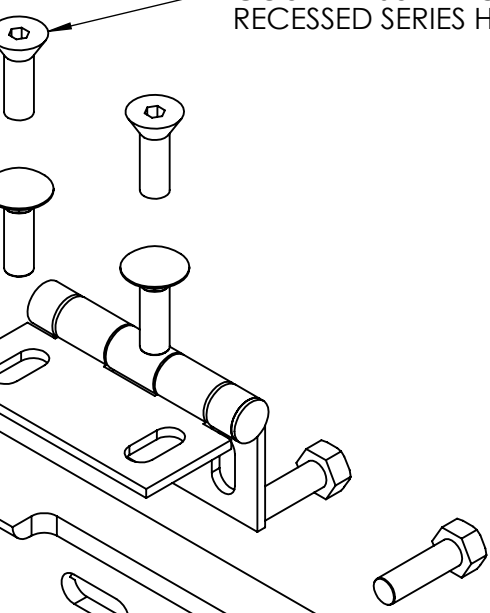


FACTORY INSTALLED VIEW




REPLACEMENT PART VIEW

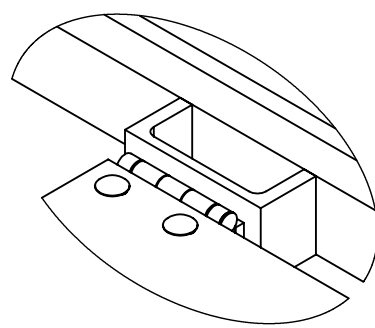
COUNTER SUNK BOLTS USED ON RECESSED SERIES HATCHES



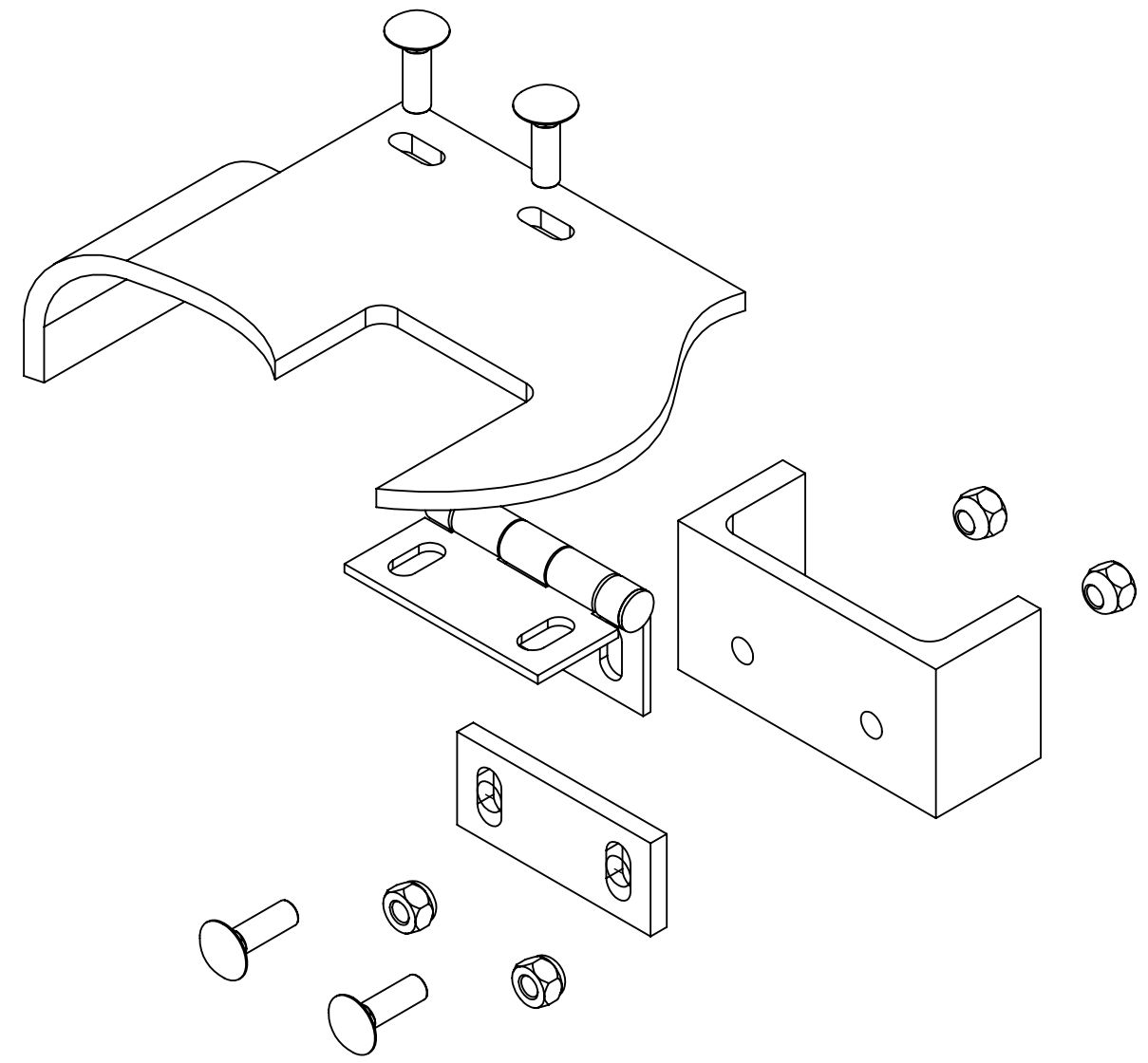
REPLACEMENT HINGE

			TITLE: Floor Door, Retro Drawing Replacement Part Drawing		
Right to site. 9300 73rd Avenue North Brooklyn Park, MN 55428			SIZE	DWG. NO.	REV
DRAWN	BMH	12/22/10	B	FD-KIT-RETRO	A
RELEASED	MP	1/21/2011			

8	7	6
REPLACEMENT PART NUMBER	FACTORY INSTALLED PART NUMBER	DESCRIPTION
FD-KIT-GRATEHINGE	-	RETRO, PKG, SAFETY GRATE HINGE
-	28300	PKG, RETRO, SAFETY GRATE HINGE, FD




FACTORY INSTALLED VIEW

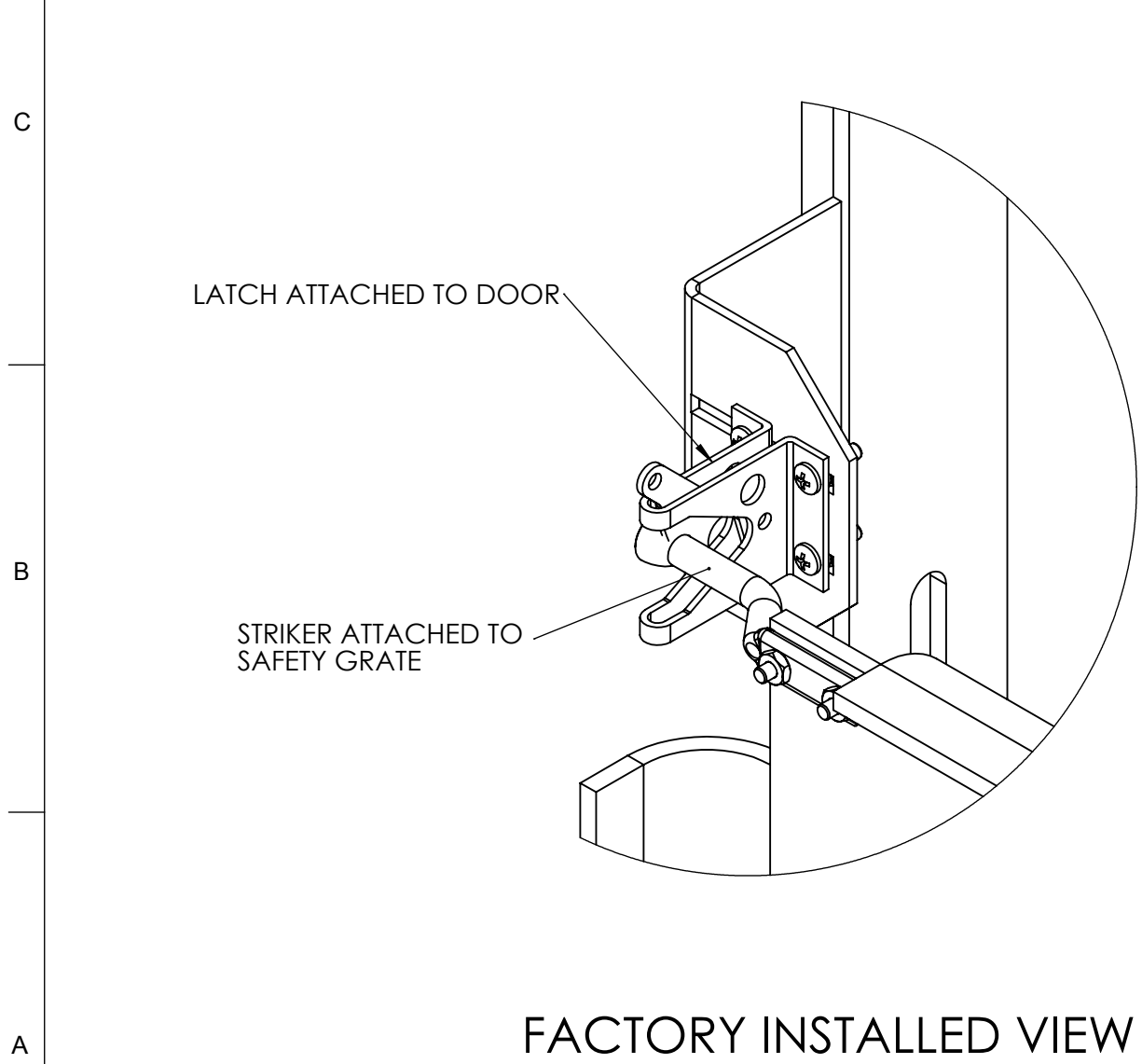


REPLACEMENT PART VIEW

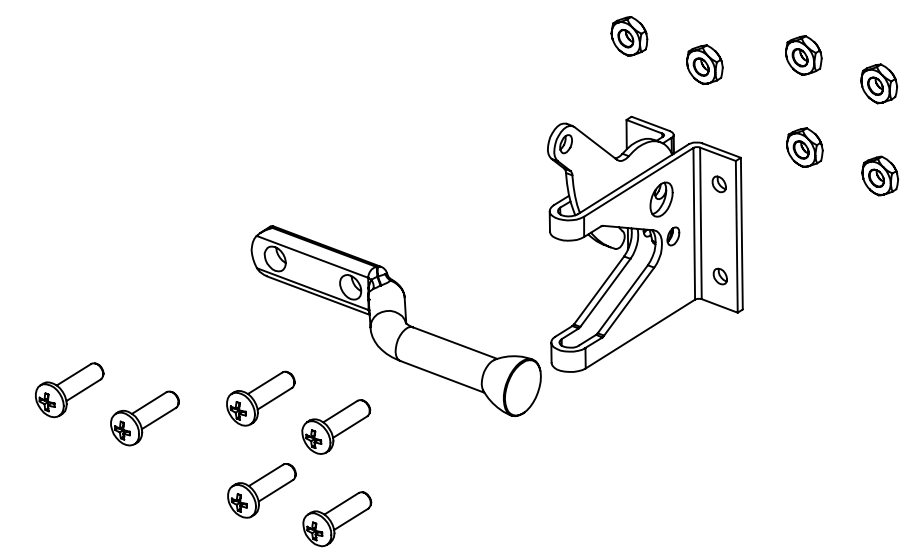
REPLACEMENT SAFETY GRATE HINGE

 Right to site. 9300 73rd Avenue North Brooklyn Park, MN 55428			TITLE: Floor Door, Retro Drawing Replacement Part Drawing		
	NAME	DATE	SIZE	DWG. NO.	REV
DRAWN	BMH	12/22/10	B	FD-KIT-RETRO	A
RELEASED	MP	1/21/2011			

8	7	6	5	4	3	2	1
REPLACEMENT PART NUMBER	FACTORY INSTALLED PART NUMBER	DESCRIPTION					
FD-KIT-GRATELATCH	-	RETRO, PKG, SAFETY GRATE LATCH, SST					
-	28152	PKG, SAFETY GRATE LATCH,w/ COVER BRACKET, 300 PSF, SST					
-	28153	PKG, SAFETY GRATE LATCH,w/ COVER BRACKET, 300 PSF, CRS					
-	28158	PKG, SAFETY GRATE LATCH,w/ COVER BRACKET, 300 PSF, ALUM					
-	28159	PKG, SAFETY GRATE LATCH,w/ COVER BRACKET, H20, ALUM					
-	28160	PKG, SAFETY GRATE LATCH,w/ COVER BRACKET, H20, CRS					
-	28161	PKG, SAFETY GRATE LATCH,w/ COVER BRACKET, H20, SST					




FACTORY INSTALLED VIEW

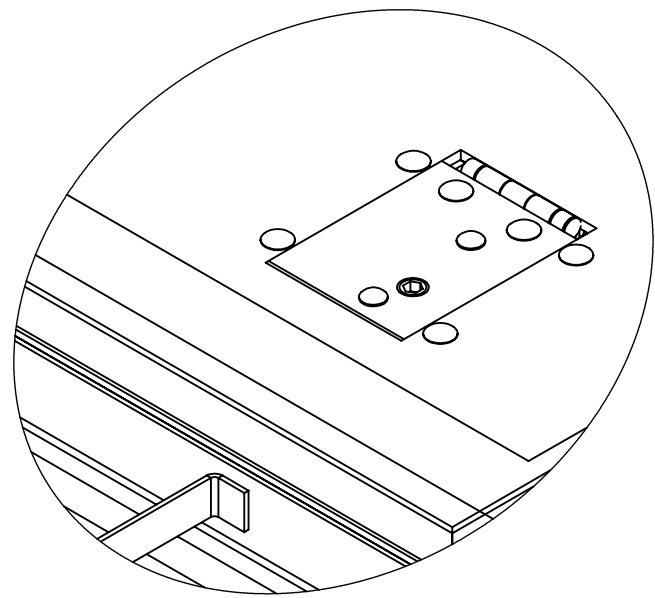


REPLACEMENT PART VIEW

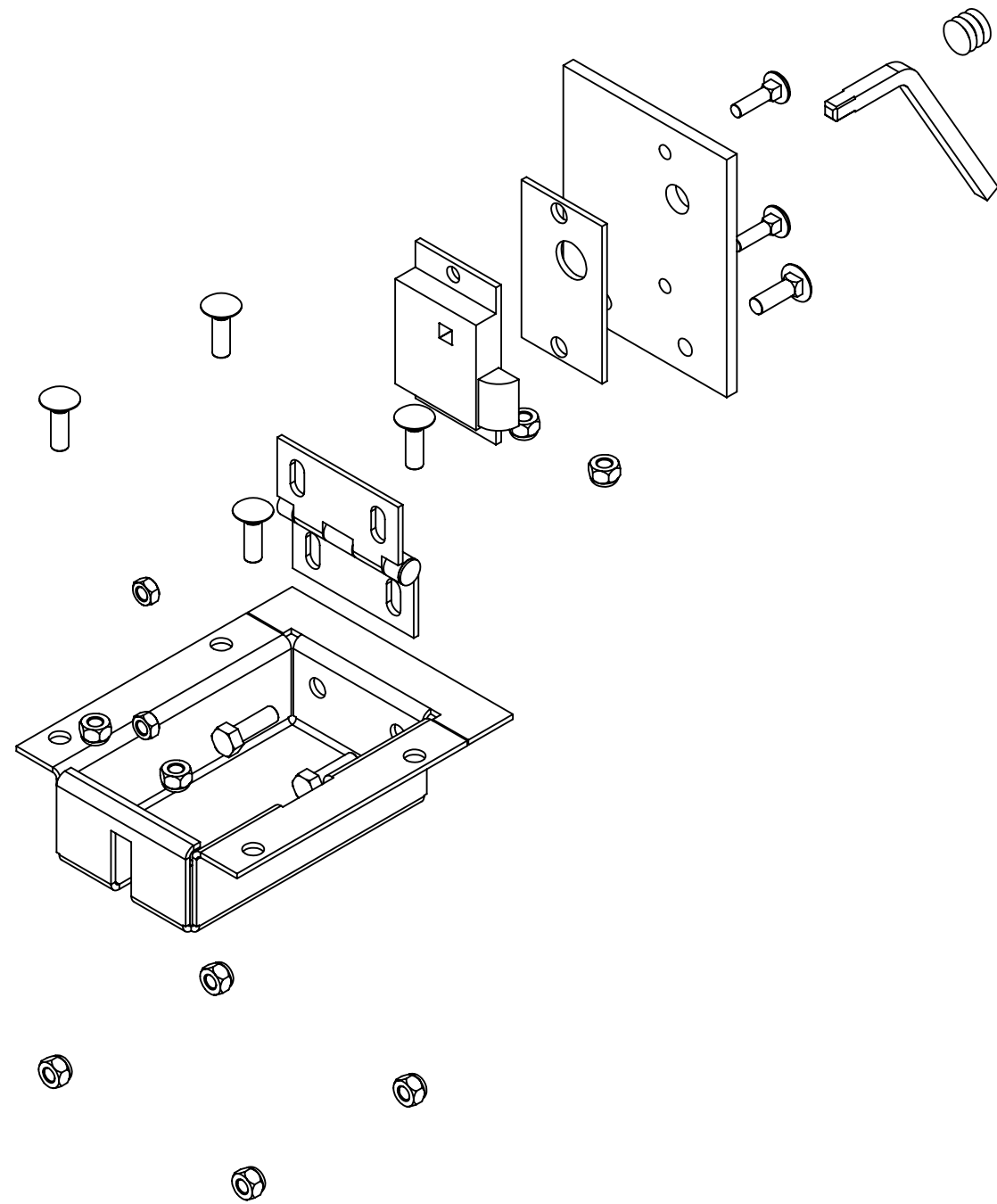
REPLACEMENT SAFETY GRATE LATCH

 Right to site. 9300 73rd Avenue North Brooklyn Park, MN 55428			TITLE: Floor Door, Retro Drawing Replacement Part Drawing		
	NAME	DATE	SIZE	DWG. NO.	REV
DRAWN	BMH	12/22/10	B	FD-KIT-RETRO	A
RELEASED	MP	1/21/2011			

8	7	6	5	4	3	2	1
REPLACEMENT PART NUMBER	FACTORY INSTALLED PART NUMBER	DESCRIPTION					
FD-KIT-PR-ALUM	-	RETRO, PKG, RECESSED HASP, FH, ALUM DIAMOND PLATE COVER					
-	27524	PKG, RECESSED HASP, FH, ALUM DIAMOND PLATE COVER					
FD-KIT-PR-STEEL	-	RETRO, PKG, RECESSED HASP, FH, STEEL DIAMOND PLATE COVER					
-	28284	PKG, RECESSED HASP, FH, CRS PLATE COVER					
FD-KIT-PR-SST	-	RETRO, PKG, RECESSED HASP, FH, SST DIAMOND PLATE COVER					
-	28285	PKG, RECESSED HASP, FH, SST PLATE COVER					




FACTORY INSTALLED VIEW

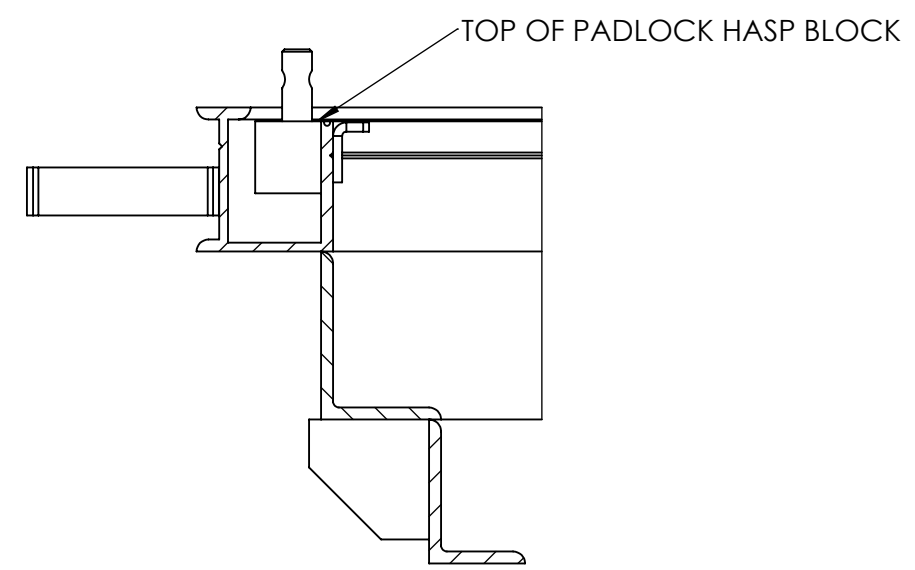


REPLACEMENT PART VIEW

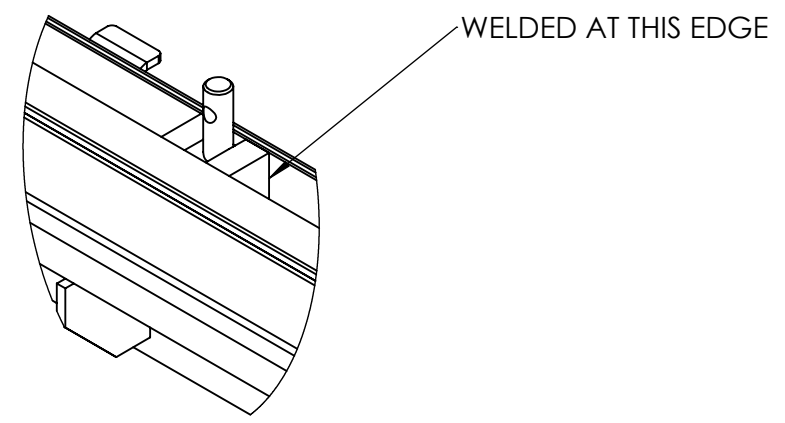
REPLACEMENT RECESSED PADLOCK HASP

 Right to site. 9300 73rd Avenue North Brooklyn Park, MN 55428			TITLE: Floor Door, Retro Drawing Replacement Part Drawing		
	NAME	DATE	SIZE	DWG. NO.	REV
DRAWN	BMH	12/22/10	B	FD-KIT-RETRO	A
RELEASED	MP	1/21/2011	SHEET 11 OF 12		

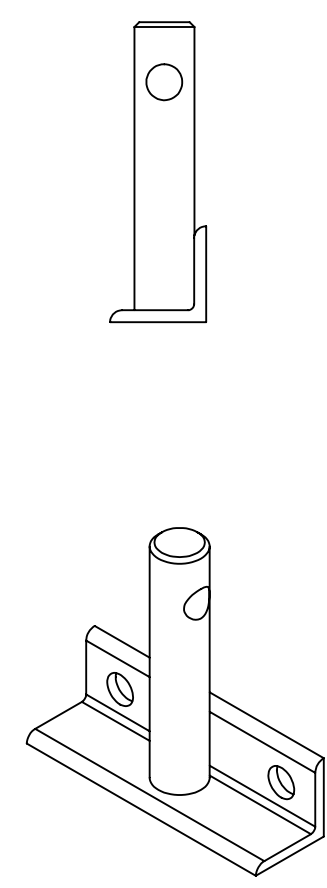
8	7	6	5	4	3	2	1
REPLACEMENT PART NUMBER	FACTORY INSTALLED PART NUMBER	DESCRIPTION					
FD-KIT-PADLOCKHASP	-	RETRO, STAPLE, PADLOCK, SST,					
-	25841	PKG, HASP, PADLOCK, DRAINABLE FRAME, ALUM					
-	25842	PKG, HASP, PADLOCK, DRAINABLE FRAME, CRS					
-	25843	PKG, HASP, PADLOCK, DRAINABLE FRAME, SST					



SIDE VIEW



FACTORY INSTALLED VIEW



REPLACEMENT PART VIEW

REPLACEMENT PADLOCK HASP



Right to site.
9300 73rd Avenue North
Brooklyn Park, MN 55428

TITLE: Floor Door, Retro Drawing
Replacement Part Drawing

	NAME	DATE	SIZE	DWG. NO.	REV
DRAWN	BMH	12/22/10	B	FD-KIT-RETRO	A
RELEASED	MP	1/21/2011			