


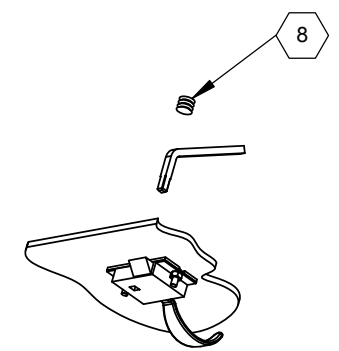
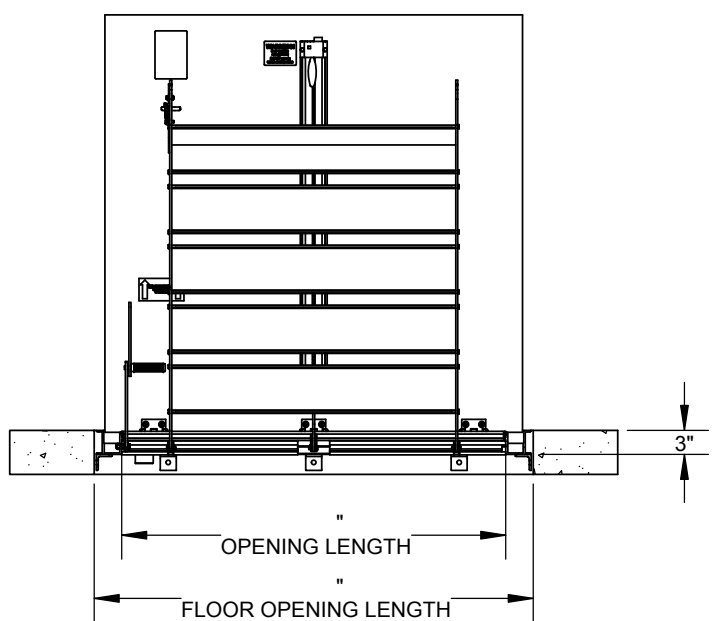
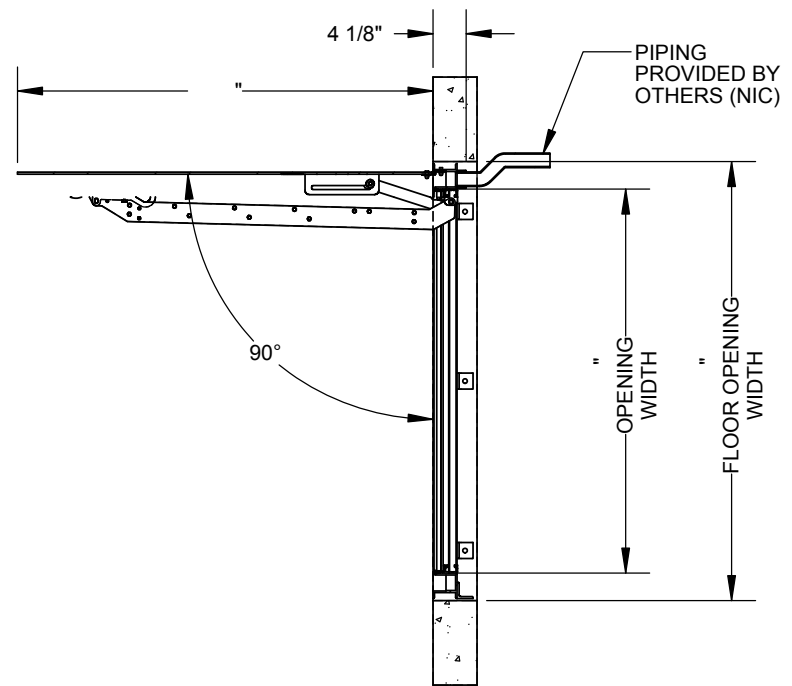
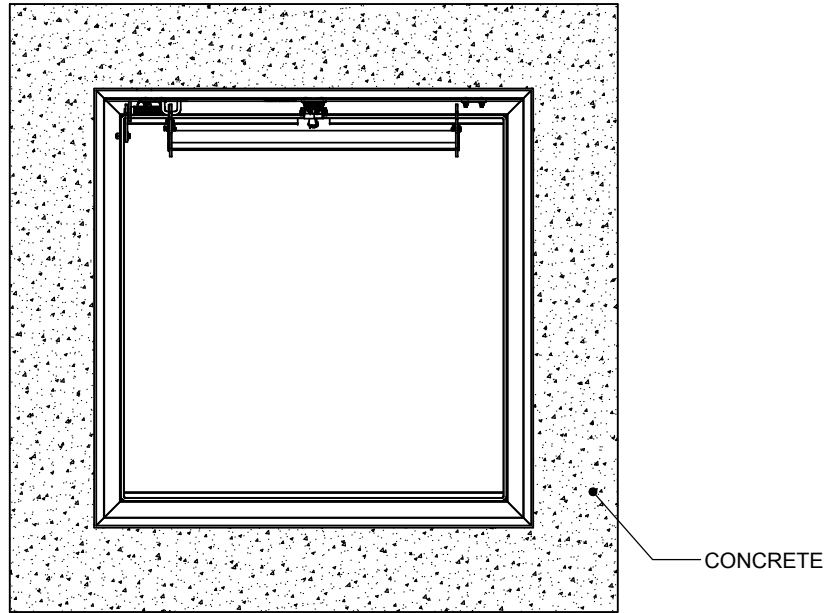
SPECIFICATIONS:

- ① **DOOR:**
ALUMINUM 1/4" DIAMOND PLATE, MILL FINISH WITH A LIVE LOAD OF 300PSF AND MAX SPAN DEFLECTION OF L/150
- ② **FRAME:**
ALUMINUM, 1/4" EXTRUSION, GRAY PRIMER FINISH ON EXTERIOR SURFACES THAT COME INTO CONTACT WITH CONCRETE
- ③ **HINGES:** TYPE 316 STAINLESS STEEL
- ④ **SLAM LATCH:**
TYPE 316 STAINLESS STEEL WITH INSIDE LEVER HANDLE AND OUTSIDE REMOVABLE HANDLE
- ⑤ **COUNTER-BALANCE SPRING:**
ENCLOSED, TYPE 17-7 SST SPRING
- ⑥ **HOLD-OPEN ARM:**
TYPE 316 STAINLESS STEEL WITH RED VINYL GRIP HANDLE

- ⑦ **DRAINAGE COUPLING:** 1-1/2"
- ⑧ **FLUSH TYPE PLUG SEAL:** TYPE 316 STAINLESS STEEL
- ⑨ **GASKET:** EPDM AIR TIGHT GASKET
- ⑩ **SAFETY GRATE:**
ALUMINUM, 6" SERRATED RAILS WITH SAFETY ORANGE POWDER COAT, LIVE LOAD OF 300PSF, SST HINGES AND INTEGRAL PADLOCK HASP
- ⑪ **NUT-RAIL:** ALUMINUM NUT-RAIL ON HINGE AND LATCH SIDES
- ⑫ **ANCHOR:** ANGLE TABS WITH ϕ 1/2" MNTG HOLES PROVIDED

PROPRIETARY AND CONFIDENTIAL: THE INFORMATION CONTAINED IN THIS DRAWING IS THE SOLE PROPERTY OF NYSTROM. ANY REPRODUCTION IN PART OR AS A WHOLE WITHOUT THE WRITTEN PERMISSION OF NYSTROM IS PROHIBITED.

PROJECT:					
ARCHITECT:					
CONTRACTOR:					
QTY:					
PART#:					
 9300 73rd Avenue North, Minneapolis, MN 55428		TITLE: FD, Drainable, 300 PSF, Sngl Dr, Alum, Mill, Gray Primer, Bolt-In, SST Spring Asst, 316 SST Hdw, Odor Gasket, Slam Latch W/Hdl, Safety Grate, Alum, Orange			
		NAME	DATE	SIZE	DWG. NO.
DRAWN	JPB	4/19/18	A	Nystrom FD FDDPA_X_SFL-BI-SGT ShpDr	A
RELEASED	TR	4/19/18	WEIGHT:	SHEET 1 OF 2	



SLAM LATCH DETAIL

			TITLE: FD, Drainable, 300 PSF, Sngl Dr, Alum, Mill, Gray Primer, Bolt-In, SST Spring Asst, 316 SST Hdw, Odor Gasket, Slam Latch W/Hdl, Safety Grate, Alum, Orange		
9300 73rd Avenue North Minneapolis, MN 55428			SIZE A	DWG. NO. Nystrom FD FDDPA_X_SFL-BI-SGT ShpDr	REV A
DRAWN JPB	DATE 4/19/18	RELEASED TR	WEIGHT:	SHEET 2 OF 2	

PROPRIETARY AND CONFIDENTIAL: THE INFORMATION CONTAINED IN THIS DRAWING IS THE SOLE PROPERTY OF NYSTROM. ANY REPRODUCTION IN PART OR AS A WHOLE WITHOUT THE WRITTEN PERMISSION OF NYSTROM IS PROHIBITED.