

**SPECIFICATIONS:**

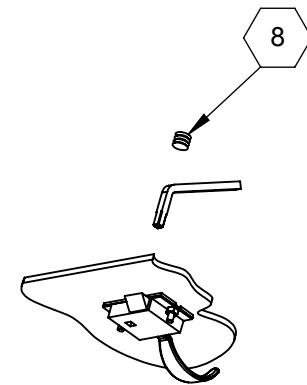
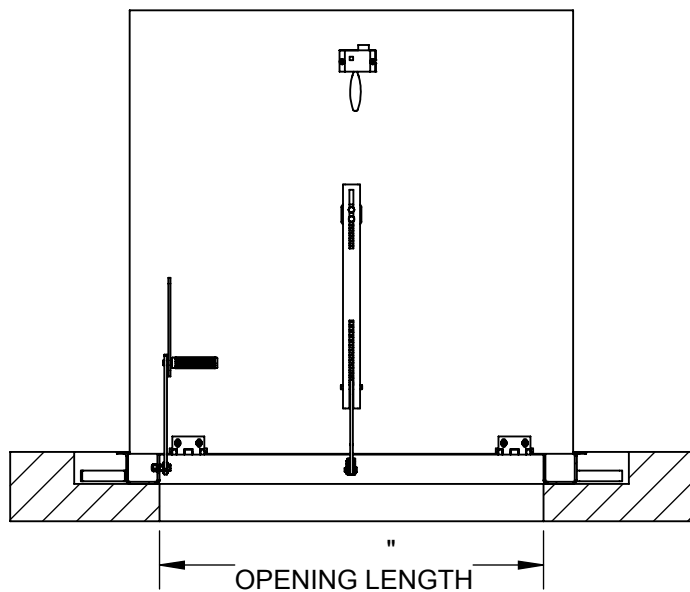
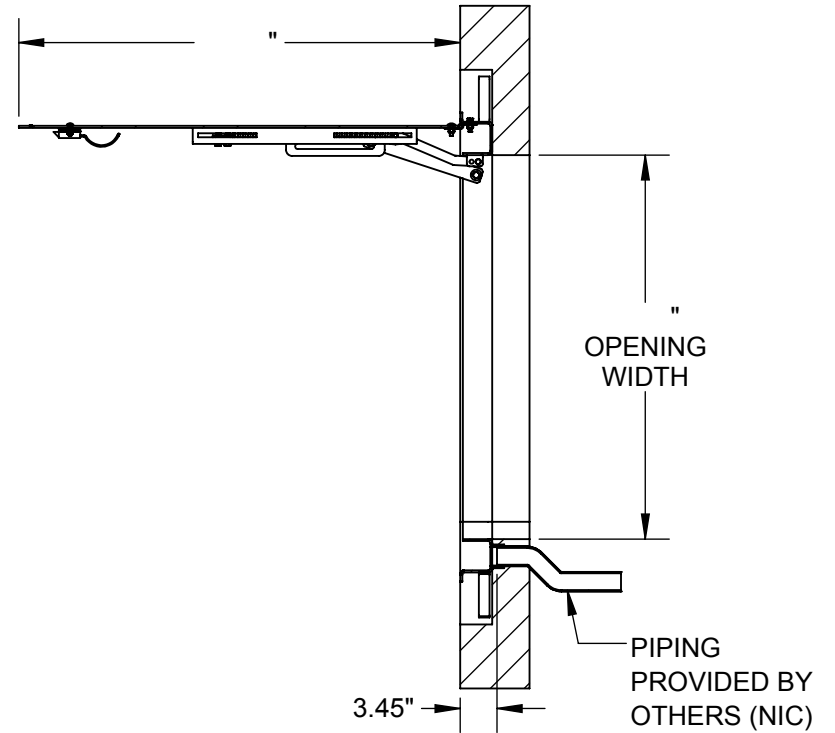
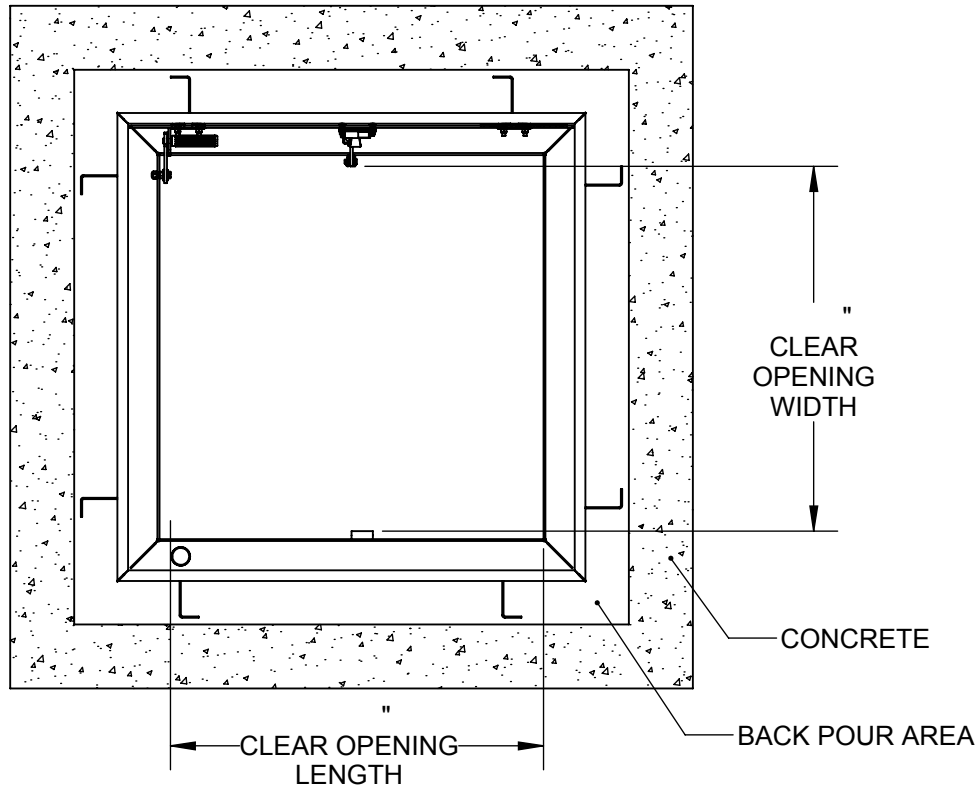
- ① **DOOR:**  
304 SST, 3/16" DIAMOND PLATE, BEAD BLAST FINISH WITH A LIVE LOAD OF 300 PSF WITH A MAX SPAN DEFLECTION OF 1/150
- ② **FRAME:**  
304 SST, 3/16" FORMED SMOOTH PLATE, BEAD BLAST FINISH
- ③ **HINGES:** TYPE 316 STAINLESS STEEL
- ④ **SLAM LATCH:**  
TYPE 316 STAINLESS STEEL WITH INSIDE LEVER HANDLE AND OUTSIDE REMOVABLE HANDLE
- ⑤ **COUNTER-BALANCE SPRING:**  
ENCLOSED, TYPE 17-7 SST SPRING
- ⑥ **HOLD-OPEN ARM:**  
TYPE 316 STAINLESS STEEL WITH RED VINYL GRIP HANDLE

- ⑦ **DRAINAGE COUPLING:** 1-1/2"
- ⑧ **FLUSH TYPE PLUG SEAL:** TYPE 316 STAINLESS STEEL
- ⑨ **ANCHOR:** 4" CONCRETE ANCHOR STRAPS PROVIDED

FLOOR DOOR SIZE:

PROPRIETARY AND CONFIDENTIAL: THE INFORMATION CONTAINED IN THIS DRAWING IS THE SOLE PROPERTY OF NYSTROM. ANY REPRODUCTION IN PART OR AS A WHOLE WITHOUT THE WRITTEN PERMISSION OF NYSTROM IS PROHIBITED.

PROJECT:															
ARCHITECT:															
CONTRACTOR:															
QTY:															
PART#:															
 9300 73rd Avenue North, Minneapolis, MN 55428	<b>TITLE:</b> Floor Door, Drainable Series, Sngl Dr, 316 SST Hdw, 304 SST, Bead Blast, Pedestrian, Cast-In Anchors, Slam Latch Removbl L Hdl														
	<table border="1"> <thead> <tr> <th>NAME</th> <th>DATE</th> <th>SIZE</th> <th>DWG. NO.</th> <th>REV</th> </tr> </thead> <tbody> <tr> <td>DRAWN</td> <td>SWS</td> <td>8/3/2018</td> <td>A</td> <td>Nystrom FD FDDPS_X_SWL ShpDr</td> </tr> <tr> <td>RELEASED</td> <td>TR</td> <td>8/3/2018</td> <td>WEIGHT:</td> <td></td> </tr> </tbody> </table>	NAME	DATE	SIZE	DWG. NO.	REV	DRAWN	SWS	8/3/2018	A	Nystrom FD FDDPS_X_SWL ShpDr	RELEASED	TR	8/3/2018	WEIGHT:
NAME	DATE	SIZE	DWG. NO.	REV											
DRAWN	SWS	8/3/2018	A	Nystrom FD FDDPS_X_SWL ShpDr											
RELEASED	TR	8/3/2018	WEIGHT:												



**SLAM LATCH DETAIL**

PROPRIETARY AND CONFIDENTIAL: THE INFORMATION CONTAINED IN THIS DRAWING IS THE SOLE PROPERTY OF NYSTROM. ANY REPRODUCTION IN PART OR AS A WHOLE WITHOUT THE WRITTEN PERMISSION OF NYSTROM IS PROHIBITED.

			TITLE: Floor Door, Drainable Series, Sngl Dr, 316 SST Hdw, 304 SST, Bead Blast, Pedestrian, Cast-In Anchors, Slam Latch Removbl L Hdl		
9300 73rd Avenue North Minneapolis, MN 55428			SIZE	DWG. NO.	REV
DRAWN	NAME	DATE	A	Nystrom FD FDDPS_X_SWL ShpDr	A
RELEASED	TR	8/3/2018	WEIGHT:	SHEET 2 OF 2	