


SPECIFICATIONS:

- ① **DOOR:**
316 SST, 3/16" DIAMOND PLATE, BEAD BLAST FINISH WITH A LIVE LOAD OF 300 PSF WITH A MAX SPAN DEFLECTION OF 1/150
- ② **FRAME:**
316 SST, 3/16" FORMED SMOOTH PLATE, BEAD BLAST FINISH
- ③ **HINGES:** TYPE 316 STAINLESS STEEL
- ④ **SLAM LATCH:**
TYPE 316 STAINLESS STEEL WITH INSIDE LEVER HANDLE AND OUTSIDE REMOVABLE HANDLE
- ⑤ **COUNTER-BALANCE SPRING:**
ENCLOSED, TYPE 17-7 SST SPRING
- ⑥ **HOLD-OPEN ARM:**
TYPE 316 STAINLESS STEEL WITH RED VINYL GRIP HANDLE
- ⑦ **DRAINAGE COUPLING:** 1-1/2"
- ⑧ **FLUSH TYPE PLUG SEAL:** TYPE 316 STAINLESS STEEL
- ⑨ **ANCHOR:** 4" CONCRETE ANCHOR STRAPS

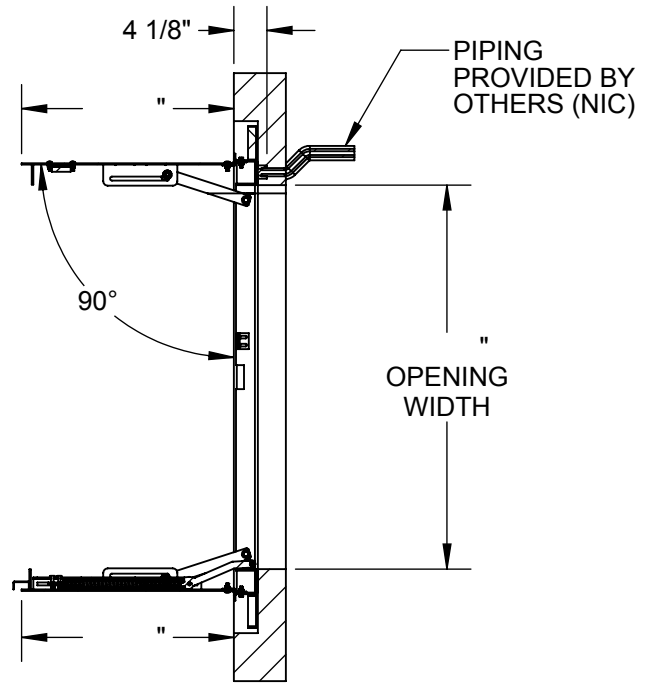
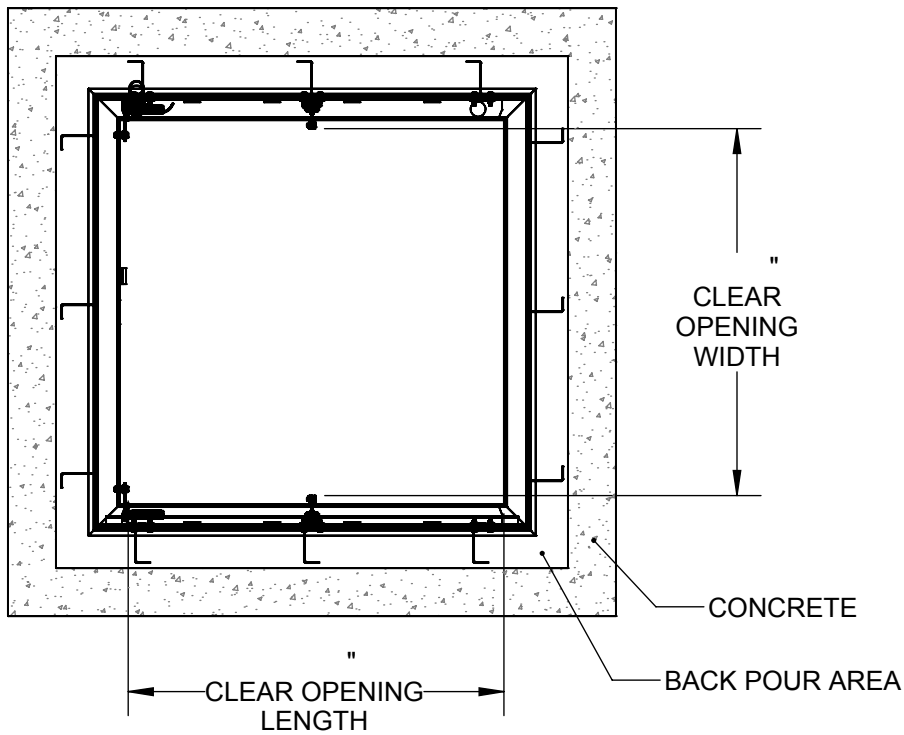
FLOOR DOOR SIZE:

PROPRIETARY AND CONFIDENTIAL: THE INFORMATION CONTAINED IN THIS DRAWING IS THE SOLE PROPERTY OF NYSTROM. ANY REPRODUCTION IN PART OR AS A WHOLE WITHOUT THE WRITTEN PERMISSION OF NYSTROM IS PROHIBITED.

PROJECT:					
ARCHITECT:					
CONTRACTOR:					
QTY:					
PART#:					
 9300 73rd Avenue North, Minneapolis, MN 55428		TITLE: Floor Door, Drainable Series, Dbl Dr, 316 SST Hdw, 316 SST, Bead Blast, Pedestrian, Cast- In Anchors, Slam Latch Removbl L Hdl,			
		NAME	DATE	SIZE	DWG. NO.
DRAWN	BES	12/4/2018	A	Nystrom FD FDDPV_X_DWL ShpDr	A
RELEASED	BES	12/4/2018	WEIGHT:	SHEET 1 OF 2	

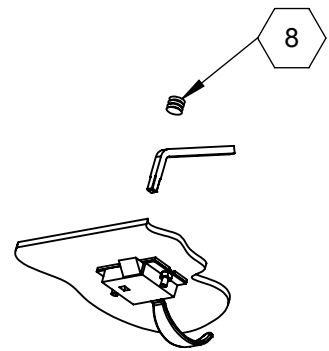
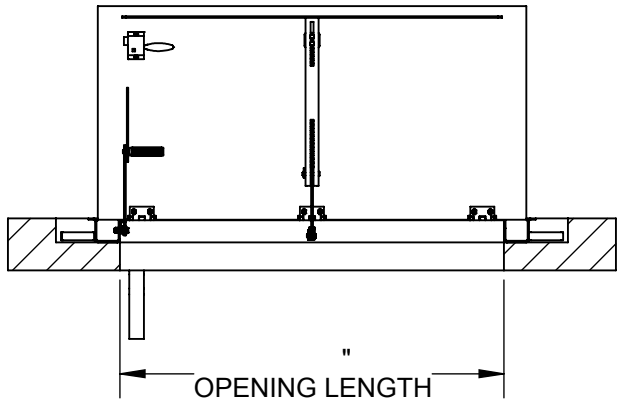
B

B



A

A



SLAM LATCH DETAIL

			TITLE: Floor Door, Drainable Series, Dbl Dr, 316 SST Hdw, 316 SST, Bead Blast, Pedestrian, Cast- In Anchors, Slam Latch Removbl L Hdl,		
9300 73rd Avenue North Minneapolis, MN 55428			SIZE DWG. NO. Nystrom FD FDDPV_X_DWL ShpDr		
NAME	DATE	SIZE	DWG. NO.	REV	
DRAWN	BES 12/4/2018	A	Nystrom FD FDDPV_X_DWL ShpDr	A	
RELEASED	BES 12/4/2018	WEIGHT:		SHEET 2 OF 2	

PROPRIETARY AND CONFIDENTIAL: THE INFORMATION CONTAINED IN THIS DRAWING IS THE SOLE PROPERTY OF NYSTROM. ANY REPRODUCTION IN PART OR AS A WHOLE WITHOUT THE WRITTEN PERMISSION OF NYSTROM IS PROHIBITED.