


SPECIFICATIONS:

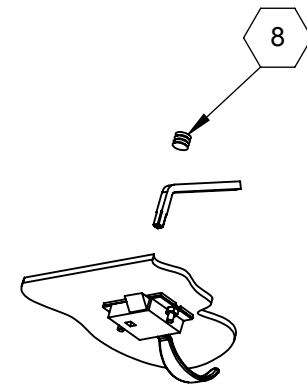
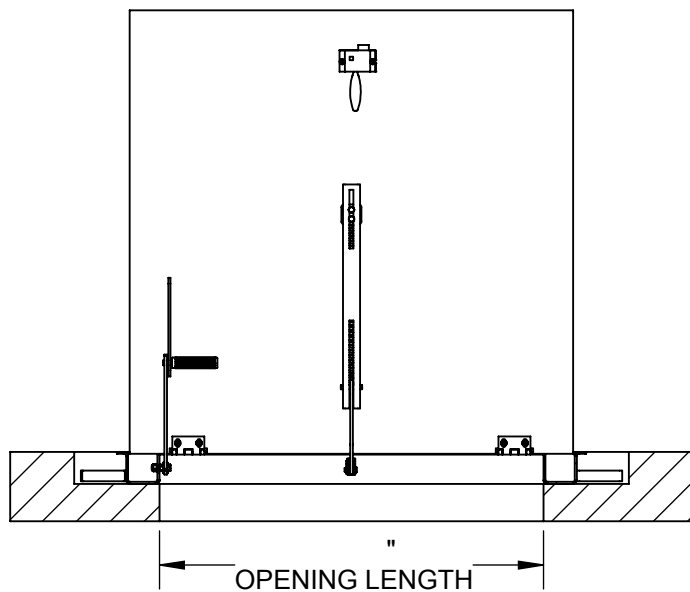
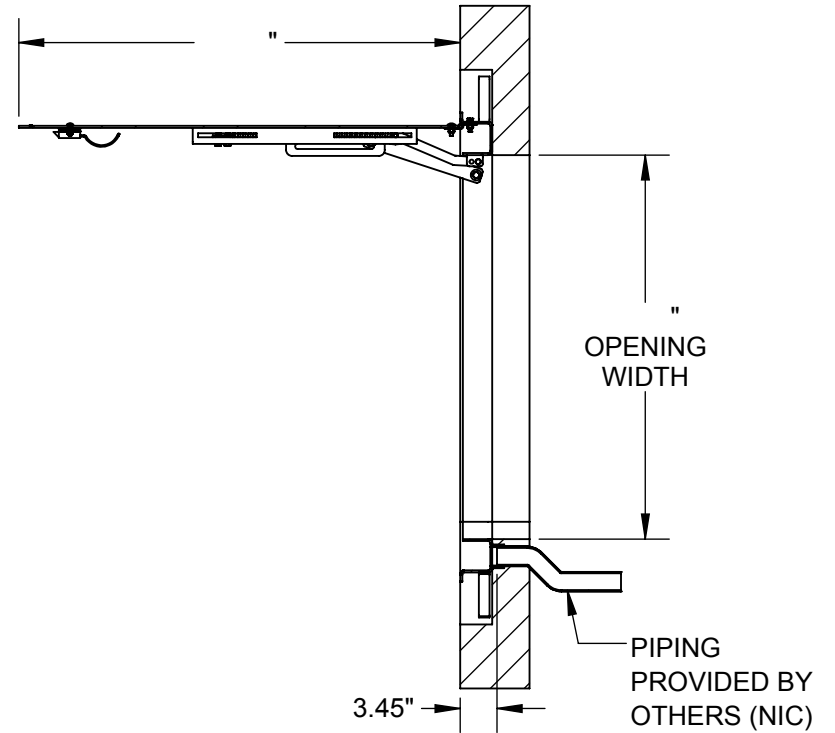
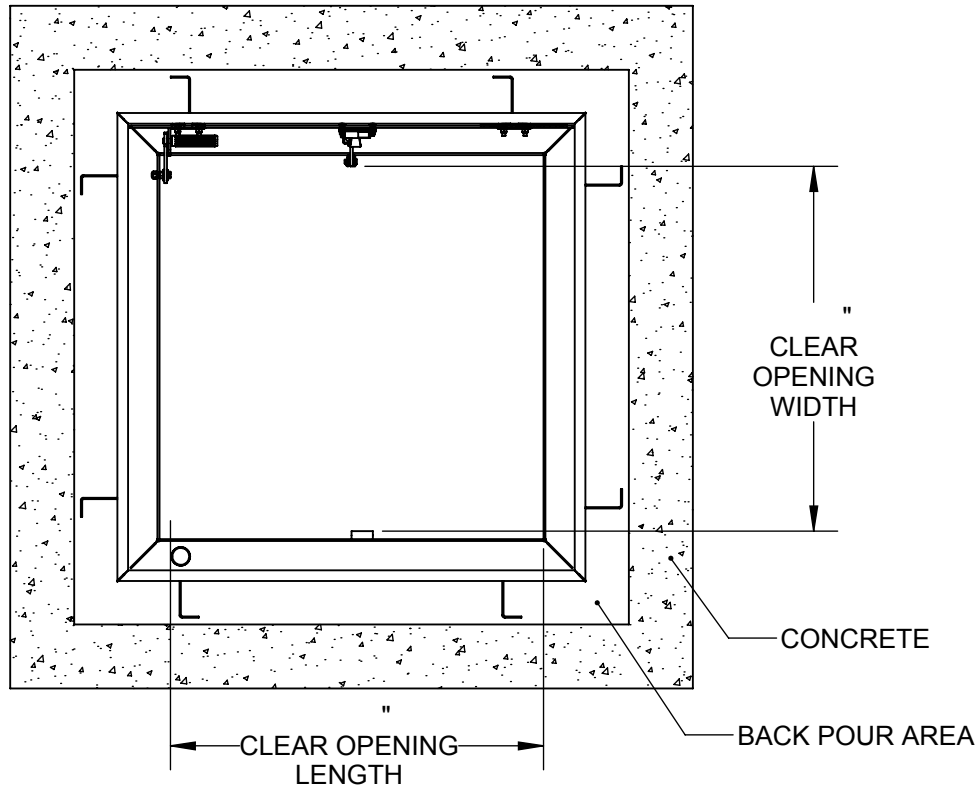
- ① **DOOR:**
316 SST, 3/16" DIAMOND PLATE, BEAD BLAST FINISH WITH A LIVE LOAD OF 300 PSF WITH A MAX SPAN DEFLECTION OF 1/150
- ② **FRAME:**
316 SST, 3/16" FORMED SMOOTH PLATE, BEAD BLAST FINISH
- ③ **HINGES:** TYPE 316 STAINLESS STEEL
- ④ **SLAM LATCH:**
TYPE 316 STAINLESS STEEL WITH INSIDE LEVER HANDLE AND OUTSIDE REMOVABLE HANDLE
- ⑤ **COUNTER-BALANCE SPRING:**
ENCLOSED, TYPE 17-7 SST SPRING
- ⑥ **HOLD-OPEN ARM:**
TYPE 316 STAINLESS STEEL WITH RED VINYL GRIP HANDLE

- ⑦ **DRAINAGE COUPLING:** 1-1/2"
- ⑧ **FLUSH TYPE PLUG SEAL:** TYPE 316 STAINLESS STEEL
- ⑨ **ANCHOR:** 4" CONCRETE ANCHOR STRAPS PROVIDED

FLOOR DOOR SIZE:

PROPRIETARY AND CONFIDENTIAL: THE INFORMATION CONTAINED IN THIS DRAWING IS THE SOLE PROPERTY OF NYSTROM. ANY REPRODUCTION IN PART OR AS A WHOLE WITHOUT THE WRITTEN PERMISSION OF NYSTROM IS PROHIBITED.

PROJECT:				
ARCHITECT:				
CONTRACTOR:				
QTY:				
PART#:				
	TITLE: Floor Door, Drainable Series, Sngl Dr, 316 SST Hdw, 316 SST, Bead Blast, Pedestrian, Cast- In Anchors, Slam Latch Removbl L Hdl			
9300 73rd Avenue North, Minneapolis, MN 55428				
NAME	DATE	SIZE	DWG. NO.	REV
DRAWN SWS	8/3/2018	A	Nystrom FD FDDPV_X_SWL ShpDr	A
RELEASED TR	8/3/2018	WEIGHT:		SHEET 1 OF 2



SLAM LATCH DETAIL

PROPRIETARY AND CONFIDENTIAL: THE INFORMATION CONTAINED IN THIS DRAWING IS THE SOLE PROPERTY OF NYSTROM. ANY REPRODUCTION IN PART OR AS A WHOLE WITHOUT THE WRITTEN PERMISSION OF NYSTROM IS PROHIBITED.

			TITLE: Floor Door, Drainable Series, Sngl Dr, 316 SST Hdw, 316 SST, Bead Blast, Pedestrian, Cast- In Anchors, Slam Latch Removbl L Hdl		
9300 73rd Avenue North Minneapolis, MN 55428			SIZE	DWG. NO.	REV
DRAWN	NAME	DATE	A	Nystrom FD FDDPV_X_SWL ShpDr	A
RELEASED	TR	8/3/2018	WEIGHT:	SHEET 2 OF 2	