

**SPECIFICATIONS:**

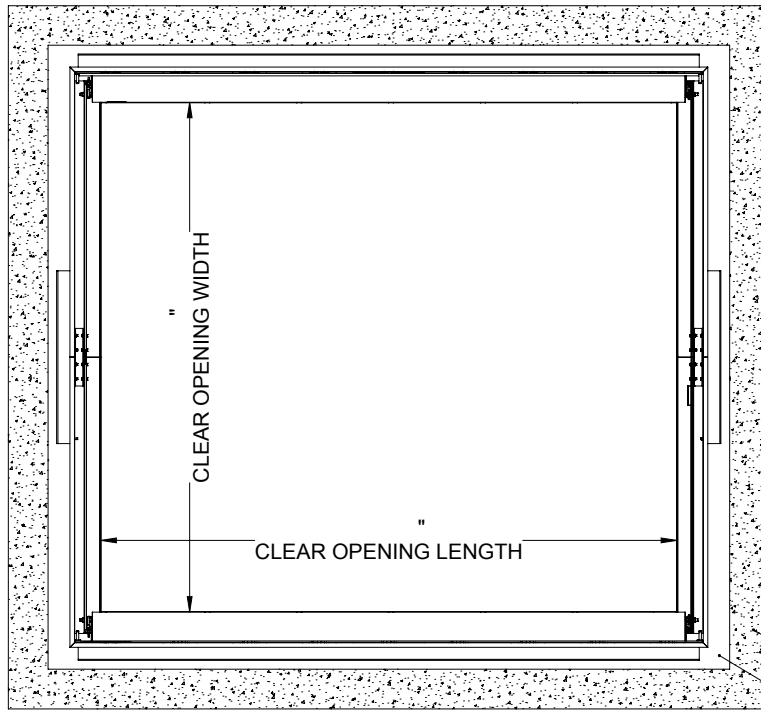
- ① **DOOR:** ALUMINUM, 1/4" DIAMOND PLATE, MILL FINISH WITH A H20 LOAD RATING FOR INFREQUENT LOW SPEED TRAFFIC WITH A MAXIMUM DEFLECTION OF L/150
- ② **FRAME:** ALUMINUM, 1/4" EXTRUSION, GRAY PRIMER FINISH ON EXTERIOR SURFACES THAT COME IN CONTACT WITH CONCRETE
- ③ **HINGES:** TYPE 316 STAINLESS STEEL
- ④ **SLAM LATCH:** TYPE 316 STAINLESS STEEL WITH INSIDE LEVER HANDLE AND OUTSIDE REMOVABLE 5/16" SQUARE L HANDLE
- ⑤ **COUNTER-BALANCE SPRING:** ENCLOSED 17-7 STAINLESS STEEL SPRING
- ⑥ **HOLD-OPEN ARM:** TYPE 316 STAINLESS STEEL
- ⑦ **FLUSH LIFTING HANDLE:** TYPE 316 STAINLESS STEEL

- ⑧ **DRAINAGE COUPLING:** 1-1/2", FOR CONNECTION TO RUN OFF
- ⑨ **FLUSH TYPE PLUG SEAL:** TYPE 316 STAINLESS STEEL
- ⑩ **GASKET:** EPDM

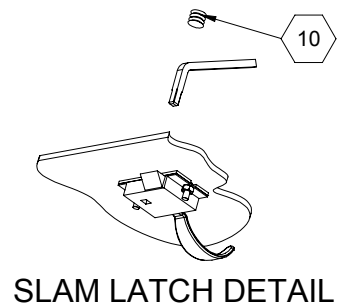
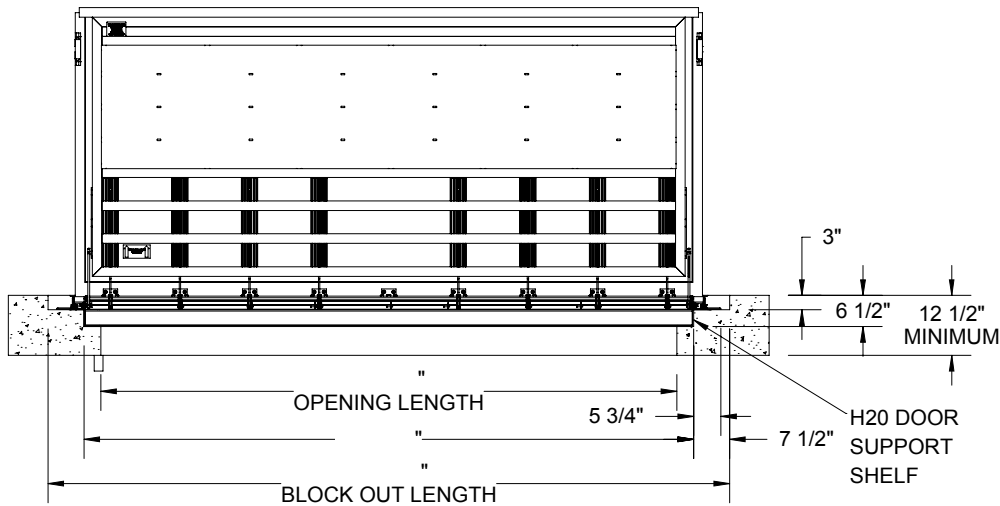
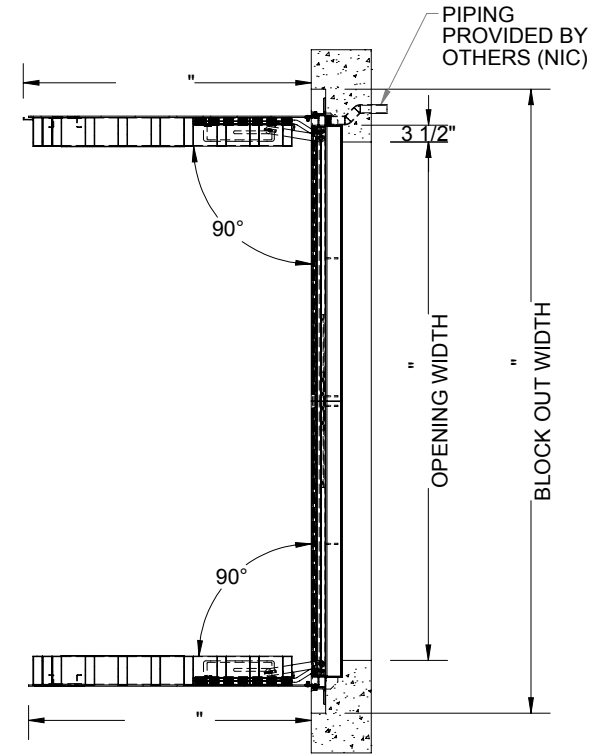
**FLOOR DOOR SIZE:**

PROPRIETARY AND CONFIDENTIAL: THE INFORMATION CONTAINED IN THIS DRAWING IS THE SOLE PROPERTY OF NYSTROM. ANY REPRODUCTION IN PART OR AS A WHOLE WITHOUT THE WRITTEN PERMISSION OF NYSTROM IS PROHIBITED.

|   |      |   |          |                               |
|---|------|---|----------|-------------------------------|
| PROJECT:  |      |   |          |                               |
| ARCHITECT:  |      |   |          |                               |
| CONTRACTOR:   |      |   |          |                               |
| QTY:  |      |   |          |                               |
| PART#:  |      |   |          |                               |
| <b>9300 73rd Avenue North<br/>Minneapolis, MN 55428</b> |      | TITLE:  |          |                               |
|   |      | Floor Door, Drainable Oversize H20<br>Dbl Dr, 316 SST Hdw,<br>Alum, Mill, H20, Slam Latch Removbl L Hdl |          |                               |
| NAME  | DATE | SIZE  | DWG. NO. | REV                           |
| DRAWN   | SGS  | 1-11-19   | A        | Nystrom FD FDOHA_X_DFL Shp Dr |
| RELEASED  | IMT  | 1-11-19   | WEIGHT:  | SHEET 1 OF 2                  |



CONCRETE  
BACKFILL AREA



SLAM LATCH DETAIL

|  |      |         |  |     |              |
|--|------|---------|--|-----|--------------|
|  |      |         | <b>TITLE:</b><br>Floor Door, Drainable Oversize H20<br>Dbl Dr, 316 SST Hdw,<br>Alum, Mill, H20, Slam Latch Removbl L Hdl |     |              |
| <b>9300 73rd Avenue North<br/>         Minneapolis, MN 55428</b> |      |         | <b>DWG. NO.</b><br>Nystrom FD FDOHA_X_DFL Shp Dr   |     |              |
| NAME   | DATE | SIZE    | DWG. NO.   | REV |              |
| DRAWN  | SGS  | 1-11-19 | A  | A   |              |
| RELEASED   | IMT  | 1-11-19 | WEIGHT:  |     | SHEET 2 OF 2 |