

SPECIFICATIONS:

- ① **DOOR:** STEEL, 3/16" SMOOTH PLATE, RECESSED, GRAY PRIMER COAT WITH A LIVE LOAD OF 300 PSF WITH A MAXIMUM DEFLECTION OF L/160
- ② **FRAME:** STEEL, 3/16" FORMED, RECESSED, GRAY PRIMER COAT
- ③ **HINGES:** TYPE 316 STAINLESS STEEL
- ④ **SLAM LATCH:** TYPE 316 STAINLESS STEEL WITH INSIDE LEVER HANDLE AND OUTSIDE REMOVABLE 5/16" SQUARE L HANDLE
- ⑤ **COUNTER-BALANCE SPRING:** TYPE 17-7 STAINLESS STEEL SPRING ENCLOSED IN A TYPE 316 STAINLESS STEEL TELESCOPING TUBE
- ⑥ **HOLD-OPEN ARM:** TYPE 316 STAINLESS STEEL WITH RED VINYL GRIP HANDLE
- ⑦ **ANCHOR:** 4" CONCRETE ANCHOR STRAPS PROVIDED


⑧ **TILE EXTRUSION:** ALUMINUM, RECESSED FOR 1/8" FLOOR COVERING

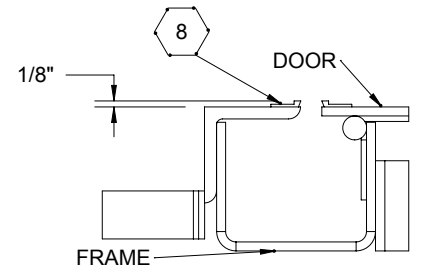
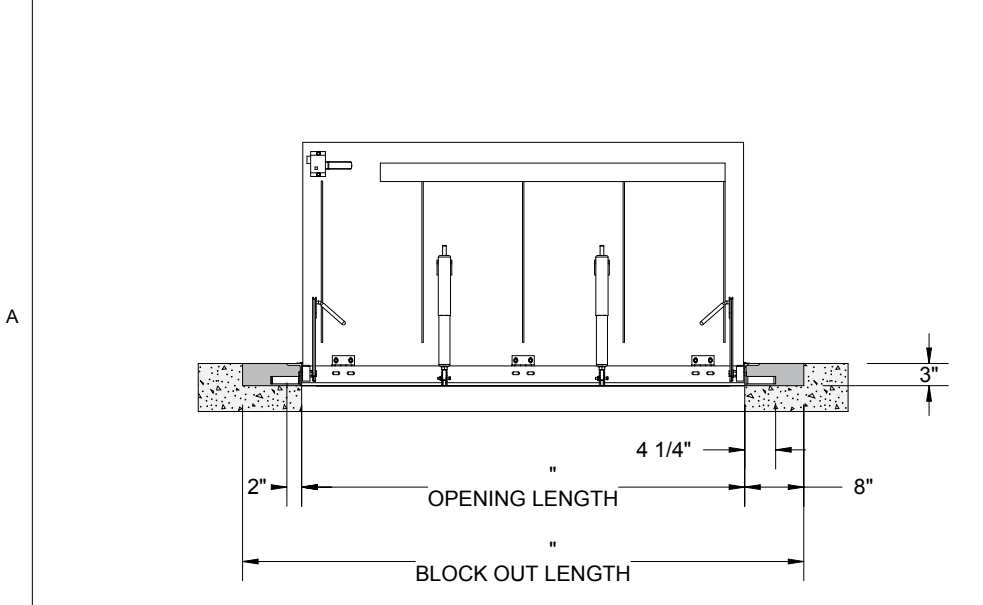
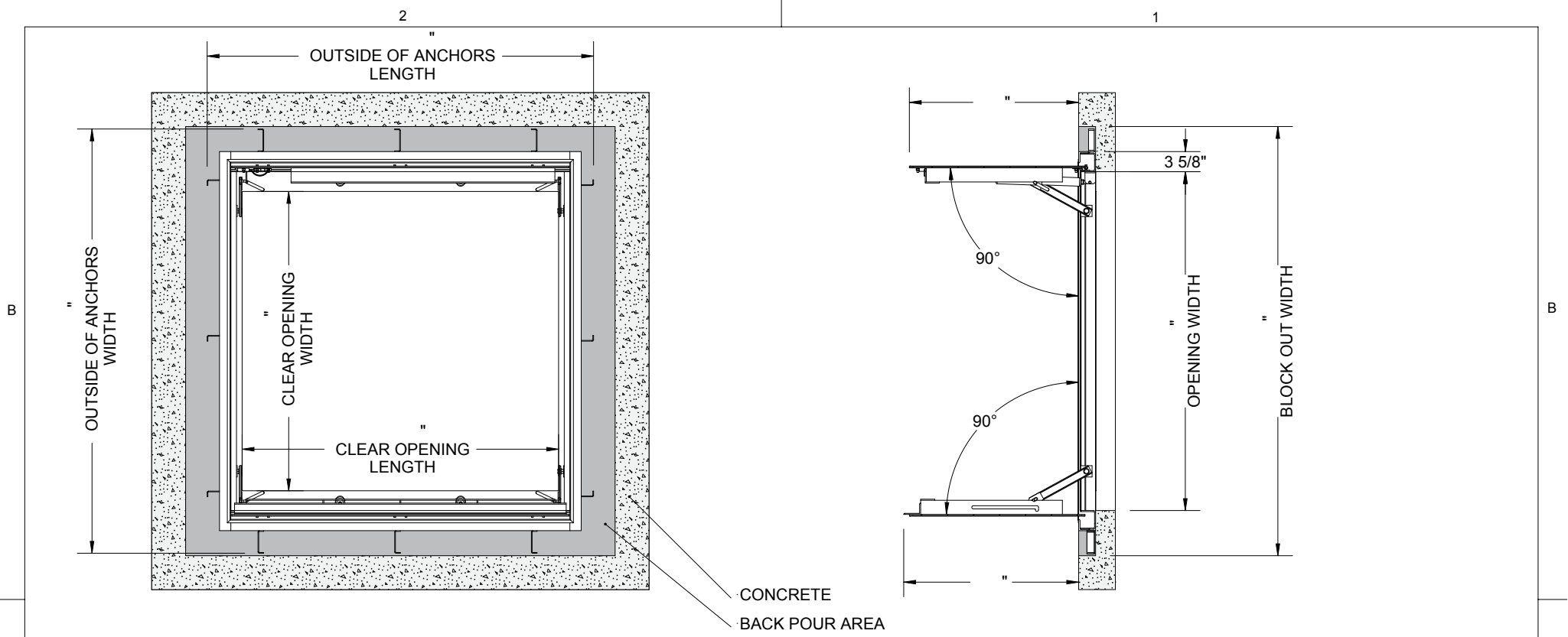
FLOOR DOOR SIZE:
" (WIDTH) x " (LENGTH)

CLEAR UNOBSTRUCTED OPENING:
" (WIDTH) x " (LENGTH)

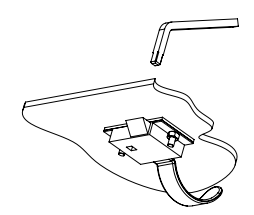
OPENING:
" (WIDTH) x " (LENGTH)

PROPRIETARY AND CONFIDENTIAL: THE INFORMATION CONTAINED IN THIS DRAWING IS THE SOLE PROPERTY OF NYSTROM. ANY REPRODUCTION IN PART OR AS A WHOLE WITHOUT THE WRITTEN PERMISSION OF NYSTROM IS PROHIBITED. THIS IS A GENERIC SHOP DRAWING AND MAY NOT BE AN ACTUAL REPRESENTATION OF THE FINAL PRODUCT.

PROJECT:				
ARCHITECT:				
CONTRACTOR:				
QTY:				
PART#:		FDRPP X DAL		
		TITLE: Floor Door, Recessed Series, Dbl Dr, 316 SST Hdw, Steel, Prime Coat, Pedestrian, Cast-In Anchors, Slam Latch Removbl L Hdl		
		9300 73rd Avenue North Minneapolis, MN 55428		
NAME	DATE	SIZE	DWG. NO.	REV
DRAWN JE	04/18/11	A	FDRPP_X_DAL	A
RELEASED DWO	04/18/11	WEIGHT: Varies	SHEET 1 OF 2	



TILE EXTRUSION DETAIL



SLAM LATCH DETAIL

			TITLE: Floor Door, Recessed Series, Dbl Dr, 316 SST Hdw, Steel, Prime Coat, Pedestrian, Cast-In Anchors, Slam Latch Removbl L Hdl		
9300 73rd Avenue North Minneapolis, MN 55428			DWG. NO.	FDRPP_X_DAL	REV A
DRAWN	JE	04/18/11	SIZE A		
RELEASED	DWO	04/18/11	WEIGHT: Varies	SHEET 2 OF 2	

PROPRIETARY AND CONFIDENTIAL: THE INFORMATION CONTAINED IN THIS DRAWING IS THE SOLE PROPERTY OF NYSTROM. ANY REPRODUCTION IN PART OR AS A WHOLE WITHOUT THE WRITTEN PERMISSION OF NYSTROM IS PROHIBITED. THIS IS A GENERIC SHOP DRAWING AND MAY NOT BE AN ACTUAL REPRESENTATION OF THE FINAL PRODUCT.