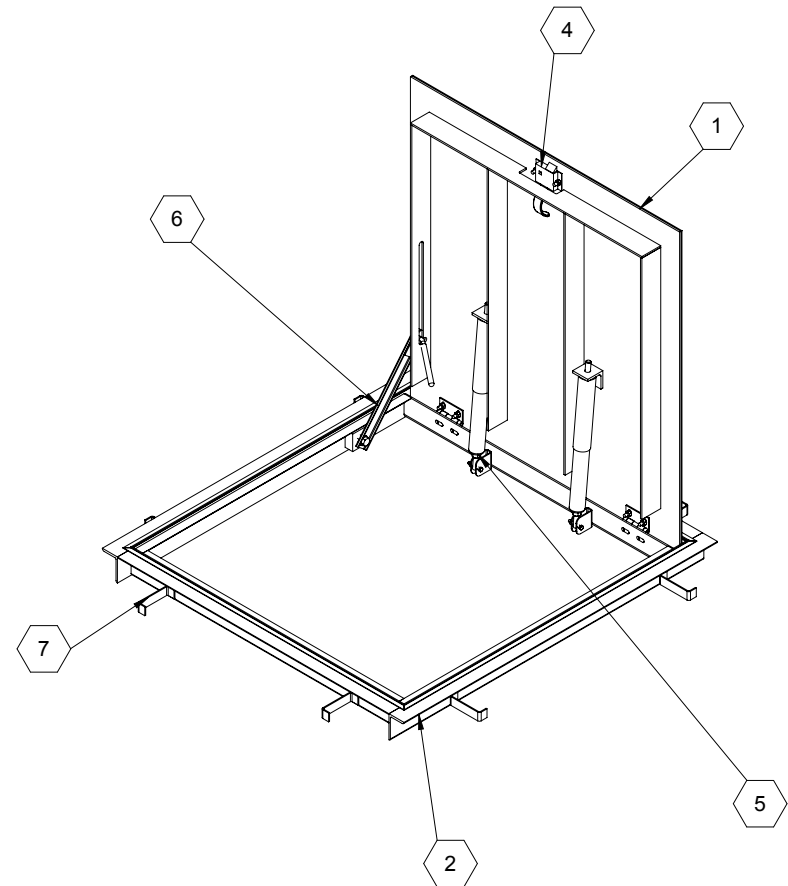


REFERENCE TILE EXTRUSION DETAIL ON SHEET 2

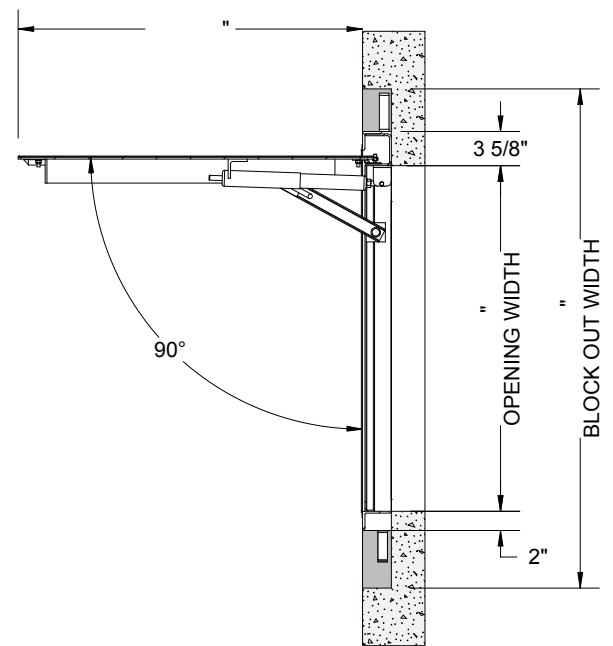
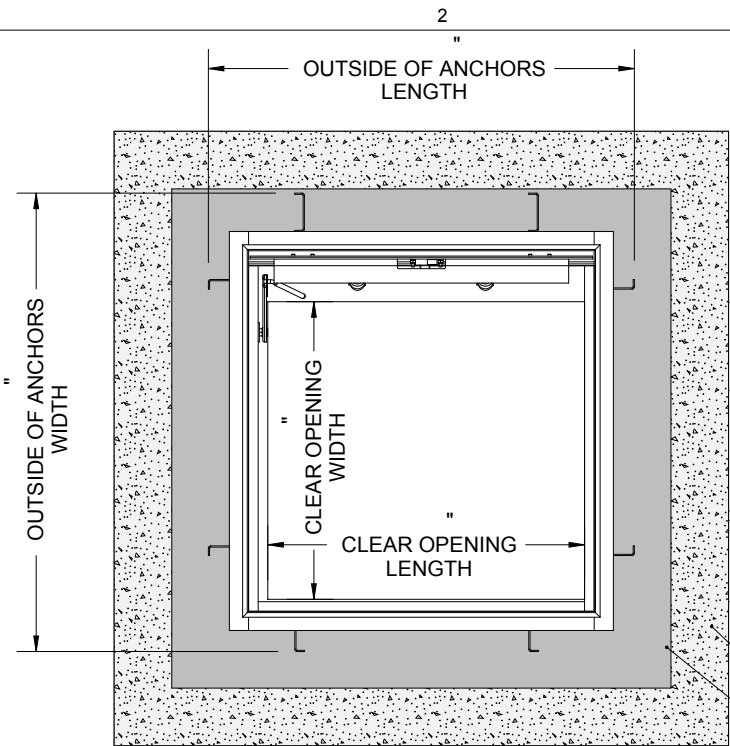


SPECIFICATIONS:

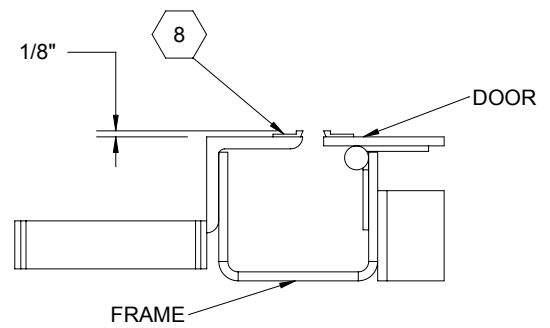
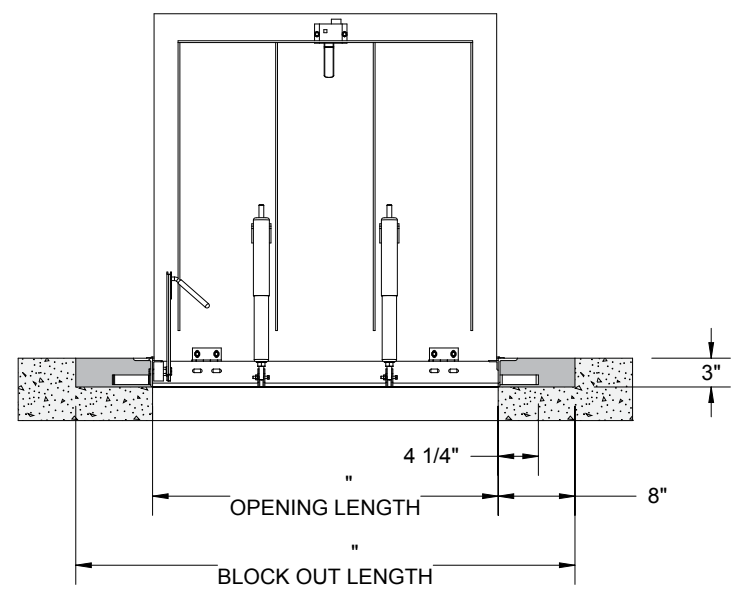
- ① **DOOR:** STEEL, 3/16" SMOOTH PLATE, RECESSED, GRAY PRIMER COAT WITH A LIVE LOAD OF 300 PSF WITH A MAXIMUM DEFLECTION OF L/160
 - ② **FRAME:** STEEL, 3/16" FORMED, RECESSED, GRAY PRIMER COAT
 - ③ **HINGES:** TYPE 316 STAINLESS STEEL
 - ④ **SLAM LATCH:** TYPE 316 STAINLESS STEEL WITH INSIDE LEVER HANDLE AND OUTSIDE REMOVABLE 5/16" SQUARE L HANDLE
 - ⑤ **COUNTER-BALANCE SPRING:** TYPE 17-7 STAINLESS STEEL SPRING ENCLOSED IN A TYPE 316 STAINLESS STEEL TELESCOPING TUBE
 - ⑥ **HOLD-OPEN ARM:** TYPE 316 STAINLESS STEEL WITH RED VINYL GRIP HANDLE
 - ⑦ **ANCHOR:** 4" CONCRETE ANCHOR STRAPS PROVIDED
 - ⑧ **TILE EXTRUSION:** ALUMINUM, RECESSED FOR 1/8" FLOOR COVERING
- FLOOR DOOR SIZE:**
" (WIDTH) x " (LENGTH)
- CLEAR UNOBSTRUCTED OPENING:**
" (WIDTH) x " (LENGTH)
- OPENING:**
" (WIDTH) x " (LENGTH)

PROPRIETARY AND CONFIDENTIAL: THE INFORMATION CONTAINED IN THIS DRAWING IS THE SOLE PROPERTY OF NYSTROM. ANY REPRODUCTION IN PART OR AS A WHOLE WITHOUT THE WRITTEN PERMISSION OF NYSTROM IS PROHIBITED. THIS IS A GENERIC SHOP DRAWING AND MAY NOT BE AN ACTUAL REPRESENTATION OF THE FINAL PRODUCT.

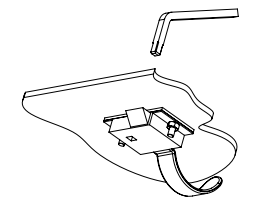
PROJECT:			
ARCHITECT:			
CONTRACTOR:			
QTY:			
PART#:		FDRPP X SAL	
nystrom [®] 9300 73rd Avenue North Minneapolis, MN 55428		TITLE: Floor Door, Recessed Series, Sngl Dr, 316 SST Hdw, Steel, Prime Coat, Pedestrian, Cast-In Anchors, Slam Latch Removbl L Hdl	
NAME	DATE	SIZE	DWG. NO.
DRAWN JE	04/18/11	A	FDRPP_X_SAL
RELEASED DWO	04/18/11	WEIGHT: Varies	SHEET 1 OF 2



CONCRETE
BACK POUR AREA



TILE EXTRUSION DETAIL



SLAM LATCH DETAIL

nystrom [®]				TITLE: Floor Door, Recessed Series, Sngl Dr, 316 SST Hdw, Steel, Prime Coat, Pedestrian, Cast-In Anchors, Slam Latch Removbl L Hdl	
9300 73rd Avenue North Minneapolis, MN 55428					
NAME	DATE	SIZE	DWG. NO.	REV	
DRAWN	JE	04/18/11	A	FDRPP_X_SAL	A
RELEASED	DWO	04/18/11	WEIGHT: Varies	SHEET 2 OF 2	

PROPRIETARY AND CONFIDENTIAL: THE INFORMATION CONTAINED IN THIS DRAWING IS THE SOLE PROPERTY OF NYSTROM. ANY REPRODUCTION IN PART OR AS A WHOLE WITHOUT THE WRITTEN PERMISSION OF NYSTROM IS PROHIBITED. THIS IS A GENERIC SHOP DRAWING AND MAY NOT BE AN ACTUAL REPRESENTATION OF THE FINAL PRODUCT.