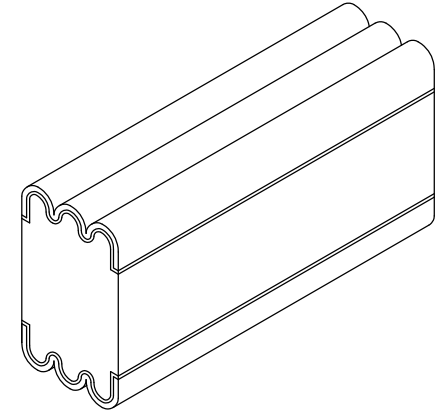
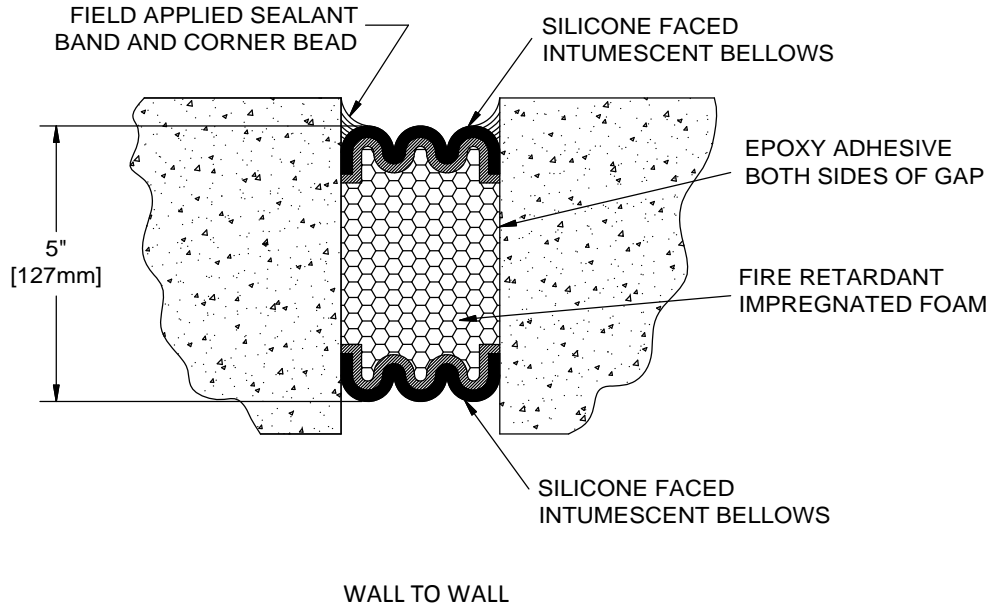


FES3 Series		
Model	Joint Nominal	Depth
EJ-FES3-050	1/2"	5"
EJ-FES3-075	3/4"	5"
EJ-FES3-100	1"	5"
EJ-FES3-125	1 1/4"	5"
EJ-FES3-150	1 1/2"	5"
EJ-FES3-175	1 3/4"	5"
EJ-FES3-200	2"	5"
EJ-FES3-225	2 1/4"	5"
EJ-FES3-250	2 1/2"	5"
EJ-FES3-275	2 3/4"	5"
EJ-FES3-300	3"	5"
EJ-FES3-325	3 1/4"	5"
EJ-FES3-350	3 1/2"	5"
EJ-FES3-375	3 3/4"	5"
EJ-FES3-400	4"	5"
EJ-FES3-425	4 1/4"	5"
EJ-FES3-450	4 1/2"	5"
EJ-FES3-475	4 3/4"	5"
EJ-FES3-500	5"	5"
EJ-FES3-525	5 1/4"	5"
EJ-FES3-550	5 1/2"	5"
EJ-FES3-575	5 3/4"	5"
EJ-FES3-600	6"	5"



FES3 SERIES COLORS
Limestone
White
Beige
Light Gray
Black
Medium Bronze
Sandstone
Adobe Tan
Dusty Rose
Quarry Red
Charcoal
Colonial White

**FES3 Product Notes**

1. Fire Rated, Watertight, Sound Dampening, Primary Seal for Interior and Exterior Wall Expansion Joints
2. 3-Hour, Built-In Fire-Rating (UL 2079)
3. Joint movement capability is +25% and - 25% (50% total) of nominal material size
4. Sizes under 1-1/2" are manufactured with a single bellows. Larger sizes incorporate multiple bellows

CUSTOMER:			
JOB REF:			
LOCATION:			
QTY:			
		TITLE:	
9300 73rd Avenue North Brooklyn Park, MN 55428		EJ-FES3 SERIES, EJ Seal, Int/Ext, Wall to Wall, Compression, Thermal 6.56 FT Lengths, 3 Hour Fire Rated	
NAME	DATE	SIZE	DWG. NO.
DKL	1/15/15	A	EJ-FES3 SERIES
RELEASED	GN	1/15/15	WEIGHT:
			SHEET 1 OF 1