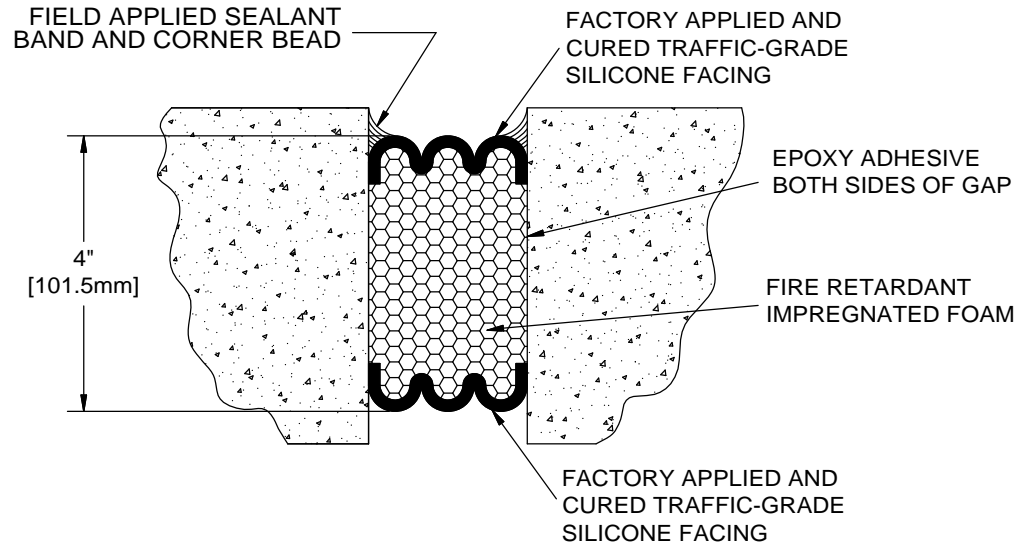
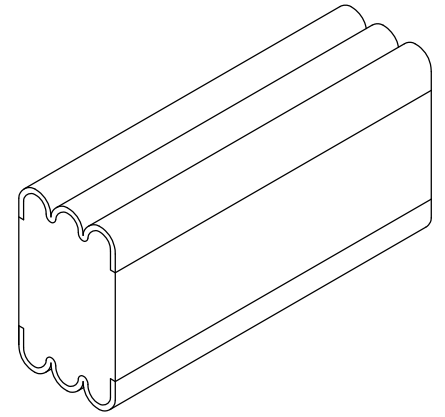


FHES2 Series		
Model	Joint Nominal	Depth
EJ-FHES2-050	1/2"	4"
EJ-FHES2-075	3/4"	4"
EJ-FHES2-100	1"	4"
EJ-FHES2-125	1 1/4"	4"
EJ-FHES2-150	1 1/2"	4"
EJ-FHES2-175	1 3/4"	4"
EJ-FHES2-200	2"	4"
EJ-FHES2-225	2 1/4"	4"
EJ-FHES2-250	2 1/2"	4"
EJ-FHES2-275	2 3/4"	4"
EJ-FHES2-300	3"	4"
EJ-FHES2-325	3 1/4"	4"
EJ-FHES2-350	3 1/2"	4"
EJ-FHES2-375	3 3/4"	4"
EJ-FHES2-400	4"	4"



DECK TO DECK
(DECK TO WALL SIMILAR)



FHES2 Series Color
Sikalil WS-295 Deck Gray

FHES2 Product Notes

1. Single-Unit, Fire and Water Resistant Expansion Joint System for Floors and Decks
2. 2-Hour, Built-In Fire-Rating (UL 2079)
3. Joint movement capability is + 50% and - 50% (100% total) of nominal material size
4. Sizes under 1-1/2" are manufactured with a single bellows. Larger sizes incorporate multiple bellows

PROPRIETARY AND CONFIDENTIAL: THE INFORMATION CONTAINED IN THIS DRAWING IS THE SOLE PROPERTY OF NYSTROM. ANY REPRODUCTION IN PART OR AS A WHOLE WITHOUT THE WRITTEN PERMISSION OF NYSTROM IS PROHIBITED.

CUSTOMER:			
JOB REF:			
LOCATION:			
QTY:			
		TITLE:	
9300 73rd Avenue North Minneapolis, MN 55428		EJ-FHES2 SERIES, EJ Seal, Int/Ext, Vehicular, Floor to Floor, Compression, Seismic, 6.56 FT Lengths, 2 Hour Fire Rated	
NAME	DATE	SIZE	DWG. NO.
DKL	7/16/19	A	EJ-FHES2 SERIES
RELEASED	GLN	7/16/19	WEIGHT:
			SHEET 1 OF 1