

## alumaGRIL ENTRANCE GRILLE

Model: GL10, Level-Bed Mechanically Fastened Frame: FL10LBM



alumaGRIL Architectural Grille adds a sleek, clean, and modular look to entrances. At a fraction of the price of stainless-steel entrance grilles, these modular sections add style to any entrance. The alumaGRIL is designed to handle medium to heavy traffic loads and can be used in zones 1-3.

### Introduction + Safety

Please read the complete instructions carefully before beginning any work. To ensure proper installation and performance of the product, the following actions must be completed by the installing contractor. Failure to do so will affect product warranty.

**GENERAL SAFETY PRECAUTIONS** Improper selection, installation, or use can cause personal injury or property damage. It is solely the responsibility of the user, through their own analysis, to select products suitable to the specific application requirements, ensure proper maintenance and use as intended. Follow local, state, and federal regulations for proper installation and operation requirements.

### Transportation + Storage

- Inspect all shipments and materials for missing or damaged components and hardware.
- Material must be stored in a clean, dry location.

### Preparation

- Locate the packing slip(s) and/or shop drawings.
- Verify that all products listed on the packing slip are included in the package.
- Check the products for damage. If products are damaged, report a freight claim immediately and leave the products in their packaging. If you sign for products without reporting damage, you waive your right to a freight claim and will be responsible for their replacement cost.
- Read the instructions thoroughly before beginning installation.

## Tool List

- Level
- 7/16” Wrench
- 1/8” Hex key wrench
- Tape measure
- Shims (for optional hold down clips)
- Screwdriver
- Caulk (for optional drain pan)

## PREPARE THE RECESS

A flat recess and accurately installed frames are critical to the overall performance of the grille.

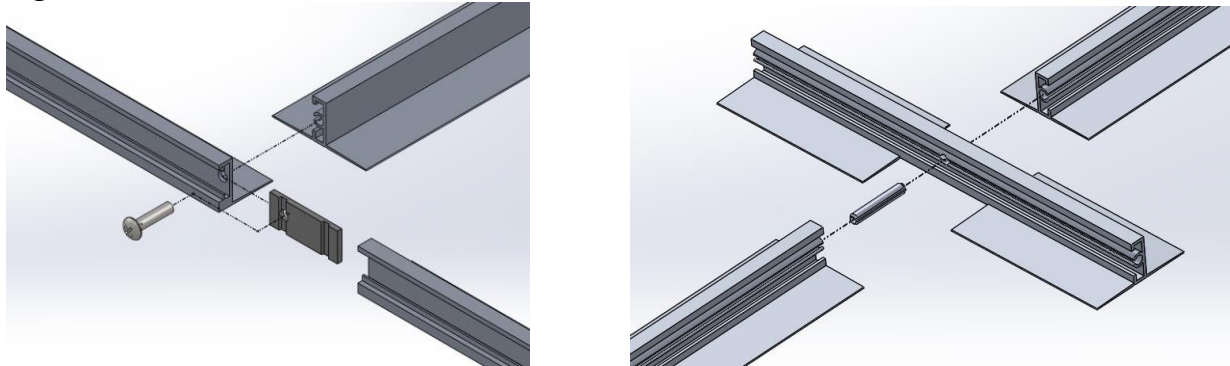
1. The rough opening for the frame should be at least 3” deep and at least the width and length of the frame. This allows room to maneuver the frame and provides clearance for the anchor bolts.
2. Verify that the bottom of the recess is flat within 1/8” over 10’. The recess must be flat to prevent damage to the grille. *Utilize a self-leveling compound (provided by others) if necessary to ensure a level floor surface.*

## ASSEMBLE THE FRAMES

Frames that exceed 96” in either width or traffic direction are shipped in separate pieces.

1. Assemble the frame sections according to the shop drawings. Splice plates and pins are provided for connecting frame pieces together. **See Figure 1**
  - a. Cross supports are attached to the perimeter frame using the 1/4-20’ x 1” self-threading screws.
  - b. Cross support is spliced together using splice pins.
  - c. Perimeter frame is spliced together using splice plate.
2. Make sure that the frame is plumb, that corner conditions are joined at the correct angles, and that it is at the correct height. Also, check the measurements of the frame against the shop drawings in several locations to make sure that the sizes are correct. The grille will not fit if the frame is not installed as indicated on the shop drawings.

**Figure 1**



## INSTALLATION

### INSTALL THE FRAME

1. Thoroughly sweep the substrate to remove all dirt and debris.
2. Place the assembled frame into the opening. Shim as necessary to level the frame to the final height of the finished floor surface.
3. Mark the fastening point locations on the frames. The required locations are indicated on the shop drawings. Otherwise, evenly space the fastening points at a maximum distance of 24" on all sides of the frame. Drill and countersink 1/4" diameter holes at the marked locations.
4. Mark and drill 1/4" diameter holes in the floor for the anchors.
5. Line the frame members up with the holes and securely fasten the frame to the floor with the provided anchors.

### INSTALL THE DRAIN PAN (Optional)

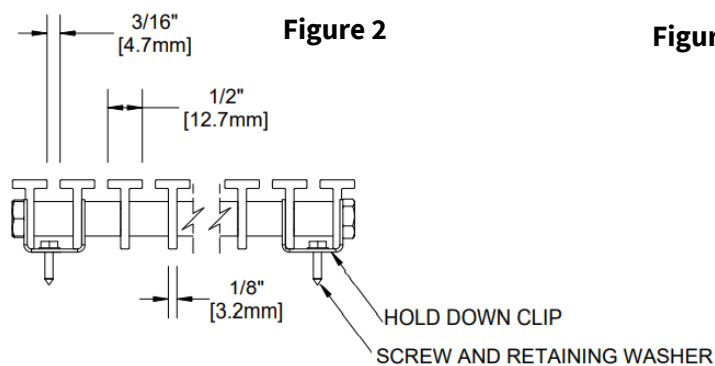
1. Use a caulk gun to apply adhesive to the recessed surface medium.
2. Place precut drain pan sheets into recess. Apply pressure to all areas of the pan to aid in bonding.
3. Apply a silicone caulk to all drain pan seams where pan meets frame and where pan sections abut.

## INSTALL THE GRILLE

1. Remove the plywood or other filler from the recess and clean the recess thoroughly. *Note that debris will cause irregularities in the recess that may cause the grille to rock or create a tripping hazard.*
2. Consult drawings to determine the correct locations of the grille sections. *Note that Grilles with notches, angle cuts, or radius cuts, must be in the proper location, with all sections facing the same direction.* Set grille(s) into the recess.
3. Save the installation and maintenance instructions and include with the closeout documentation for the owner and maintenance personnel.

## INSTALL THE HOLD DOWN CLIPS (Optional)

1. The hold down clips are fastened to the grille at the four corners. **See Figure 2**  
Using a nail, mark the floor through the slot in the clips.
2. Insert screws into the hold down clips and add a plastic retaining washer to keep the screws in place (included).
3. Drill 3/8" x 1" deep holes in the floor for the concrete anchors (included).
4. Placing the anchor, cone side down, use the set tool (included) to drive anchors flush into the hole. **See Figure 3**
5. Lower the grille and use an 1/8" hex key wrench to fasten the screws to the anchors.



**Figure 3**



## MAINTENANCE

Continued maintenance is critical to the long-term safety and performance of the grille. Remove the grille and clean the recess periodically to prevent the surface from becoming uneven. Debris build up within the recess could lead to deflection in the grille and may possibly cause tripping hazards.

The type and schedule of maintenance of your grille will depend upon location and amount of traffic. Clean the treads with a vacuum or broom first, and then mop the treads with standard floor cleaner.

## QUESTIONS?

For more information on installation, repair, or replacement, please visit [nystrom.com](http://nystrom.com)