

SPECIFICATIONS:

- ① **COVER:** 14GA (.079)GALV STEEL, STIFFENED TO WITHSTAND A LIVE LOAD OF 40PSF WITH A MAX DEFLECTION OF 1/150 OF THE SPAN.
- ② **CURB:** 14GA (.079)GALV STEEL CURB COUNTERFLASH WITH EZ TABS.
- ③ **FINISH:** ANSI 70 GRAY POWDER COAT
- ④ **INSULATION:** 1" POLYISO R-6 (5.6 LTTR) IN CURB,
1" POLYSTYRENE R-4 (3.8 LTTR) IN COVER.
- ⑤ **GASKET:** EXTRUDED EPDM RUBBER ADHESIVE BACKED GASKET SEAL CONTINUOUS AROUND COVER.
- ⑥ **SPRING:** GAS SPRING WITH DAMPER FOR SMOOTH, CONTROLLED, COUNTERBALANCED LIFT ASSISTANCE.
- ⑦ **HINGE:** PINTLE HINGE WITH STAINLESS STEEL HINGE PINS.
- ⑧ **HOLD OPEN ARM:** ZINC PLATED STEEL AUTOMATIC HOLD OPEN ARM LOCKS COVER IN FULLY OPEN POSITION WITH RED POLYPROPYLENE GRIP HANDLE PULL RELEASE.

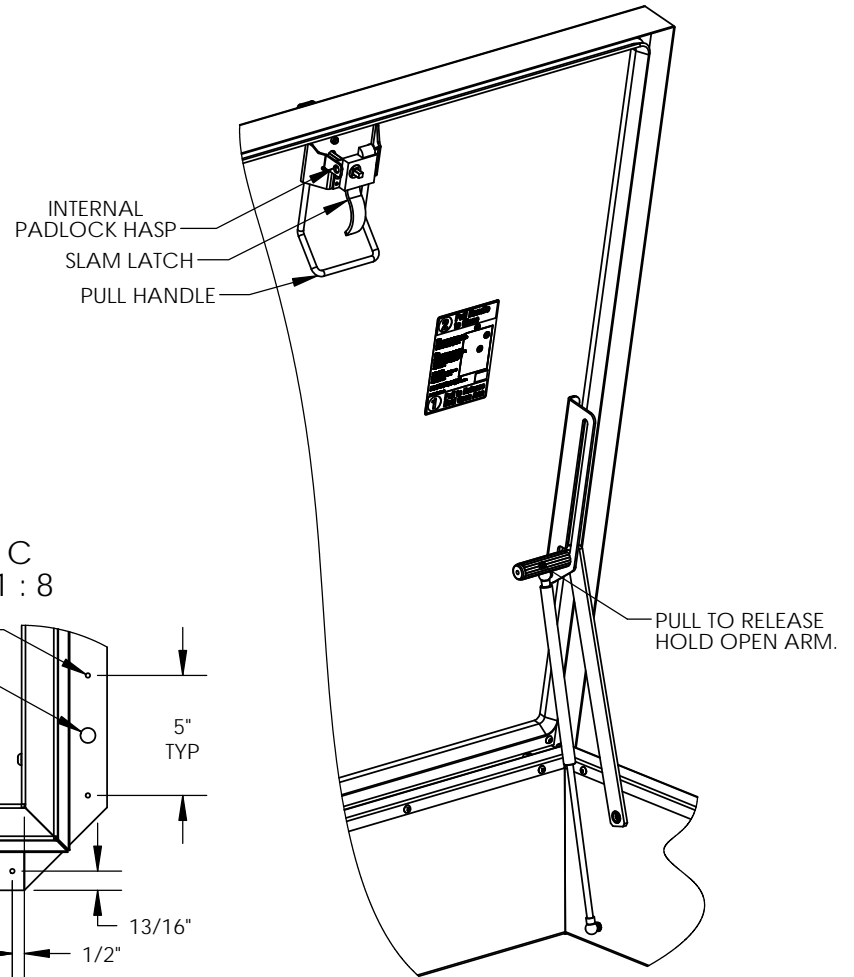
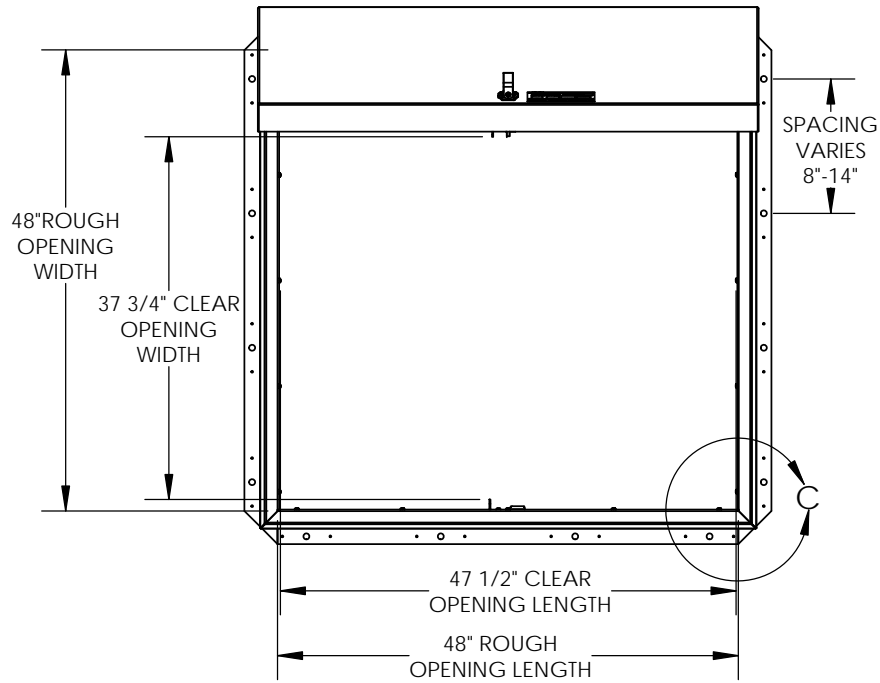
- ⑨ **LATCH:** ZINC PLATED STEEL SLAM LATCH, HOLDS COVER CLOSED AGAINST 20PSF WIND UPLIFT, INTERIOR AND EXTERIOR TURN HANDLES WITH PADLOCK HASPS.
- ⑩ **PULL HANDLE:** INTERIOR PULL DOWN HANDLE, SAFETY YELLOW POWDER COAT

NOTES:
 -WHEN INSTALLING ON A PITCHED ROOF UP TO 7:12, THE HINGE SIDE(LENGTH)MUST BE PARALLEL TO THE SLOPE.
 - WIDTH X LENGTH DIMENSIONS ARE MEASURED INSIDE CURB TO INSIDE CURB. THE WIDTH IS HINGE TO LATCH AND LENGTH IS HINGED SIDE.

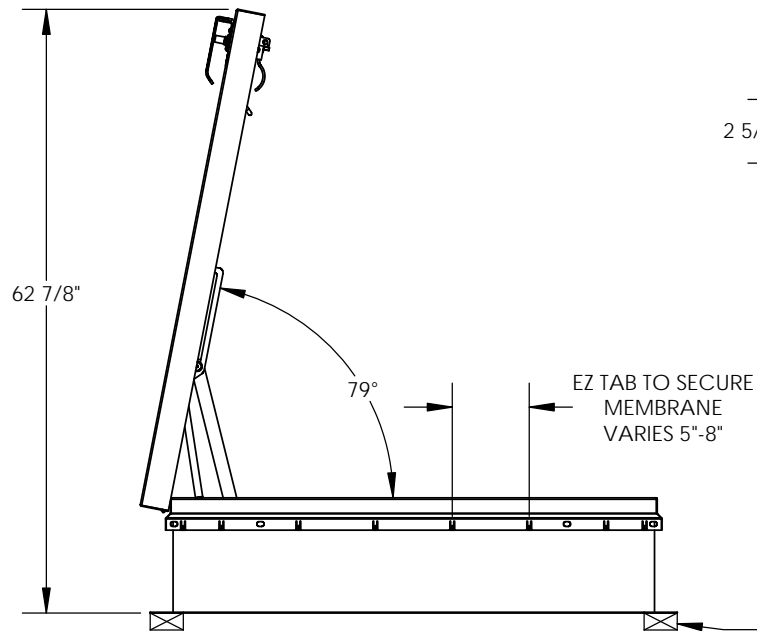
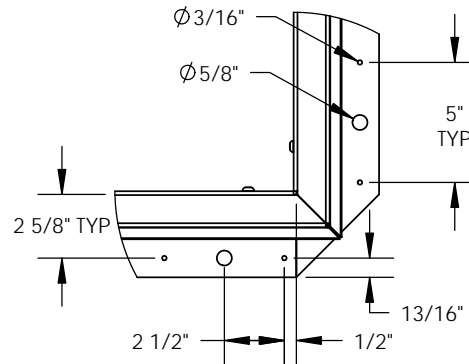
ROOF HATCH SIZE 48" (WIDTH) x 48" (LENGTH)
CLEAR OPENING 37 3/4"(WIDTH) x 47 1/2" (LENGTH)
ROUGH OPENING 48" (WIDTH) x 48" (LENGTH)

PROPRIETARY AND CONFIDENTIAL: THE INFORMATION CONTAINED IN THIS DRAWING IS THE SOLE PROPERTY OF NYSTROM. ANY REPRODUCTION IN PART OR AS A WHOLE WITHOUT THE WRITTEN PERMISSION OF NYSTROM IS PROHIBITED.

PROJECT:				
ARCHITECT:				
CONTRACTOR:				
QTY:				
PART:		G4848		
nystrom 9300 73rd Avenue North Minneapolis, MN 55428		TITLE: RHUG48X48S1T Roof Hatch Personnel II, 48x48, S Dr, Galvnl Steel, Gray Pwd, Sngl Wall Curb		
NAME	DATE	SIZE	DWG. NO.	REV
DRAWN SGS	04/01/15	A	G4848	-
RELEASED IMT	04/01/15	WEIGHT: 207 lbs	SHEET 1 OF 2	



DETAIL C
SCALE 1 : 8



WOOD, CONCRETE, OTHER MATERIAL FOR MOUNTING BY OTHERS (NIC)

			TITLE: RHUG48X48S1T Roof Hatch Personnel II, 48x48, S Dr, Galvn Steel, Gray Pwd, Sngl Wall Curb		
9300 73rd Avenue North Minneapolis, MN 55428			SIZE A	DWG. NO. G4848	REV -
DRAWN SGS	DATE 04/01/15	RELEASED IMT	WEIGHT: 207 lbs	SHEET 2 OF 2	