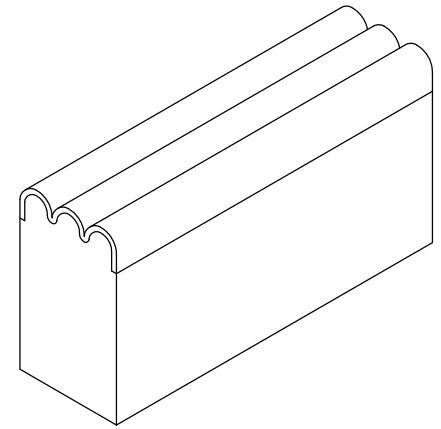
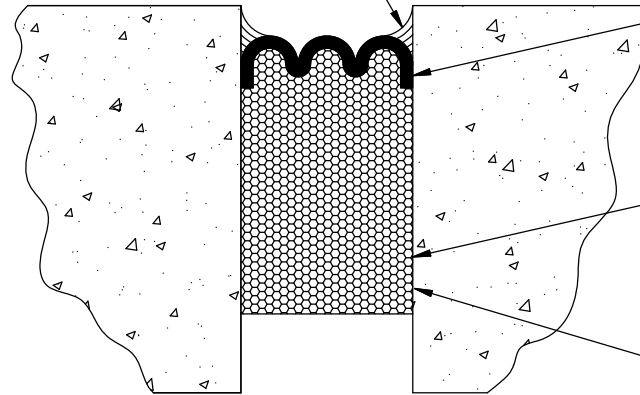


HES SERIES		
MODEL	JOINT NOMINAL	DEPTH
EJ-HES-050	1/2"	1 1/2"
EJ-HES-075	3/4"	1 1/2"
EJ-HES-100	1"	1 1/2"
EJ-HES-125	1 1/4"	2 1/4"
EJ-HES-150	1 1/2"	2 1/4"
EJ-HES-175	1 3/4"	2 1/2"
EJ-HES-200	2"	2 1/2"
EJ-HES-225	2 1/4"	2 1/2"
EJ-HES-250	2 1/2"	2 3/4"
EJ-HES-275	2 3/4"	3"
EJ-HES-300	3"	3 1/2"
EJ-HES-325	3 1/4"	3 3/4"
EJ-HES-350	3 1/2"	3 3/4"
EJ-HES-375	3 3/4"	4 1/4"
EJ-HES-400	4"	4 1/2"
EJ-HES-425	4 1/4"	4 1/2"
EJ-HES-450	4 1/2"	5"
EJ-HES-475	4 3/4"	5 1/4"
EJ-HES-500	5"	5 1/2"
EJ-HES-525	5 1/4"	5 3/4"
EJ-HES-550	5 1/2"	5 3/4"
EJ-HES-575	5 3/4"	5 3/4"
EJ-HES-600	6"	6"
EJ-HES-650	6 1/2"	6 1/2"
EJ-HES-700	7"	7"
EJ-HES-750	7 1/2"	7 1/2"
EJ-HES-800	8"	8"



FIELD APPLIED SEALANT BAND AND CORNER BEAD



WATERTIGHT FACTORY-APPLIED SILICONE BELLOWS

WATER-BASED, ACRYLIC-INFUSED EXPANDING FOAM ANCHORING SYSTEM

EPOXY ADHESIVE BOTH SIDES OF GAP

FLOOR TO FLOOR

HES SERIES COLORS
Limestone
White
Beige
Light Gray
Black
Medium Bronze
Sandstone
Adobe Tan
Dusty Rose
Quarry Red
Charcoal
Colonial White

HES Product Notes

1. Ideally suited for ensuring watertightness in horizontal-plane structural, seismic, and abutment joints in non-trafficked decks of cast-in-place, precast or post-tensioned concrete.
2. Sizes under 1 1/2" (40mm) are manufactured with a single bellows. Larger sizes incorporate multiple bellows.
3. Joint movement capability is + 50% and - 50% (100% total) of nominal material size.

CUSTOMER:			
JOB REF:			
LOCATION:			
QTY:			
<p>9300 73rd Avenue North Minneapolis, MN 55428</p>		TITLE:	
		EJ-HES SERIES, EJ Seal, Int/Ext, Floor to Floor, Compression, Seismic, 6.56 FT Lengths	
NAME	DATE	SIZE	DWG. NO.
DRAWN	DKL	7/16/19	A
RELEASED	GLN	7/16/19	WEIGHT:
EJ-HES SERIES			REV B
SHEET 1 OF 1			