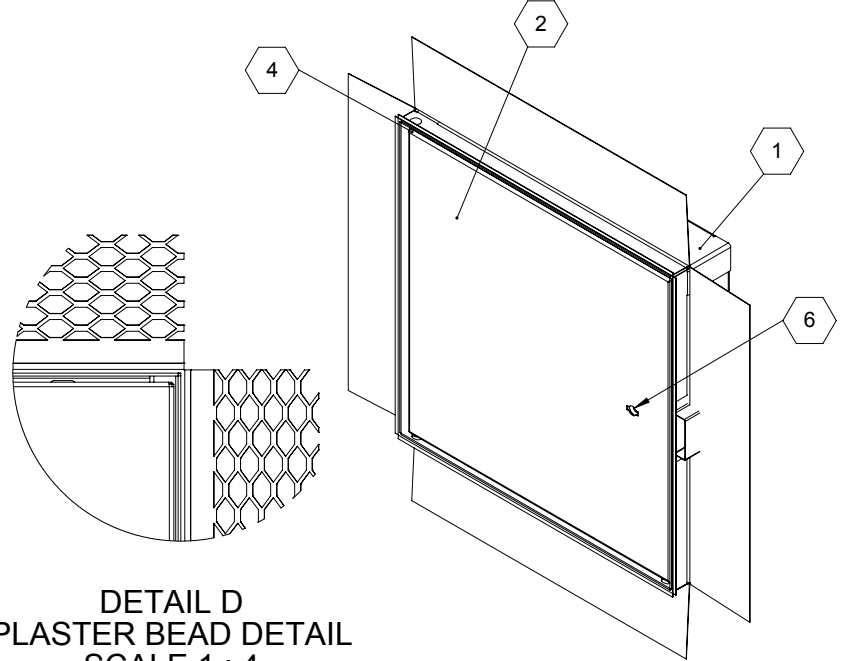
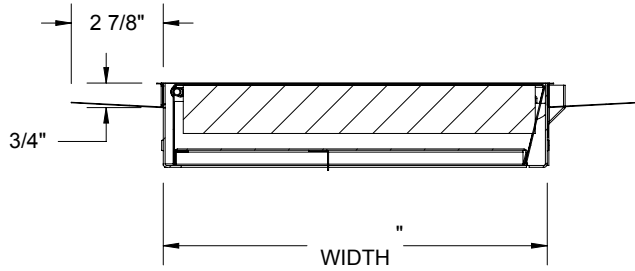


DETAIL D
PLASTER BEAD DETAIL
SCALE 1 : 4



SECTION A-A



SECTION B-B

ROUGH OPENING: " X " "
 CLEAR OPENING: " X " "
 DEGREE OF OPENING: ° X ° "

HORIZONTAL
 1 HR WOOD-FRAME CONSTRUCTION
 3 HR NON-COMBUSTABLE CONSTRUCTION
VERTICAL
 1-1/2 HOUR "B" LABEL
 ON SIZES UP TO AND INCLUDING 24" W X 36" H.

NOTES:

- ① **FRAME:**
- ② **DOOR:**
- ③ **FINISH:**
- ④ **HINGE:**
- ⑤ **SECONDARY LATCH:**
- ⑥ **LOCK:** Knurled Knob/Keyed Slam Latch
- ⑦ **INSULATION:** 2" Thick Fire Rated Mineral Wool, 8 R-Value

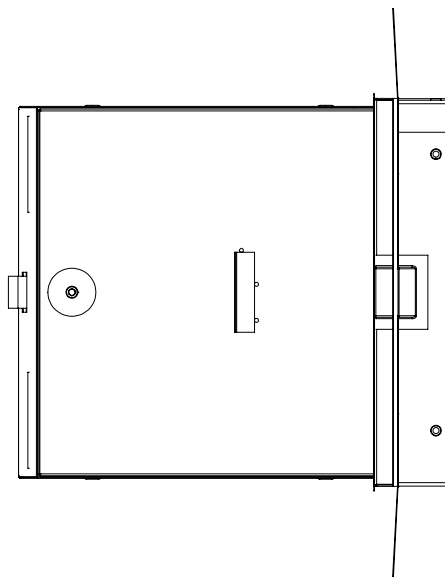
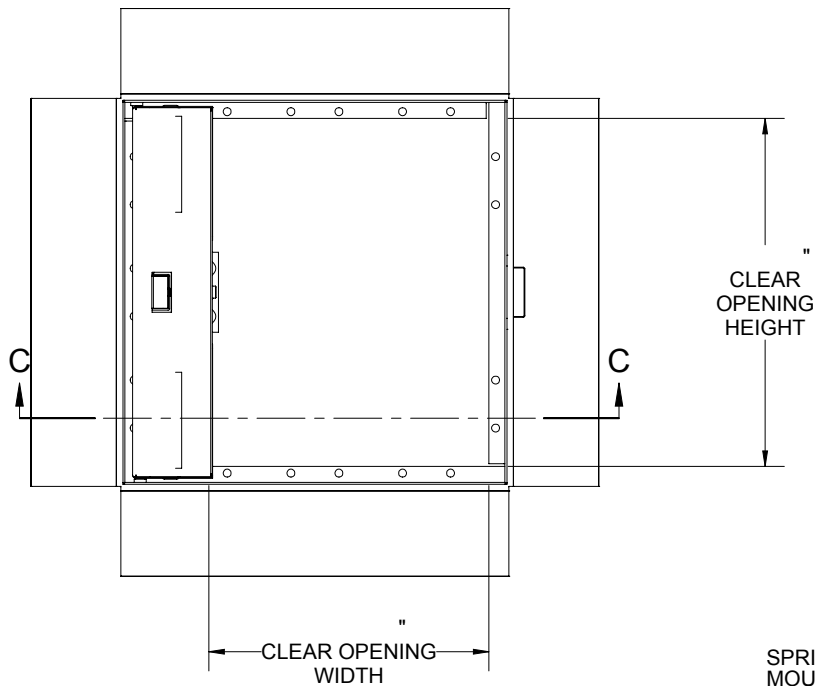


PROJECT:			
ARCHITECT:			
CONTRACTOR:			
QTY:			
PART#:			
		TITLE:	
		9300 73rd Avenue North Minneapolis, MN 55428	
NAME	DATE	SIZE	DWG. NO.
DRAWN		A	
RELEASED		WEIGHT: VARIES	SHEET 1 OF 2

PROPRIETARY AND CONFIDENTIAL: THE INFORMATION CONTAINED IN THIS DRAWING IS THE SOLE PROPERTY OF NYSTROM. ANY REPRODUCTION IN PART OR AS A WHOLE WITHOUT THE WRITTEN PERMISSION OF NYSTROM IS PROHIBITED.

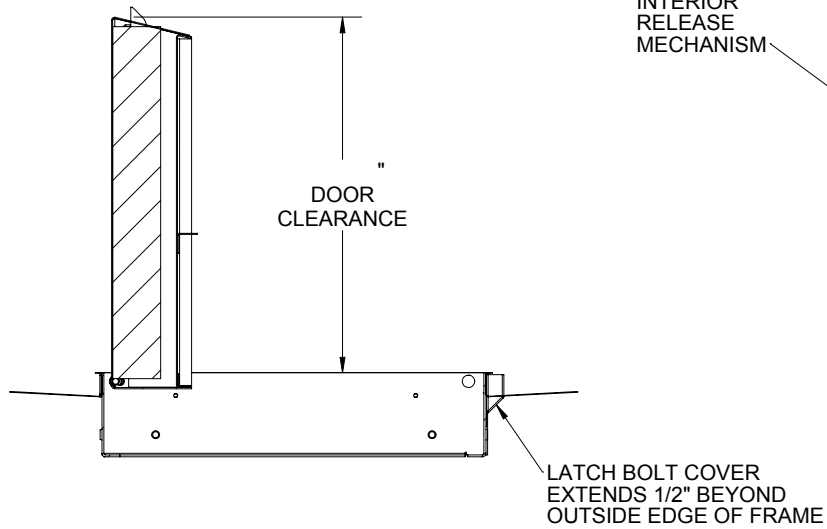
B

B



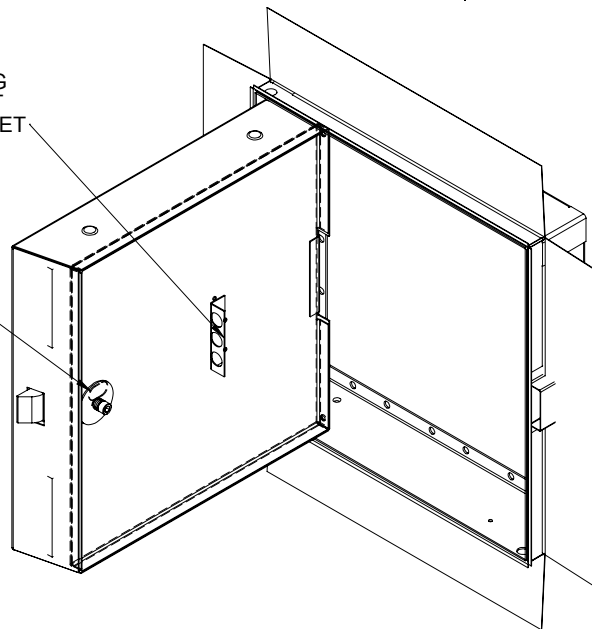
A

A



INTERIOR RELEASE MECHANISM

SPRING MOUNT BRACKET



PART#:		TITLE:			
nystrom		9300 73rd Avenue North Minneapolis, MN 55428			
NAME	DATE	SIZE	DWG. NO.	REV	
DRAWN		A		-	
RELEASED		WEIGHT: VARIES		SHEET 2 OF 2	