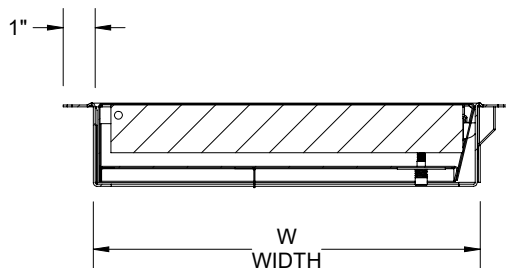
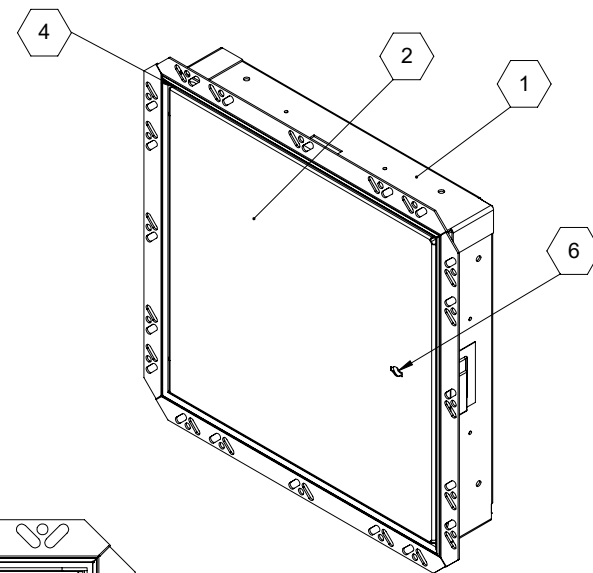


SECTION A-A



SECTION B-B

ROUGH OPENING: $W + 0.25" \times H + 0.25"$
CLEAR OPENING: $W - 3.25" \times H - 1.125"$
DEGREE OF OPENING: 120°



DETAIL D
 DRYWALL BEAD DETAIL
 SCALE 1 : 4

HORIZONTAL
 1 HR WOOD-FRAME CONSTRUCTION
 3 HR NON-COMBUSTABLE CONSTRUCTION
VERTICAL
 1-1/2 HOUR "B" LABEL
 ON SIZES UP TO AND INCLUDING 24" W X 36" H

NOTES:

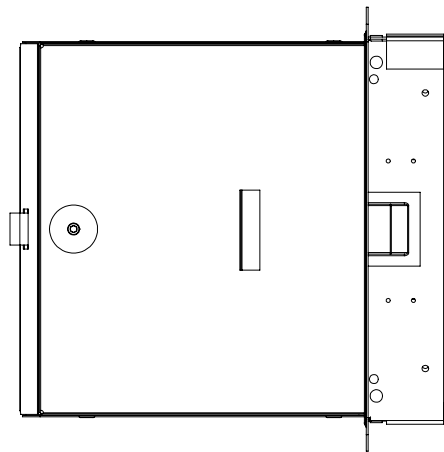
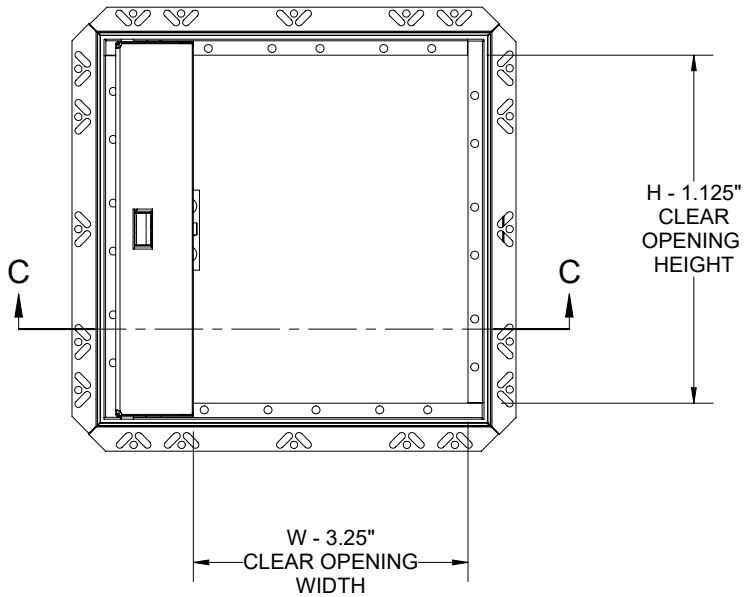
- ① **FRAME:** Cold Rolled Steel 16 ga, Drywall Bead
- ② **DOOR:** Cold Rolled Steel, 20 ga
- ③ **FINISH:** White Powder Coat
- ④ **HINGE:** Concealed Pin Hinge
- ⑤ **SECONDARY LATCH:** Varies
- ⑥ **LOCK:** Knurled Knob/Keyed Slam Latch
- ⑦ **INSULATION:** 2" Thick Fire Rated Mineral Wood, 8 R-Value



PROJECT:					
ARCHITECT:					
CONTRACTOR:					
QTY:					
PART#:		IWK_			
 9300 73rd Avenue North Brooklyn Park, MN 55428		TITLE: Access Door, Fire-rated, WxH, Insulated CRS, Flush Dr, Drywall Flg			
		NAME	DATE	SIZE	DWG. NO.
DRAWN			A	IWK ShpDr	-
RELEASED			WEIGHT: VARIES	SHEET 1 OF 2	

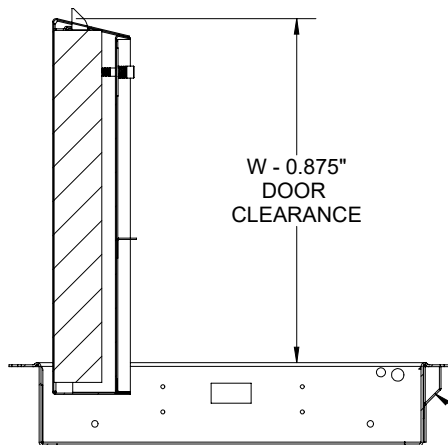
B

B



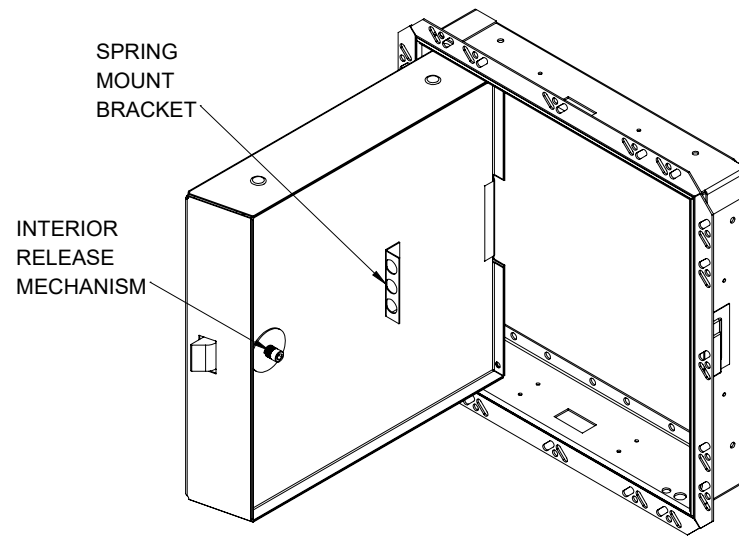
A

A



SECTION C-C

LATCH BOLT COVER
EXTENDS 1/2" BEYOND
OUTSIDE EDGE OF FRAME



9300 73rd Avenue North
Brooklyn Park, MN 55428

TITLE: Access Door, Fire-rated,
WxH, Insulated
CRS, Flush Dr, Drywall Flg

NAME	DATE	SIZE	DWG. NO.	REV
DRAWN		A	IWK ShpDr	-
RELEASED		WEIGHT: VARIES		SHEET 2 OF 2