

9300 73rd Ave N.
Brooklyn Park, MN 55428

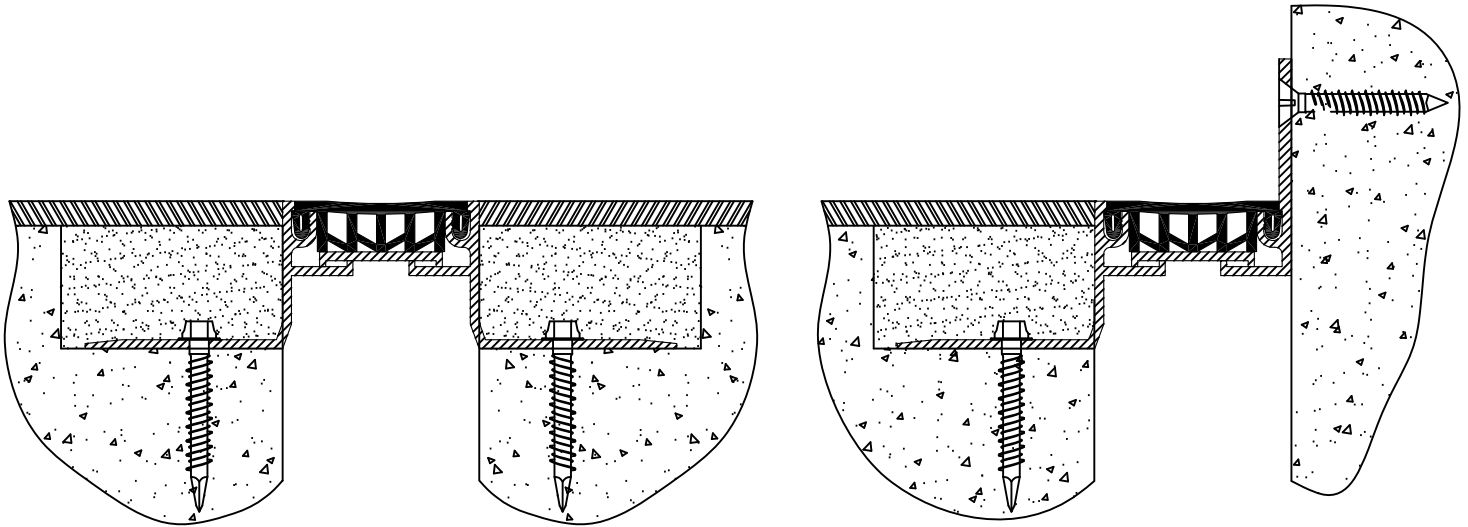
Toll-Free: 800-547-2635
Fax 800-317-8770



Right to site.

Direct Phone: 763-488-9200
Direct Fax: 763-488-9201

e-mail: info@nystrom.com
Internet: www.nystrom.com




Seal Flooring – Standard Series Model(s) "EJ-LCF-100/200" & "EJ-LCF-100W/200W" Horizontal Expansion Control Systems

The following installation procedure is very important and must be fully understood prior to beginning any work. To ensure proper installation and performance of expansion joint system the following actions must be completed by the installing contractor. Failure to do so will affect product warranty.

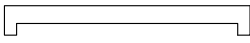
- 1) Carefully read and understand installation procedure. Contact Technical Service Department for product assistance.
- 2) Inspect all shipments and materials for missing or damaged components and hardware. Contact Customer Service with order number and invoice for prompt assistance.
- 3) Inspect substrate or adjacent construction for acceptance before beginning work. Report unacceptable construction to the project manager for scheduled repair work.

PN: 28041A

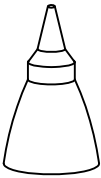
Standard Components



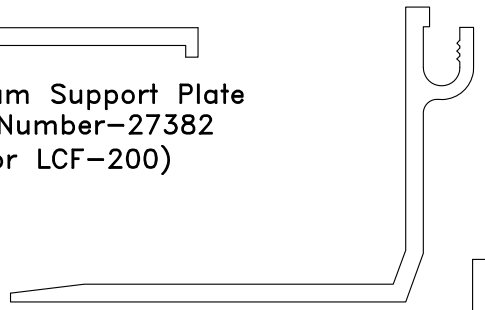
1/4" x 1 3/4" Threaded
Concrete Anchor
Part Number-27507



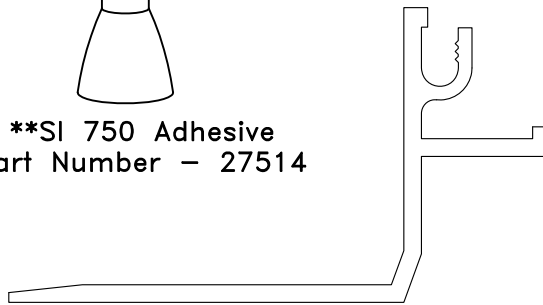
Aluminum Support Plate
Part Number-27382
(for LCF-200)



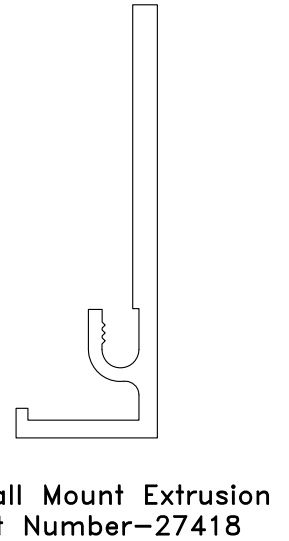
**SI 750 Adhesive
Part Number - 27514



Floor Mount Extrusion
Part Number-27378



2" Floor Mount Extrusion
Part Number-27381

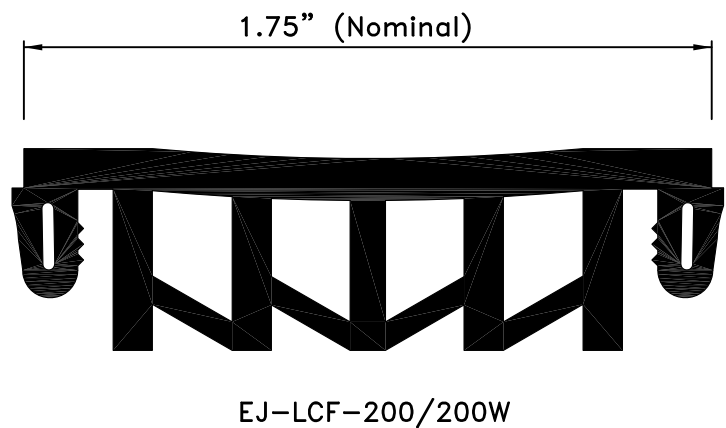
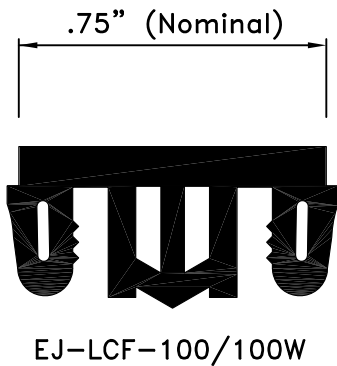


*2" Wall Mount Extrusion
Part Number-27418

*Wall Mount Extrusion
Part Number-27478

*Components required for corner condition
**Optional components for splice procedures. Place order for required quantities.

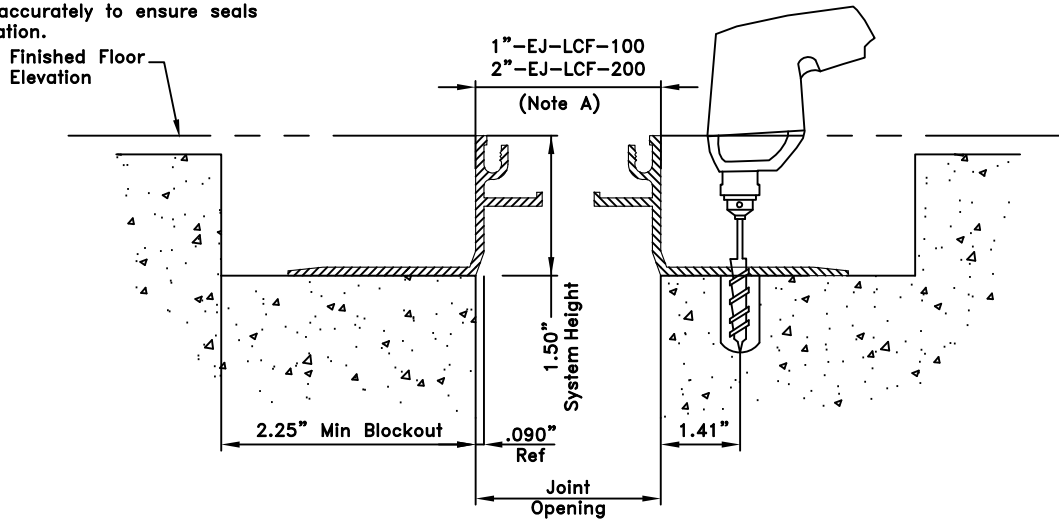
Components shown below vary in size depending on model of system



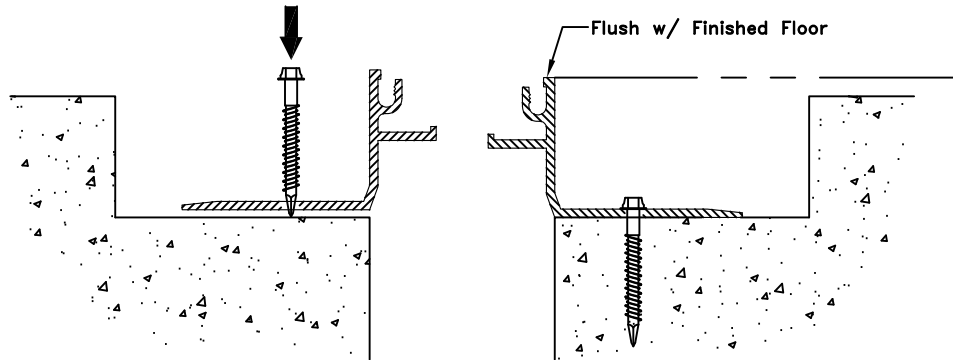
Seal Part Number				
Model	Black Seal	White Seal	Grey Seal	Beige Seal
EJ-LCF-100/100W	28001	28002	28003	28004
EJ-LCF-200/200W	28005	28006	28007	28008

Installation Procedure

Note A:
Opening between aluminum extrusions must be set accurately to ensure seals proper installation.

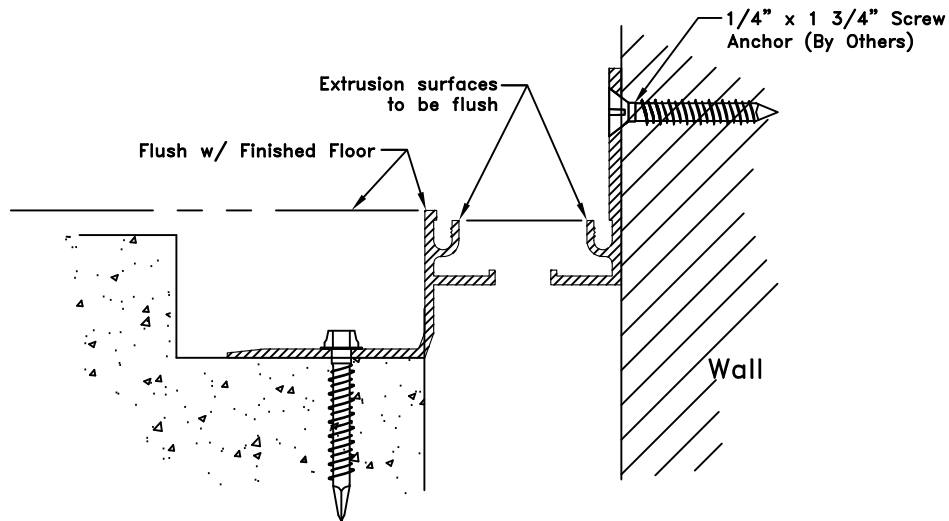


1 Position aluminum extrusions on block-outs as shown. Use 2" section of seal on both ends of extrusion as gauge to ensure proper separation. Drill holes for 1/4" dia concrete anchor. Maintain alignment of extrusion adjacent to opening as shown.

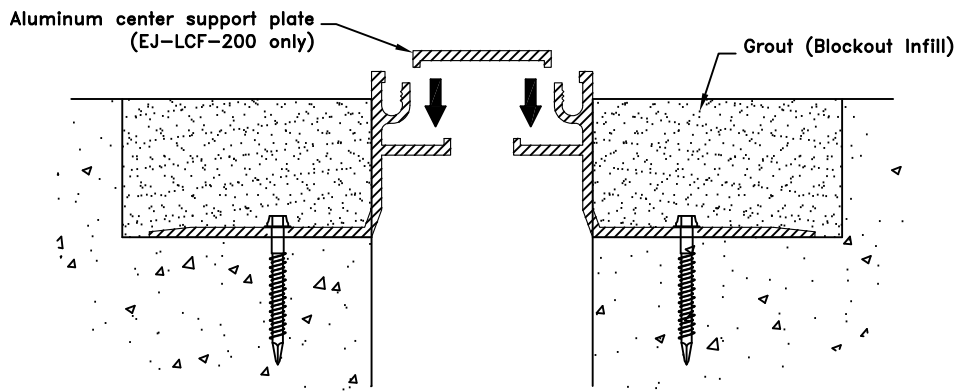


2 Secure extrusions to slab by following manufacturers recommendations for proper anchor installation.

Corner Condition

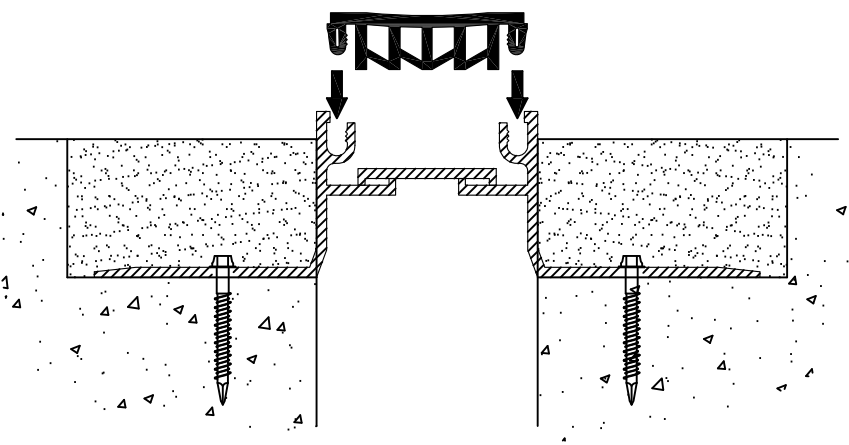


2A Secure extrusions to slab by following manufacturers recommendations for proper anchor installation. Use 2" section of seal on both ends of extrusion as gauge to ensure proper separation. Along corner condition use the proper anchor (supplied by others) to mount wall Extrusion to wall. Note: Wall mount estrusion not pre-drilled by manufacturer.



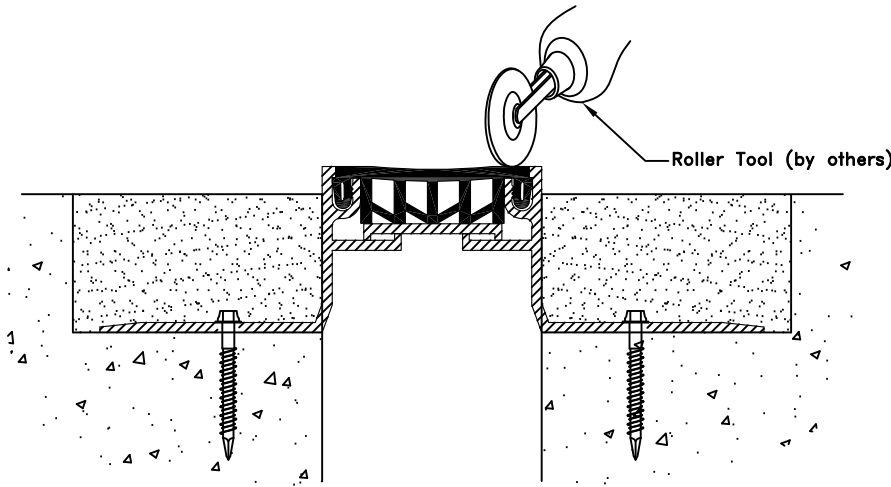
3

Install grout into blockout (Purchased separately).
Note: Protect surfaces during placement of blockout infill.



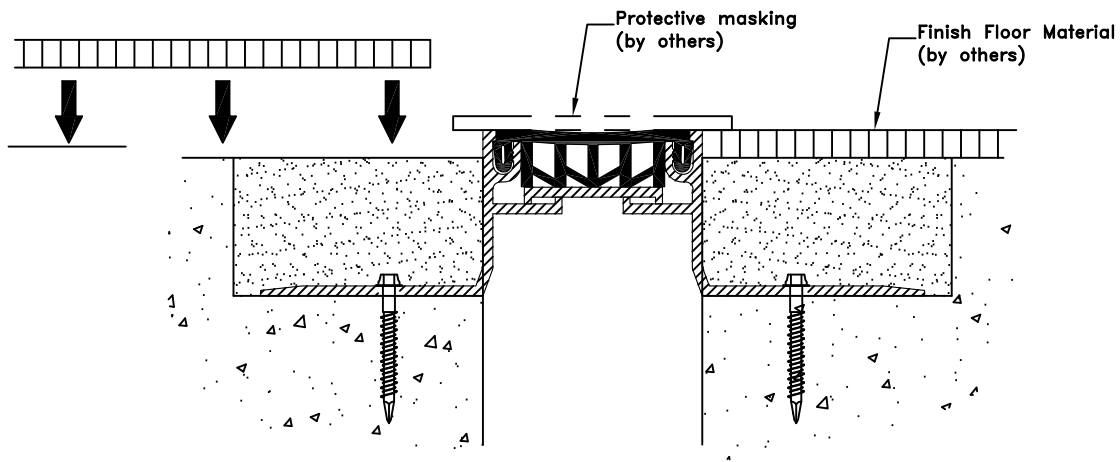
4

Squeeze into or slide Elastomeric seal into Aluminum Extrusions



5

Utilizing roller tool apply pressure directly over locking lug to ensure proper engagement of seal lug. Thumb pressure may be the only requirement.

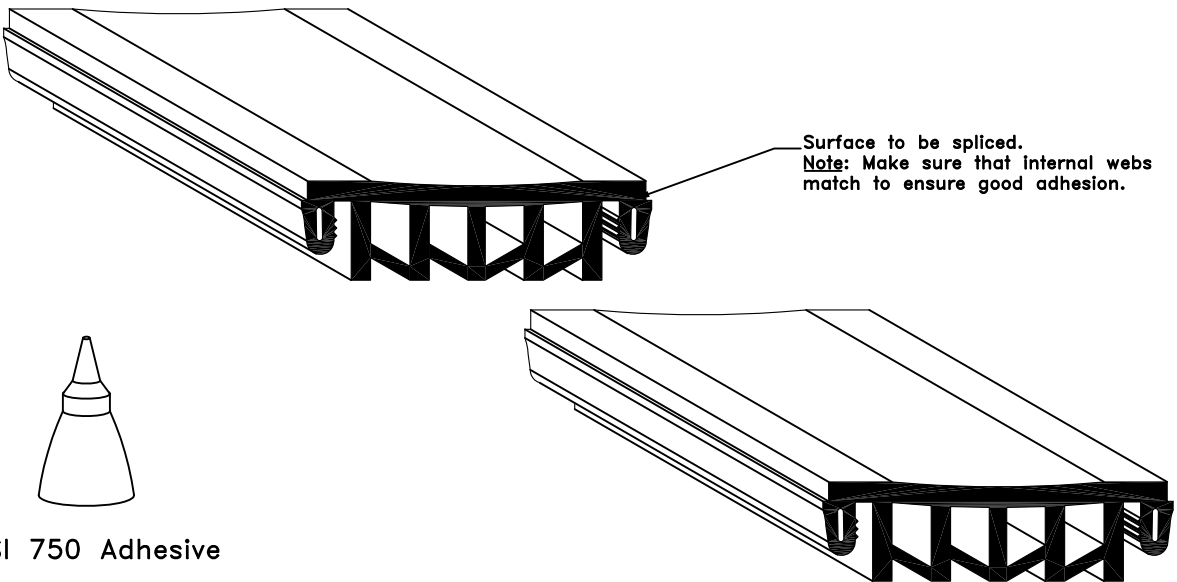


6

Following manufacturers installation procedures install finish flooring materials. Ensure flush installation with top of expansion joint system.
Note: Protect expansion joint finish during installation of finish flooring materials. Also keep protection on expansion joint system during construction activities.

Suggested Field Splice Procedure

1. Cut ends of seal with a sharp knife and miter box to the desired angle. Insure that cuts are clean and straight.
2. Clean ends of seal with a solvent.
3. Apply SI 750 Adhesive to one of the two seal ends to be bonded.
4. Apply pressure bringing the two surfaces into tight contact immediately after adhesive is applied. Hold in place for one to two minutes for initial bond.
5. Re-Check quality of all splices/miters and apply adhesive as required.
7. It is usually recommended to allow 15 minutes prior to installing seal. To achieve proper working strength care shall be exercised as a result that it takes 24 hours for adhesive to fully cure.



SI 750 Adhesive