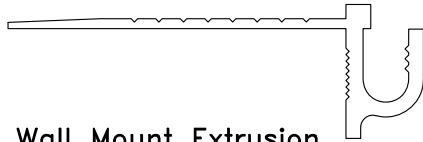


Seal Wall – Standard Series Model(s) "EJ-LCWM-100W/200W/300W" Vertical Expansion Control Systems

The following installation procedure is very important and must be fully understood prior to beginning any work. To ensure proper installation and performance of expansion joint system the following actions must be completed by the installing contractor. Failure to do so will affect product warranty.

- 1) Carefully read and understand installation procedure. Contact Technical Service Department for product assistance.
- 2) Inspect all shipments and materials for missing or damaged components and hardware. Contact Customer Service with order number and invoice for prompt assistance.
- 3) Inspect substrate or adjacent construction for acceptance before beginning work. Report unacceptable construction to the project manager for scheduled repair work.

Standard Components



Wall Mount Extrusion
Part Number-27428



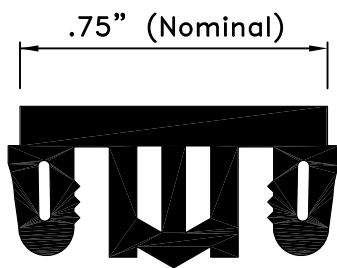
Corner Wall Mount Extrusion
Part Number-27478



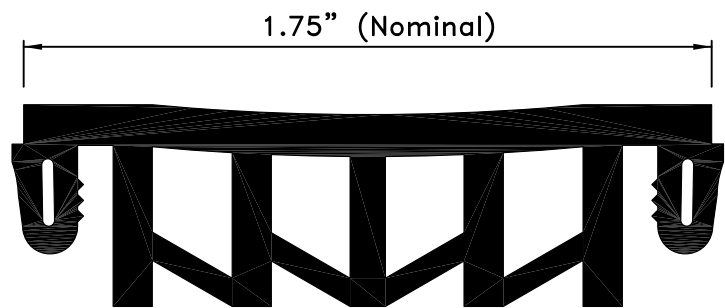
**SI 750 Adhesive
Part Number - 27514

**Optional components for splice procedures. Place order for required quantities.

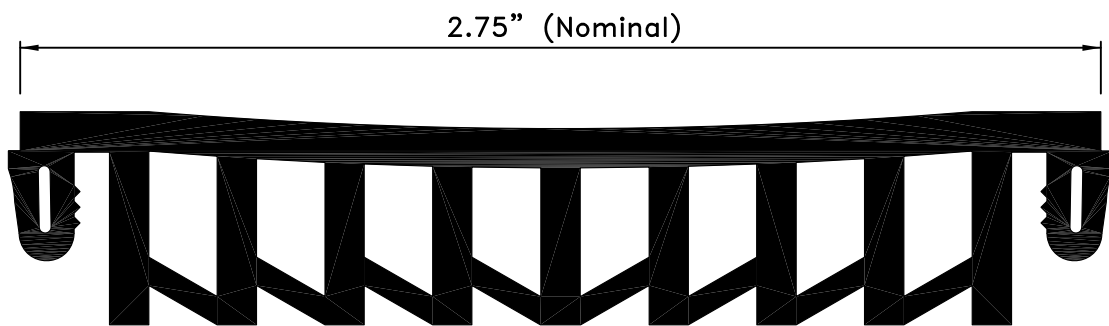
Components shown below vary in size depending on model of system



EJ-LCWM-100W



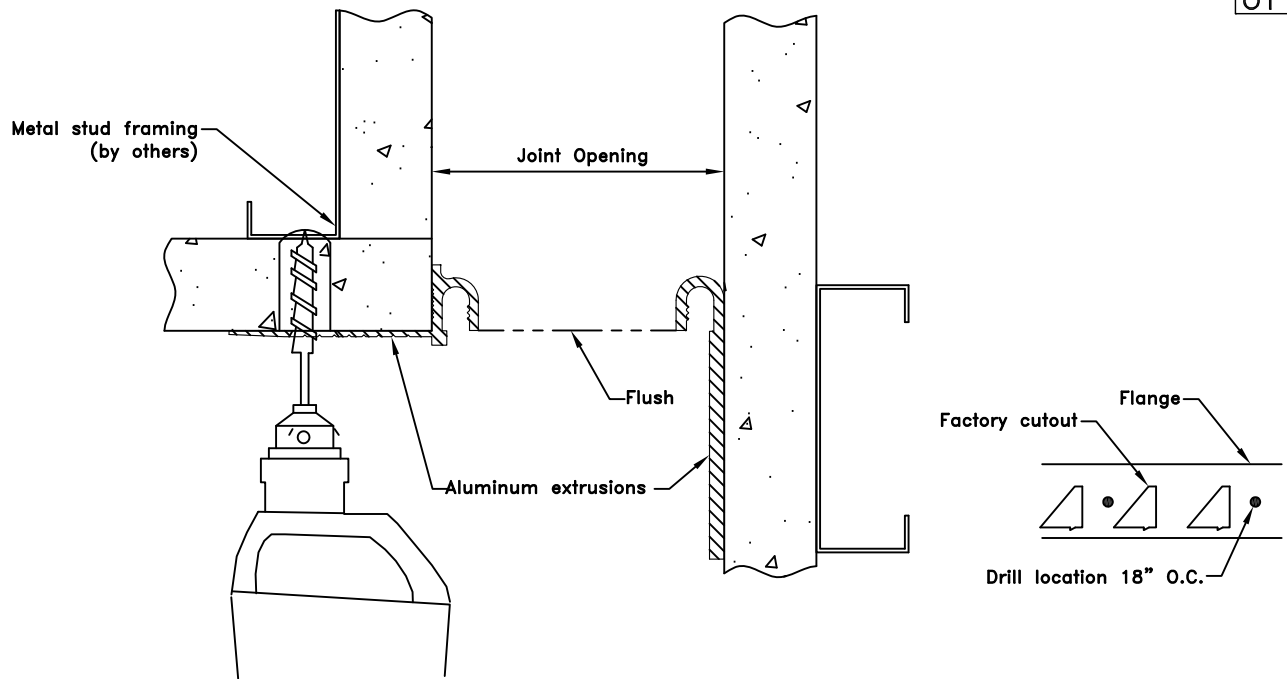
EJ-LCWM-200W



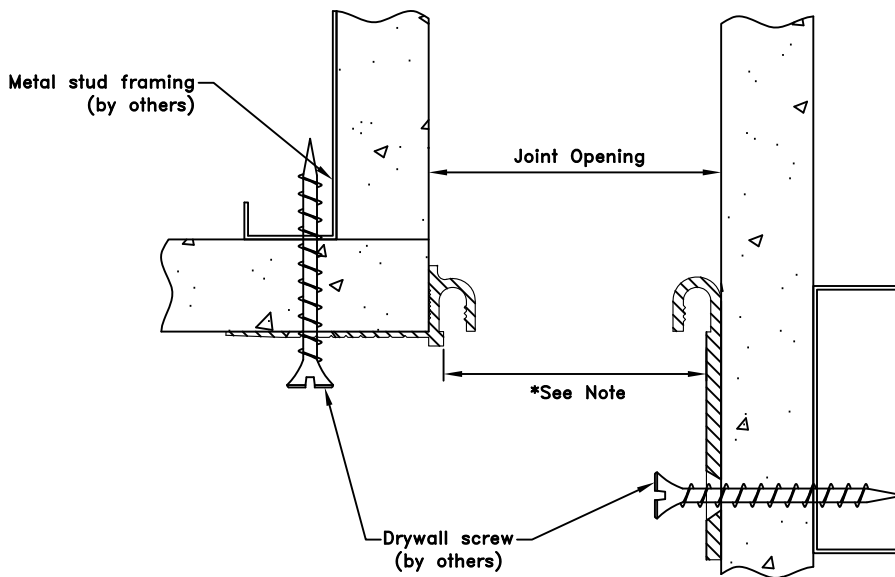
EJ-LCWM-300W

Seal Part Number				
Model	Black Seal	White Seal	Grey Seal	Beige Seal
EJ-LCWM-100W	28001	28002	28003	28004
EJ-LCWM-200W	28005	28006	28007	28008
EJ-LCWM-300W	28031	28032	28033	28034

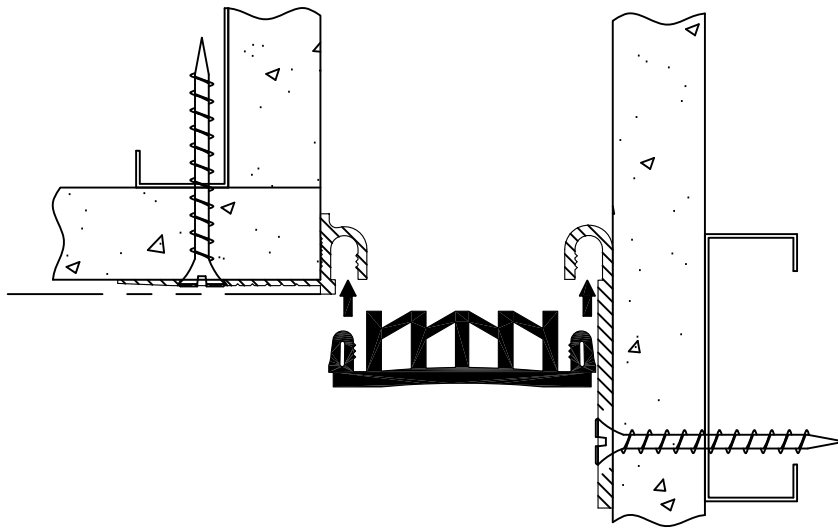
Installation Procedure



- 1 Position aluminum extrusions and mark hole locations. Use 2\"

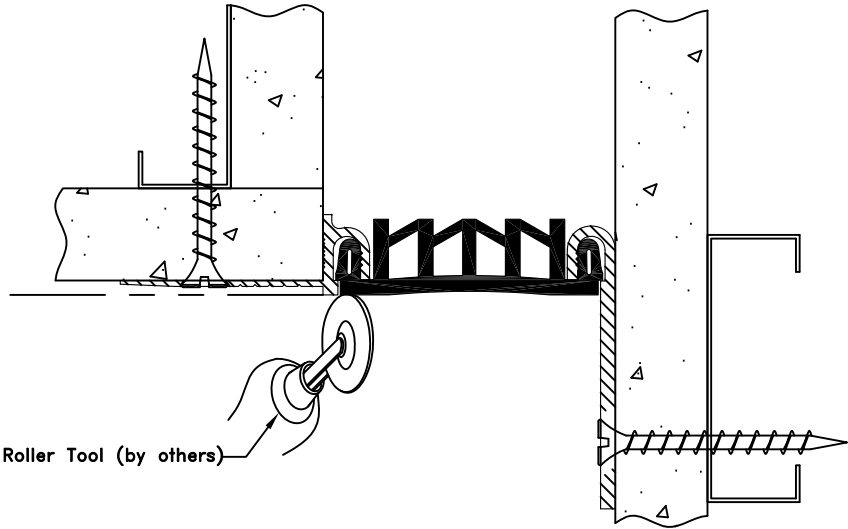


- 2 Utilizing a screwdriver, secure aluminum extrusions to wall with drywall screws (by others). Ensure that countersunk heads are sufficiently recessed to allow proper finishing of wall surface.
*Note: Opening between aluminum extrusions must be set accurately to ensure proper seal installation.



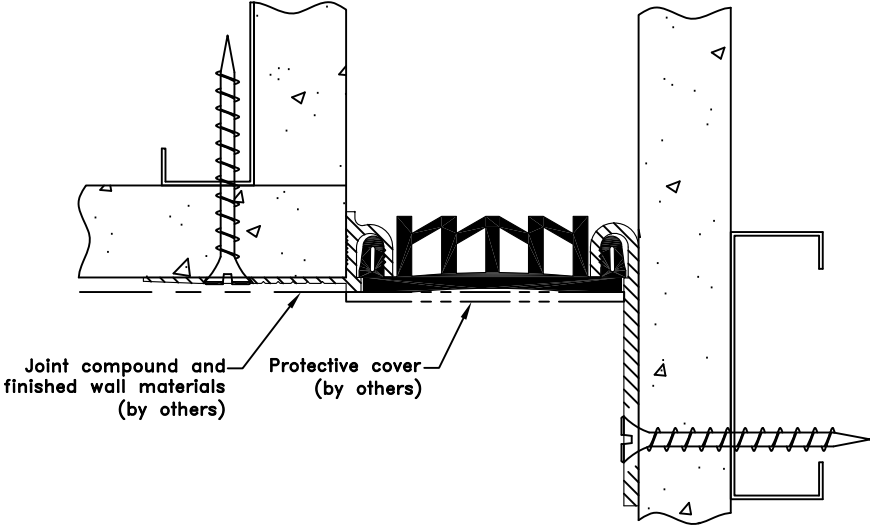
3

Squeeze or slide elastomeric seal into the cavities of the aluminum extrusion.



4

Utilizing roller tool apply pressure directly over locking lug to ensure proper engagement of seal lug.



5

Apply joint compound to flange and feather smooth. Ensure full compaction of compound into slots and flange areas. Protect seal and finished aluminum surfaces from joint compound.
Note: Clean flanges of any dust, oil or other contaminants prior to applying joint compound.

Suggested Field Splice Procedure

1. Cut ends of seal with a sharp knife and miter box to the desired angle. Insure that cuts are clean and straight.
2. Clean ends of seal with a solvent.
3. Apply SI 750 Adhesive to one of the two seal ends to be bonded.
4. Apply pressure bringing the two surfaces into tight contact immediately after adhesive is applied. Hold in place for one to two minutes for initial bond.
5. Re-Check quality of all splices/miters and apply adhesive as required.
7. It is usually recommended to allow 15 minutes prior to installing seal. To achieve proper working strength care shall be exercised as a result that it takes 24 hours for adhesive to fully cure.

