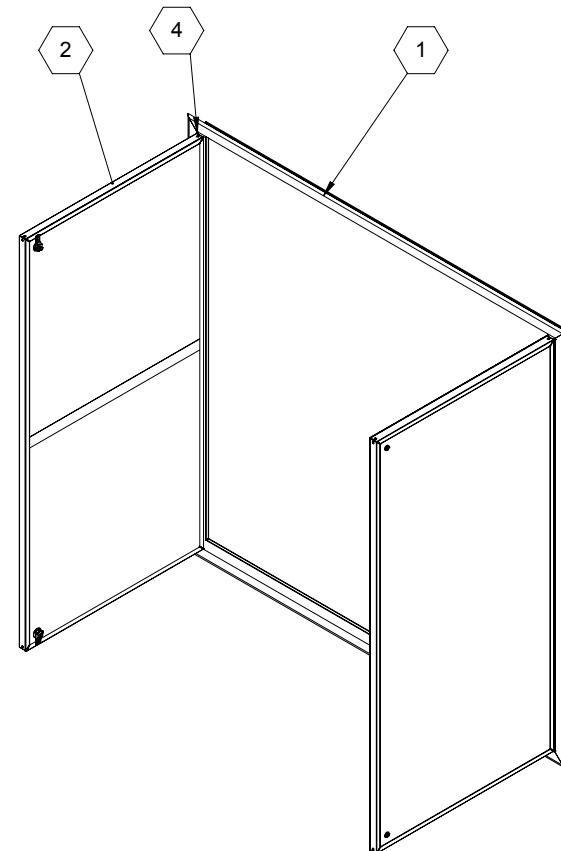



SECTION B-B



NOTES:

- ① **FRAME:** .080-6063-T5 Extruded Aluminum
- ② **DOOR:** .045-6063-T5 Extruded Aluminum, 24 Ga Galv Steel
- ③ **FINISH:** Clear Anodized Frames, Pre-Finished White Embossed Door
- ④ **HINGE:** Varies, See Page 2
- ⑤ **LATCH:** Varies, See Page 2
- ⑥ **LOCK:** Varies, See Page 2
- ⑦ **INSULATION:** 3/4" Extruded Polystyrene Insulation, 3.8 R Value

ROUGH OPENING: $W + 1/4" \times H + 1/4"$
CLEAR OPENING: $W - 2" \times H - 1-11/16"$

PROJECT:			
ARCHITECT:			
CONTRACTOR:			
QTY:			
PART#:		LWD Cut Sheet	
 <small>Right to site. 9300 73rd Avenue North Brooklyn Park, MN 55428</small>		TITLE:	
		Access Door, Lightweight, Double Door	
NAME	DATE	SIZE	DWG. NO.
DRAWN		A	Nystrom AD LWD Cut Sheet
RELEASED		WEIGHT: Varies	REV -

B

B

A

LATCH OPTIONS

SCREWDRIVER CAM (T) (STANDARD CAM)

HINGE OPTIONS

FLUSH CONTINUOUS ALUM PIANO HINGE
 NO HINGE (N)

LOCK OPTIONS

NO LOCK
 KEY OPERATED CAM LOCK (L)

MISC OPTIONS

GASKETING (G)
 .050" ALUMINUM PANEL INSERT, MILL FINISH (A)


STANDARD SIZES (WIDTH X HEIGHT) CUSTOMS AVAILABLE

48" x 48"

60" x 48"

72" x 48"

PROPRIETARY AND CONFIDENTIAL: THE INFORMATION CONTAINED IN THIS DRAWING IS THE SOLE PROPERTY OF NYSTROM. ANY REPRODUCTION IN PART OR AS A WHOLE WITHOUT THE WRITTEN PERMISSION OF NYSTROM IS PROHIBITED.

PROJECT:				
ARCHITECT:				
CONTRACTOR:				
QTY:				
PART#:		LWD Cut Sheet		
 Right to site. 9300 73rd Avenue North Brooklyn Park, MN 55428		TITLE: Access Door, Lightweight, Double Door		
NAME	DATE	SIZE	DWG. NO.	REV
DRAWN		A	Nystrom AD LWD Cut Sheet	-
RELEASED		WEIGHT: Varies		SHEET 2 OF 2