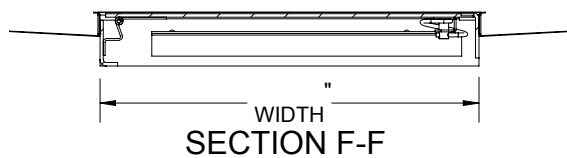
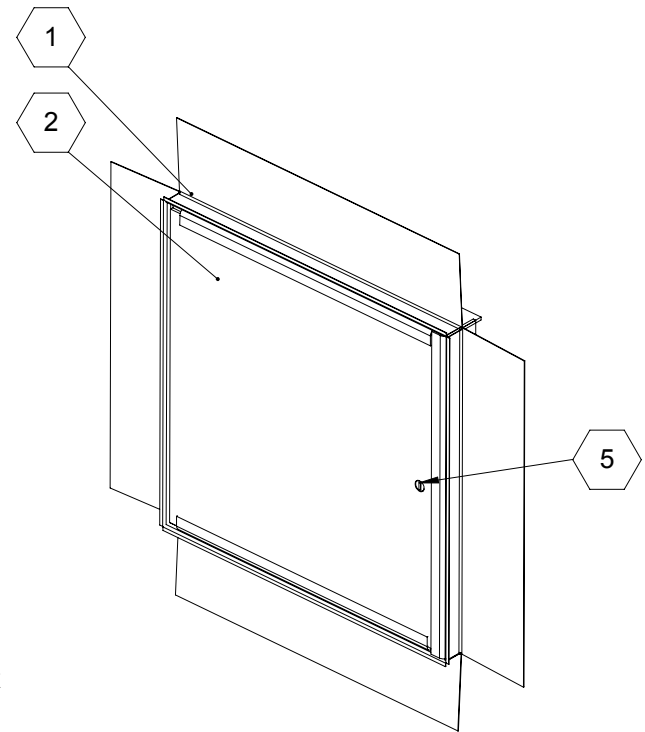
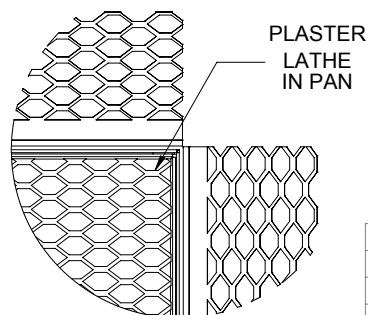


SECTION E-E



ROUGH OPENING: X
 CLEAR OPENING: X
 DEGREE OF OPENING: °



DETAIL D
PLASTER BEAD DETAIL
SCALE 1 : 4

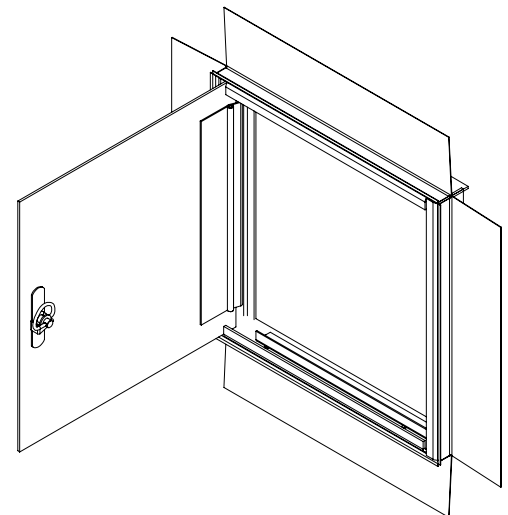
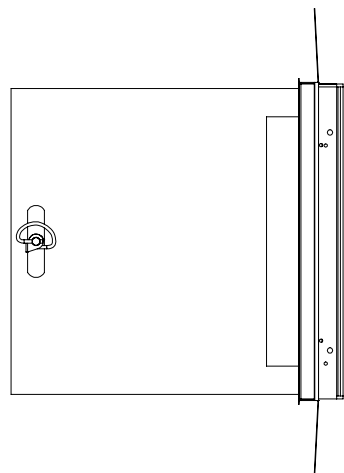
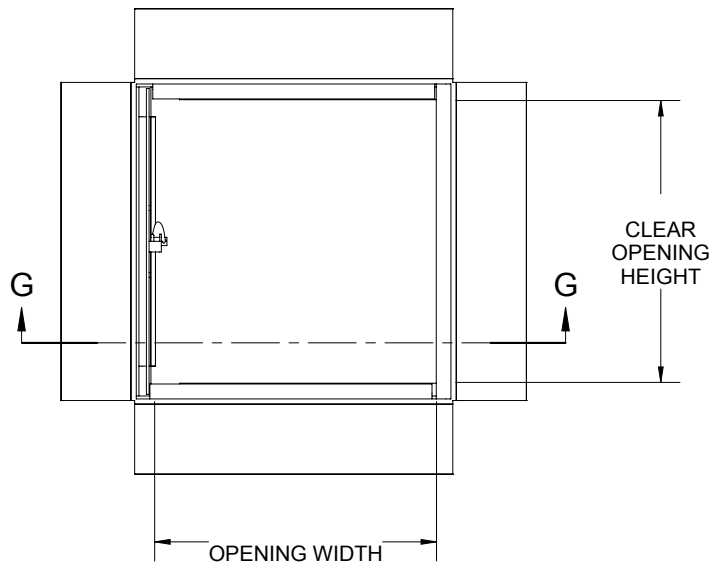
NOTES:

- ① FRAME:
- ② DOOR:
- 3 FINISH:
- ④ HINGE: CONCEALED CONTINUOUS PIANO HINGE
- ⑤ LATCH:
- ⑥ LOCK:

PROJECT:				
ARCHITECT:				
CONTRACTOR:				
QTY:				
PART#:				
nystrom	TITLE:			
9300 73rd Avenue North Minneapolis, MN 55428				
NAME	DATE	SIZE	DWG. NO.	REV
DRAWN		A	MP ShpDr	-
RELEASED			WEIGHT: VARIES	SHEET 1 OF 2

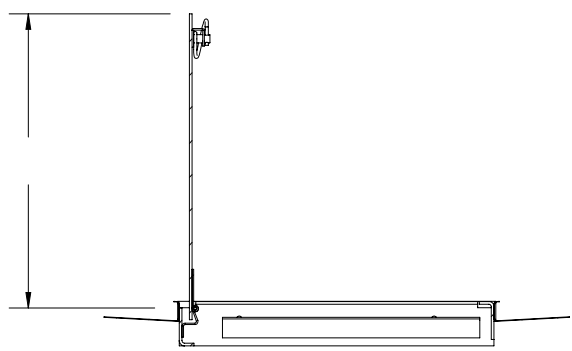
B

B



A

A



SECTION G-G

			TITLE:		
9300 73rd Avenue North Minneapolis, MN 55428					
	NAME	DATE	SIZE	DWG. NO.	REV
DRAWN			A	MP ShpDr	-
RELEASED			WEIGHT: VARIES		SHEET 2 OF 2

PROPRIETARY AND CONFIDENTIAL: THE INFORMATION CONTAINED IN THIS DRAWING IS THE SOLE PROPERTY OF NYSTROM. ANY REPRODUCTION IN PART OR AS A WHOLE WITHOUT THE WRITTEN PERMISSION OF NYSTROM IS PROHIBITED. ©2020 NYSTROM, INC.