

ROUGH OPENING: " X " "
CLEAR OPENING: " X " "
DEGREE OF OPENING: °

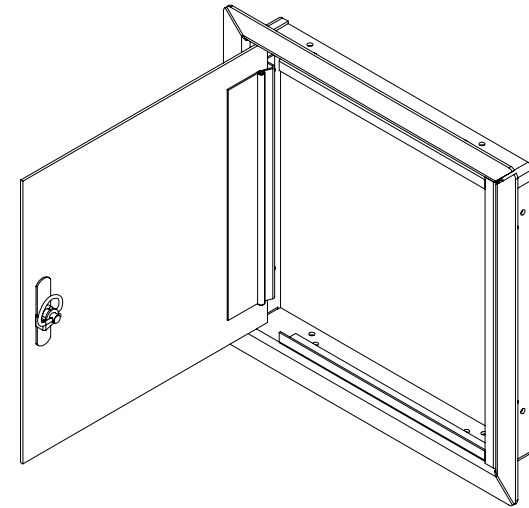
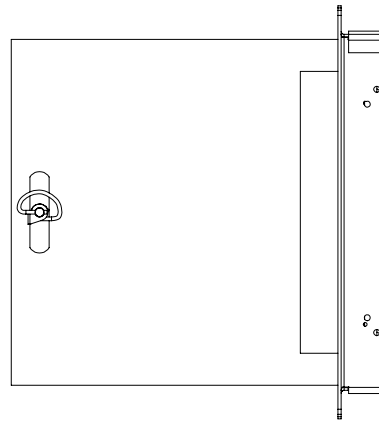
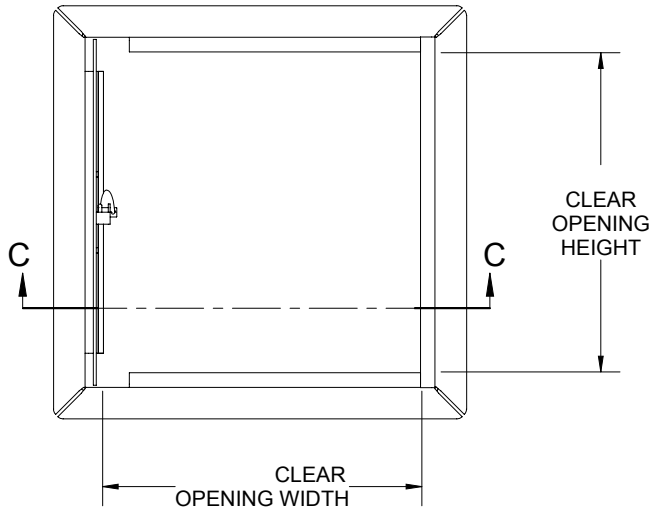
NOTES:

- ① **FRAME:**
- ② **DOOR:**
- ③ **FINISH:**
- ④ **HINGE:** CONCEALED CONTINUOUS PIANO HINGE
- ⑤ **LATCH:**
- ⑥ **LOCK:**

PROJECT:			
ARCHITECT:			
CONTRACTOR:			
QTY:			
PART#:			
		TITLE:	
		9300 73rd Avenue North Minneapolis, MN 55428	
NAME	DATE	SIZE	DWG. NO.
DRAWN		A	MT ShpDr
RELEASED		WEIGHT: VARIES	

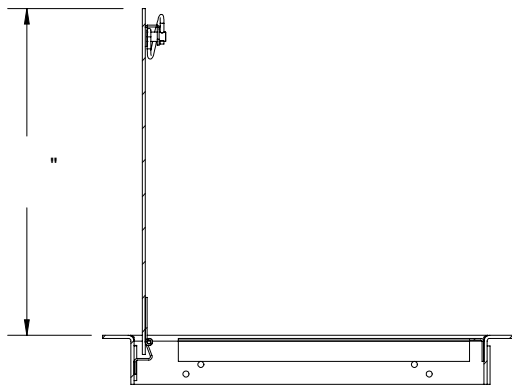
B

B



A

A



SECTION C-C

			TITLE:		
9300 73rd Avenue North Minneapolis, MN 55428					
NAME	DATE	SIZE	DWG. NO.	MT ShpDr	REV
DRAWN		A			-
RELEASED			WEIGHT: VARIES	SHEET 2 OF 2	