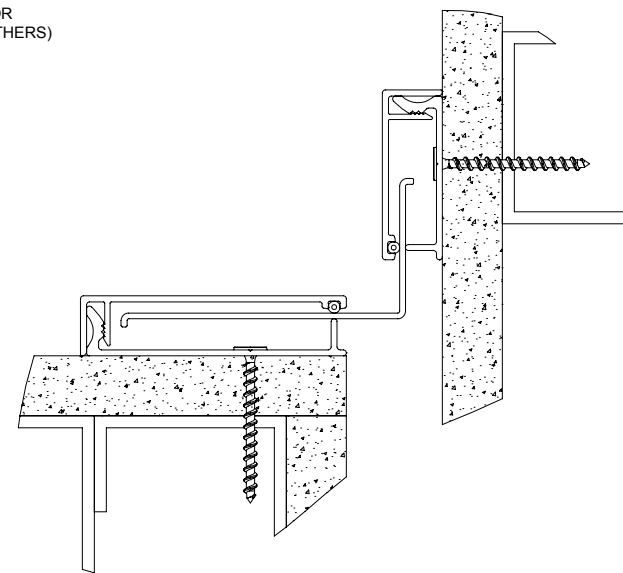
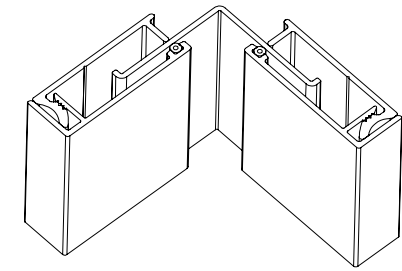
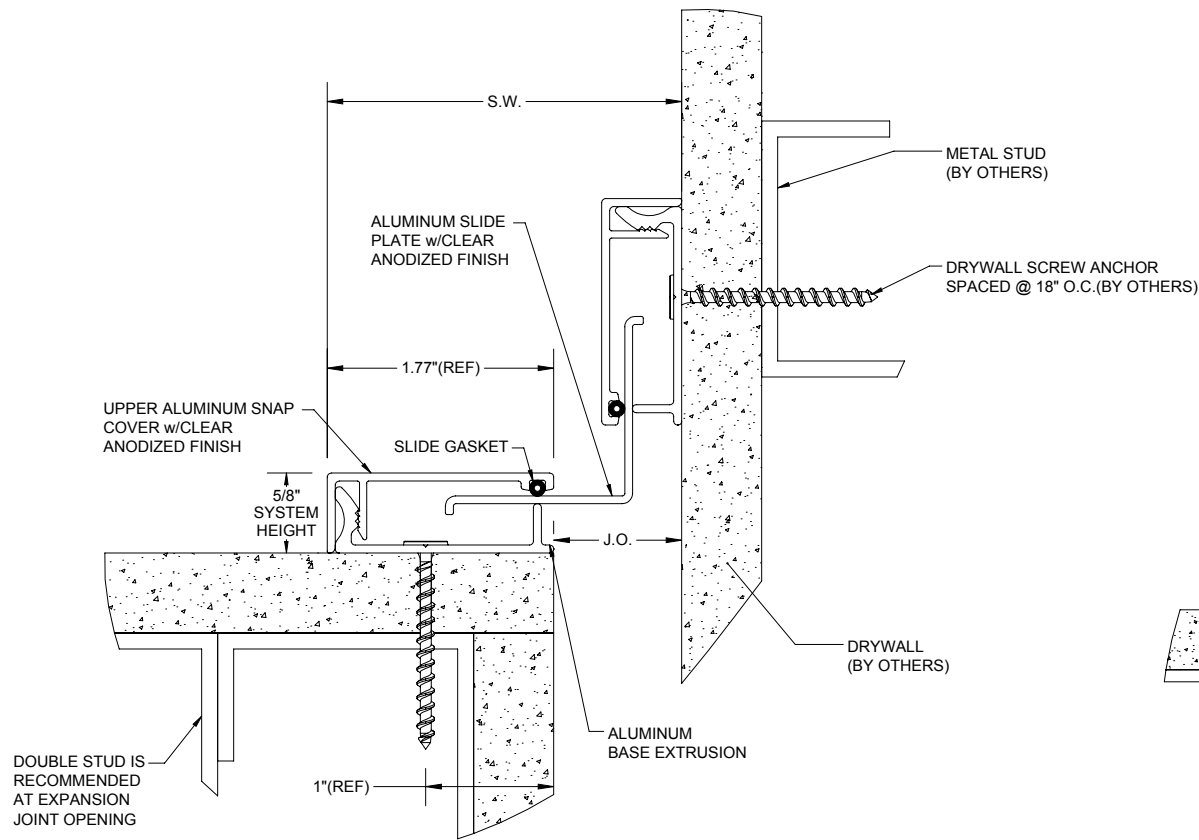


B

B




EJ-NBW-200W LAYOUT

A

A

Dimension Chart										
Model	Joint Opening (J.O.)						Total Movement		S.W.	
	At Install		Allow Min.		At Max		inches	mm	inches	mm
	inches	mm	inches	mm	inches	mm				
EJ-NBW-100W	1	25	1/2	13	1 1/2	38	1	25	3	76
EJ-NBW-200W	2	51	1	25	3	76	2	51	5	127

PROJECT:			
ARCHITECT:			
CONTRACTOR:			
QTY:			
PART#:		EJ-NBW-W	
		TITLE: EJ COVER, INTERIOR WALL TO CORNER SURFACE MOUNT, ALUMINUM	
		9300 73rd Avenue North Minneapolis, MN 55428	
NAME	DATE	SIZE	DWG. NO.
RELEASED	DS	11/20/2013	A
DRAWN		SGS	11/20/2013
RELEASED		DS	11/20/2013
EJ-NBW-W ShpDr			REV A
WEIGHT:			SHEET 1 OF 1

PROPRIETARY AND CONFIDENTIAL: THE INFORMATION CONTAINED IN THIS DRAWING IS THE SOLE PROPERTY OF NYSTROM. ANY REPRODUCTION IN PART OR AS A WHOLE WITHOUT THE WRITTEN PERMISSION OF NYSTROM IS PROHIBITED.