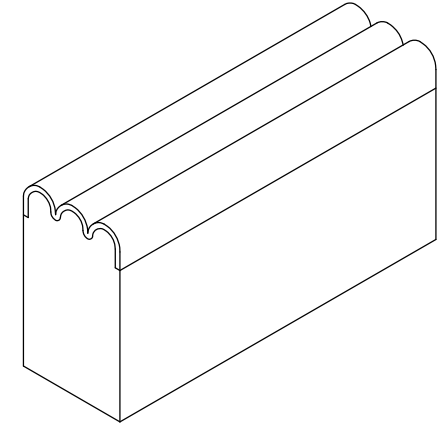
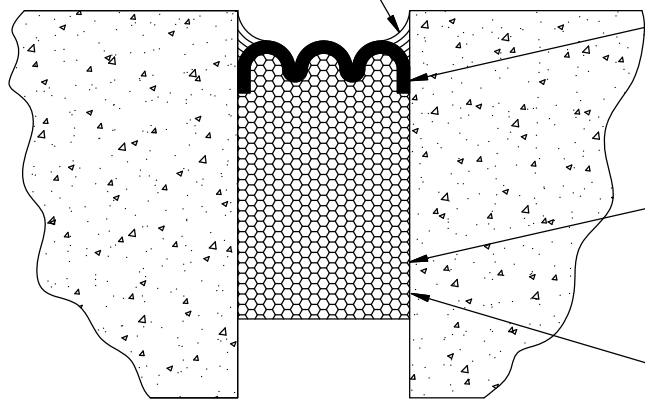


PDM SERIES		
MODEL	JOINT NOMINAL	DEPTH
EJ-PDM-050	1/2"	1 3/4"
EJ-PDM-075	3/4"	1 3/4"
EJ-PDM-100	1"	2"
EJ-PDM-125	1 1/4"	2"
EJ-PDM-150	1 1/2"	2 1/2"
EJ-PDM-175	1 3/4"	2 1/2"
EJ-PDM-200	2"	2 1/2"
EJ-PDM-225	2 1/4"	2 1/2"
EJ-PDM-250	2 1/2"	2 3/4"
EJ-PDM-275	2 3/4"	3 1/4"
EJ-PDM-300	3"	3 1/4"
EJ-PDM-325	3 1/4"	3 1/2"
EJ-PDM-350	3 1/2"	3 1/2"
EJ-PDM-375	3 3/4"	4"
EJ-PDM-400	4"	4"



FIELD APPLIED SEALANT BAND AND CORNER BEAD



WATERTIGHT FACTORY-APPLIED TRAFFIC GRATE SILICONE BELLOWS

WATER-BASED, ACRYLIC-INFUSED EXPANDING FOAM ANCHORING SYSTEM

EPOXY ADHESIVE BOTH SIDES OF GAP

DECK TO DECK

PDM SERIES COLORS
Sikasil WS-295 Deck Gray

PDM Product Notes

1. Watertight Joint System for Decks and Below-Grade Walls.
2. Joint movement capability is +50% and -50% (100% total) of nominal material size.
3. Sizes under 1 1/2" are manufactured with a single bellows. Larger sizes incorporate multiple bellows.

CUSTOMER:			
JOB REF:			
LOCATION:			
QTY:			
 9300 73rd Avenue North Minneapolis, MN 55428		TITLE:	
		EJ-PDM SERIES, EJ Seal, Int/Ext, Floor to Floor, Compression, Thermal 6.56 FT Lengths	
NAME	DATE	SIZE	DWG. NO.
DRAWN	DKL	7/16/19	A
RELEASED	GLN	7/16/19	WEIGHT:
			SHEET 1 OF 1

PROPRIETARY AND CONFIDENTIAL: THE INFORMATION CONTAINED IN THIS DRAWING IS THE SOLE PROPERTY OF NYSTROM. ANY REPRODUCTION IN PART OR AS A WHOLE WITHOUT THE WRITTEN PERMISSION OF NYSTROM IS PROHIBITED.