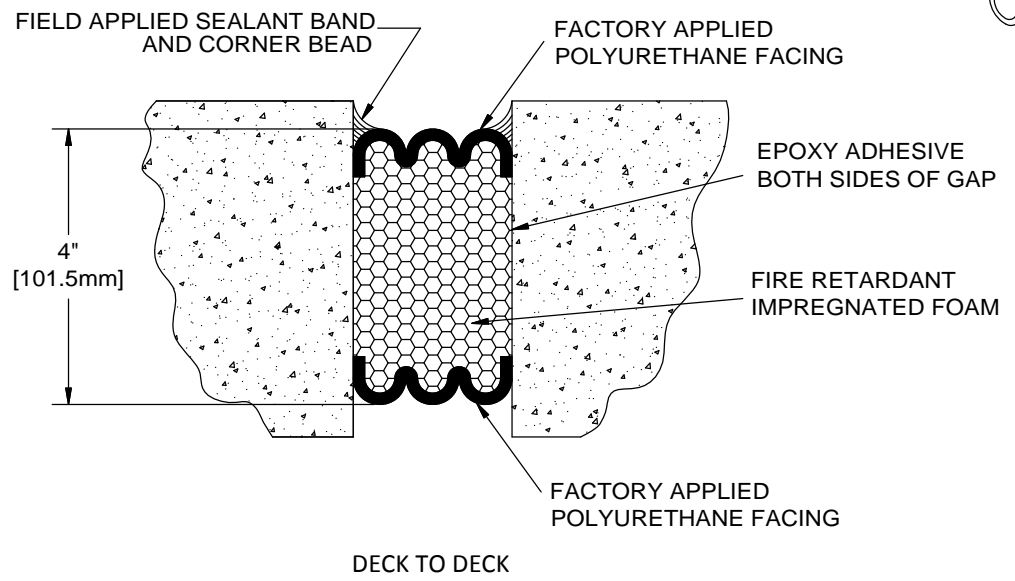
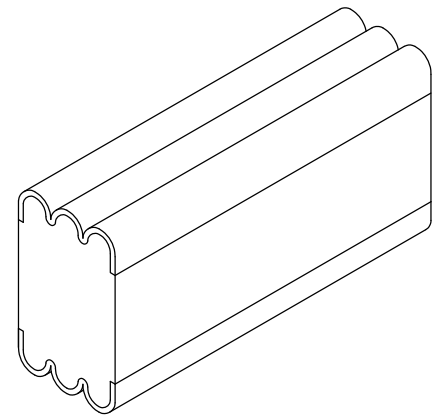


PHES2 Series		
Model	Joint Nominal	Depth
EJ-PHES2-050	1/2"	4"
EJ-PHES2-075	3/4"	4"
EJ-PHES2-100	1"	4"
EJ-PHES2-125	1 1/4"	4"
EJ-PHES2-150	1 1/2"	4"
EJ-PHES2-175	1 3/4"	4"
EJ-PHES2-200	2"	4"
EJ-PHES2-225	2 1/4"	4"
EJ-PHES2-250	2 1/2"	4"
EJ-PHES2-275	2 3/4"	4"
EJ-PHES2-300	3"	4"
EJ-PHES2-325	3 1/4"	4"
EJ-PHES2-350	3 1/2"	4"
EJ-PHES2-375	3 3/4"	4"
EJ-PHES2-400	4"	4"



PHES2 Series Colors	
Pecora 890NST	
Tru White	Limestone

**PHES2 Product Notes**

1. Single-Unit, Fire and Water Resistant, Expansion Joint System Designed to Resist Vandalism
2. 2-Hour, Built-In Fire-Rating (UL 2079)
3. Joint movement capability is + 50% and - 50% (100% total) of nominal material size
4. Sizes under 1-1/2" are manufactured with a single bellows. Larger sizes incorporate multiple bellows

CUSTOMER:			
JOB REF:			
LOCATION:			
QTY:			
		TITLE:	
9300 73rd Avenue North Minneapolis, MN 55428		EJ-PHES2 SERIES, EJ Seal, Int/Ext, Floor to Floor, Compression, Seismic, 6.56 FT Lengths, 2 Hour Fire Rated	
NAME	DATE	SIZE	DWG. NO.
DKL	1/19/15	A	EJ-PHES2 SERIES
RELEASED	GN	1/19/15	WEIGHT:
			SHEET 1 OF 1

PROPRIETARY AND CONFIDENTIAL: THE INFORMATION CONTAINED IN THIS DRAWING IS THE SOLE PROPERTY OF NYSTROM. ANY REPRODUCTION IN PART OR AS A WHOLE WITHOUT THE WRITTEN PERMISSION OF NYSTROM IS PROHIBITED.