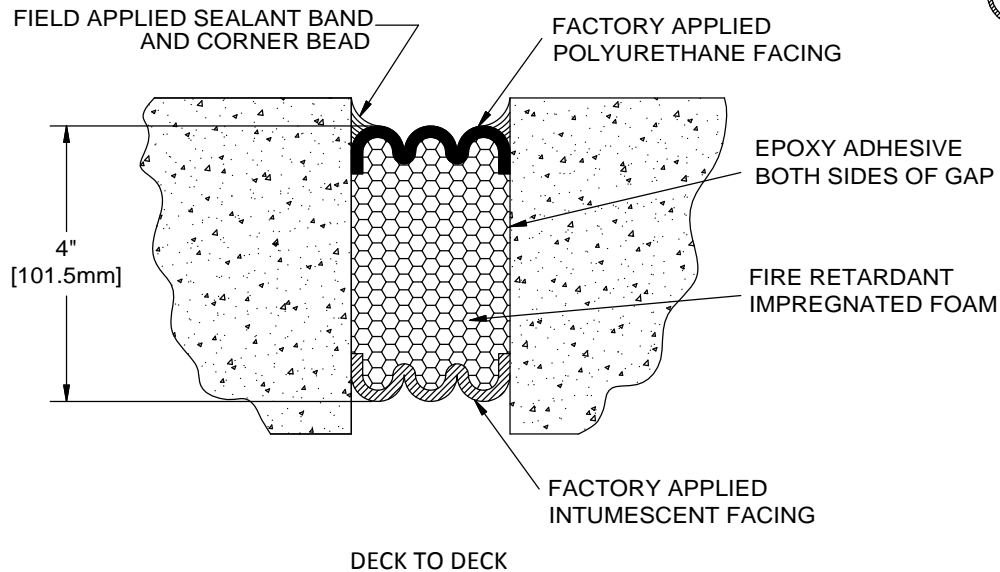
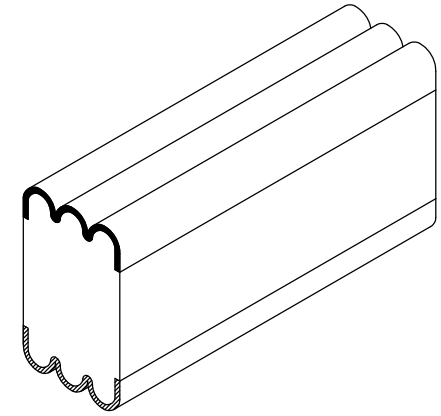


PHES3 Series		
Model	Joint Nominal	Depth
EJ-PHES3-050	1/2"	4"
EJ-PHES3-075	3/4"	4"
EJ-PHES3-100	1"	4"
EJ-PHES3-125	1 1/4"	4"
EJ-PHES3-150	1 1/2"	4"
EJ-PHES3-175	1 3/4"	4"
EJ-PHES3-200	2"	4"
EJ-PHES3-225	2 1/4"	4"
EJ-PHES3-250	2 1/2"	4"
EJ-PHES3-275	2 3/4"	4"
EJ-PHES3-300	3"	4"
EJ-PHES3-325	3 1/4"	4"
EJ-PHES3-350	3 1/2"	4"
EJ-PHES3-375	3 3/4"	4"
EJ-PHES3-400	4"	4"



PHES3 Series Colors	
Pecora 890NST	
Tru White	Limestone

PHES3 Product Notes

1. Single-Unit, Fire and Water Resistant, Expansion Joint System Designed to Resist Vandalism
2. 3-Hour, Built-In Fire-Rating (UL 2079)
3. Joint movement capability is + 25% and - 25% (50% total) of nominal material size
4. Sizes under 1-1/2" are manufactured with a single bellows. Larger sizes incorporate multiple bellows

CUSTOMER:			
JOB REF:			
LOCATION:			
QTY:			
 9300 73rd Avenue North Minneapolis, MN 55428		TITLE:	
		EJ-PHES3 SERIES, EJ Seal, Int/Ext, Floor to Floor, Compression, Thermal, 6.56 FT Lengths, 3 Hour Fire Rated	
NAME	DATE	SIZE	DWG. NO.
DRAWN	DKL	1/19/15	A
RELEASED	GN	1/19/15	WEIGHT:
			SHEET 1 OF 1