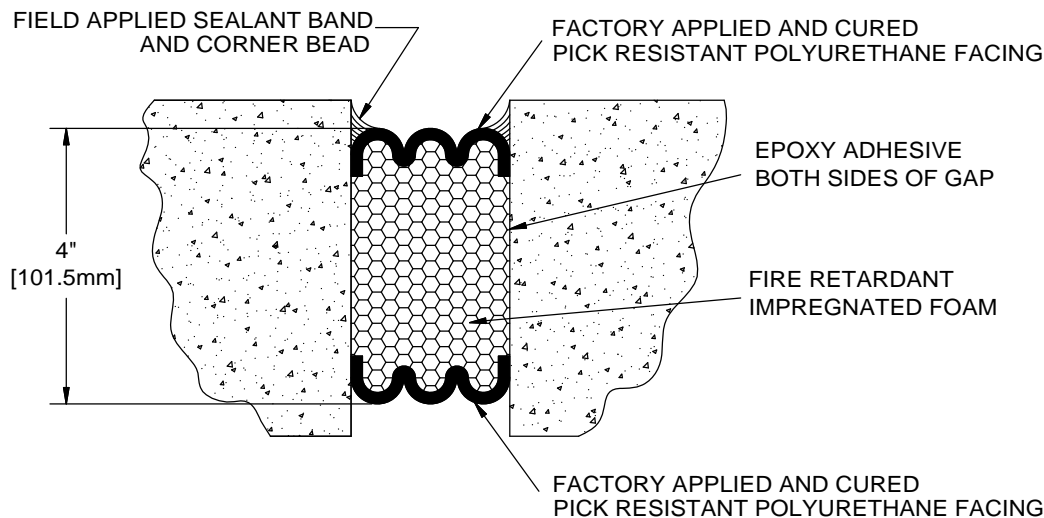
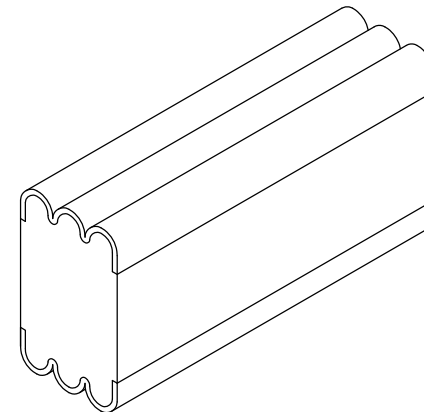


PSES2 Series		
Model	Joint Nominal	Depth
EJ-PSES2-050	1/2"	4"
EJ-PSES2-075	3/4"	4"
EJ-PSES2-100	1"	4"
EJ-PSES2-125	1 1/4"	4"
EJ-PSES2-150	1 1/2"	4"
EJ-PSES2-175	1 3/4"	4"
EJ-PSES2-200	2"	4"
EJ-PSES2-225	2 1/4"	4"
EJ-PSES2-250	2 1/2"	4"
EJ-PSES2-275	2 3/4"	4"
EJ-PSES2-300	3"	4"
EJ-PSES2-325	3 1/4"	4"
EJ-PSES2-350	3 1/2"	4"
EJ-PSES2-375	3 3/4"	4"
EJ-PSES2-400	4"	4"
EJ-PSES2-425	4 1/4"	4"
EJ-PSES2-450	4 1/2"	4"
EJ-PSES2-475	4 3/4"	4"
EJ-PSES2-500	5"	4"
EJ-PSES2-525	5 1/4"	4"
EJ-PSES2-550	5 1/2"	4"
EJ-PSES2-575	5 3/4"	4"
EJ-PSES2-600	6"	4"



WALL TO WALL



PSES2 Series Colors	
Pecora 890NST	
Tru White	Limestone

PSES2 Product Notes

1. Single-Unit, Fire-Rated Expansion Joint System Designed to Resist Vandalism
2. 2-Hour, Built-In Fire-Rating (UL 2079)
3. Joint movement capability is + 50% and - 50% (100% total) of nominal material size
4. Sizes under 1 1/2" are manufactured with a single bellows. Larger sizes incorporate multiple bellows.

CUSTOMER:			
JOB REF:			
LOCATION:			
QTY:			
		TITLE:	
9300 73rd Avenue North Minneapolis, MN 55428		EJ-PSES2 SERIES, EJ Seal, Int/Ext, Wall to Wall, Compression, Seismic 6.56 FT Lengths, 2 Hour Fire Rated	
NAME	DATE	SIZE	DWG. NO.
DKL	1/21/15	A	EJ-PSES2 SERIES
RELEASED	GN	1/21/15	WEIGHT:
			SHEET 1 OF 1