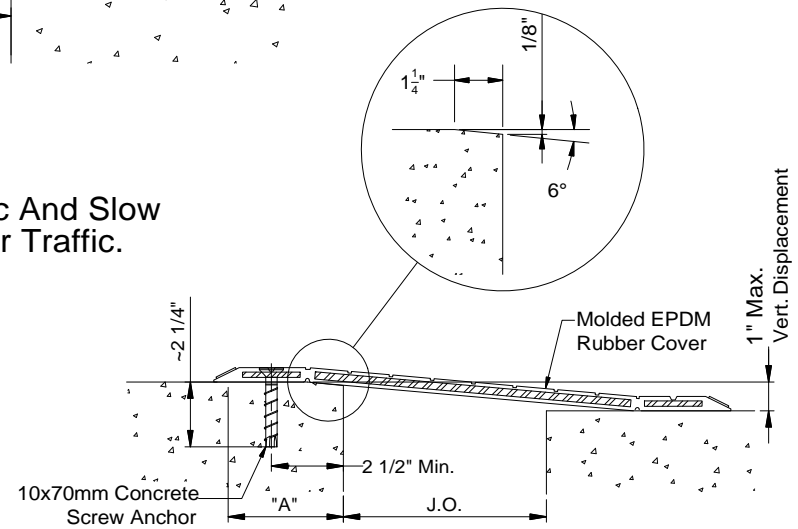



MODEL "RCP"

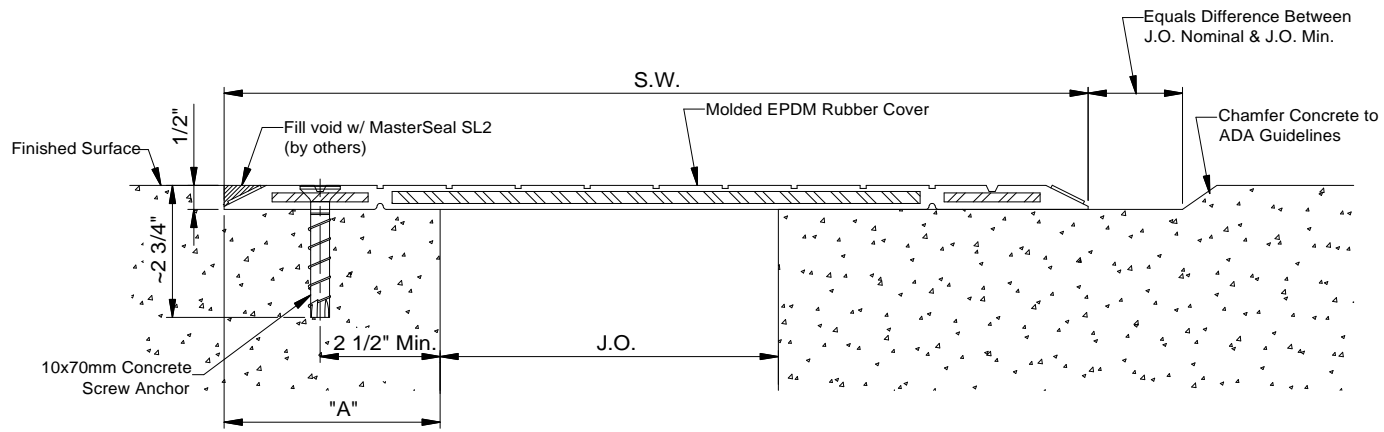
Designed For Pedestrian Foot Traffic And Slow Speed Non-Commercial Vehicular Traffic.



"RCP" Subjected to Vertical Displacement

Dimension Chart			
Model	System Width (S.W.)	Vehicular Joint Opening (J.O.) Max	Setback "A"
EJ-RCP-600	12"(305)	5-1/4" (133)	4" (102)
EJ-RCP-1000	18"(457)	9-3/4" (248)	4-1/2" (114)

PROJECT:					
ARCHITECT:					
CONTRACTOR:					
QTY:					
PART#:					
 Right to site. 9300 73rd Avenue North Brooklyn Park, MN 55428		TITLE: EJ Cover, Int/Ext, Floor to Floor, Surface Mount, Steel w/Rubber Hinged Cover			
		NAME	DATE	SIZE	DWG. NO.
DRAWN	DKL	1/16/14	A	EJ-RCP-600-1000	A
RELEASED	PE	1/16/14	WEIGHT:	SHEET 1 OF 2	




RECESS MOUNT MODEL "RCP"

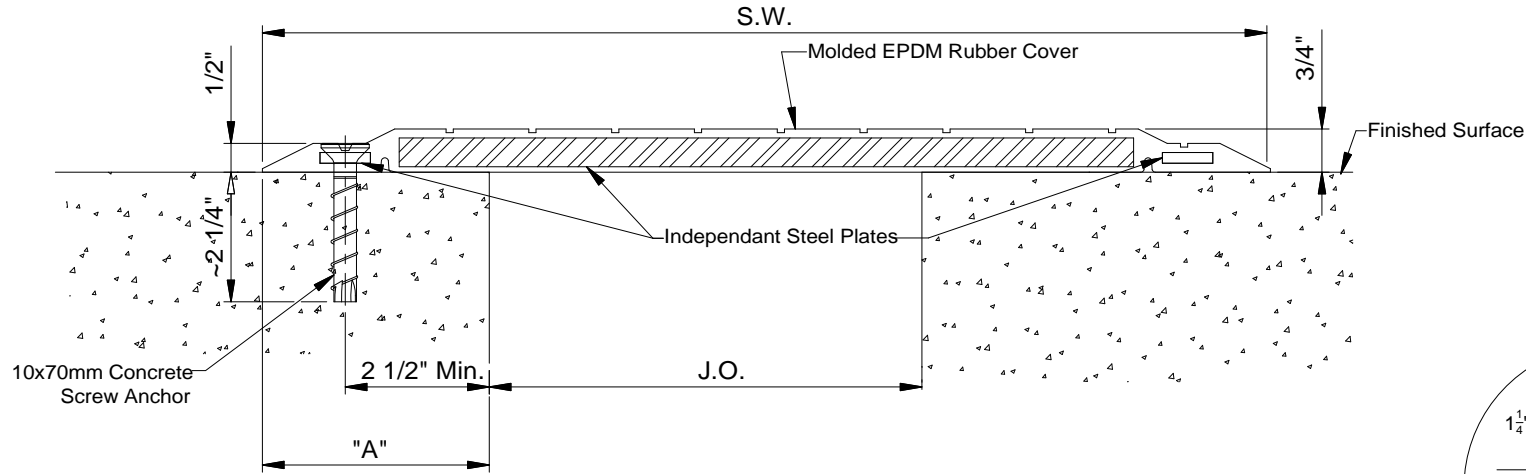
Designed For Pedestrian Foot Traffic And Slow
Speed Non-Commercial Vehicular Traffic.

Dimension Chart

Model	System Width (S.W.)	Vehicular Joint Opening (J.O.) Max	Setback "A"
EJ-RCP-600	12"(305)	5-1/4" (133)	4" (102)
EJ-RCP-1000	18"(457)	9-3/4" (248)	4-1/2" (114)

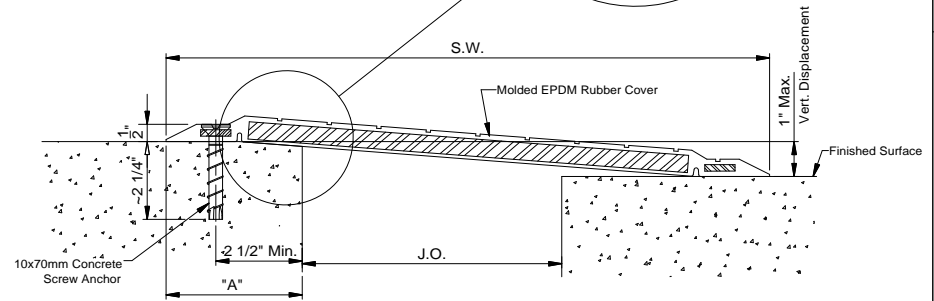
PROJECT:			
ARCHITECT:			
CONTRACTOR:			
QTY:			
PART#:			
 Right to site. 9300 73rd Avenue North Brooklyn Park, MN 55428		TITLE: EJ Cover, Int/Ext, Floor to Floor, Surface Mount, Steel w/Rubber Hinged Cover	
NAME	DATE	SIZE	DWG. NO.
DRAWN: DKL	1/16/14	A	EJ-RCP-600-1000
RELEASED: PE	1/16/14	WEIGHT:	

PROPRIETARY AND CONFIDENTIAL: THE INFORMATION CONTAINED IN THIS DRAWING IS THE SOLE PROPERTY OF NYSTROM. ANY REPRODUCTION IN PART OR AS A WHOLE WITHOUT THE WRITTEN PERMISSION OF NYSTROM IS PROHIBITED.



MODEL "RCP"

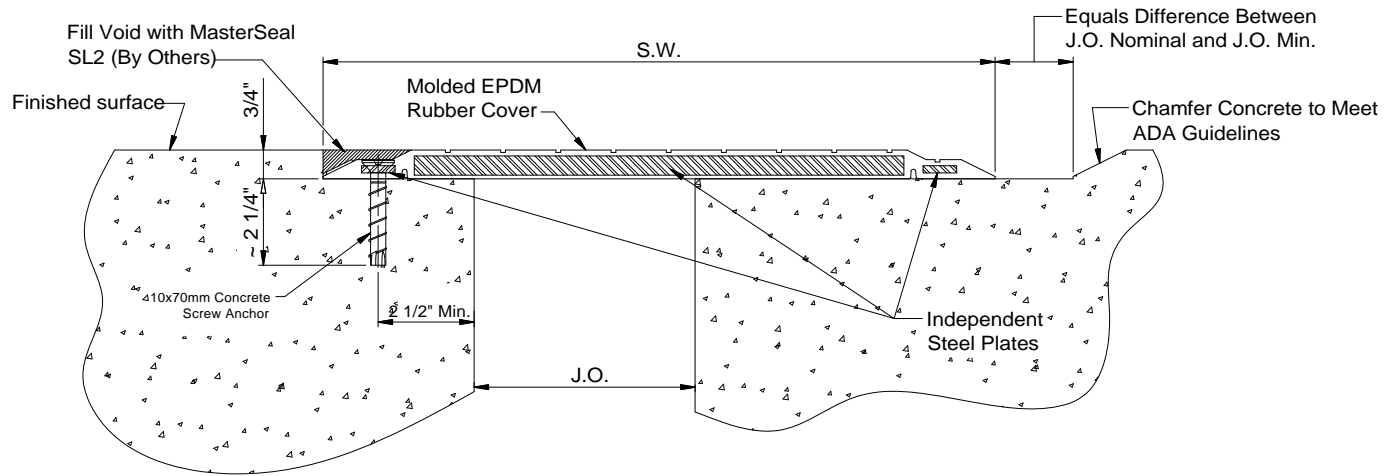
Designed For Pedestrian Foot Traffic And Slow Speed Non-Commercial Vehicular Traffic.



"RCP" Subjected to Vertical Displacement

Dimension Chart			
Model	System Width (S.W.)	Vehicular Joint Opening (J.O.) Max	Setback "A"
EJ-RCP-1200	17-1/2" (445)	11" (279)	4" (102)
EJ-RCP-1800	23-1/2" (597)	17" (432)	4" (102)

PROJECT:			
ARCHITECT:			
CONTRACTOR:			
QTY:			
PART#:			
 Right to site. 9300 73rd Avenue North Brooklyn Park, MN 55428		TITLE:	
		EJ Cover, Int/Ext, Floor to Floor, Surface Mount, Steel w/Rubber Hinged Cover	
NAME	DATE	SIZE	DWG. NO.
DRAWN: DKL	1/16/14	A	EJ-RCP-1200-1800
RELEASED: PE	1/16/14	WEIGHT:	REV: A




RECESS MOUNT MODEL "RCP"

Designed For Pedestrian Foot Traffic And Slow
Speed Non-Commercial Vehicular Traffic.

Dimension Chart

Model	System Width (S.W.)	Vehicular Joint Opening (J.O.) Max	Setback "A"
EJ-RCP-1200	17-1/2" (445)	11" (279)	4" (102)
EJ-RCP-1800	23-1/2" (597)	17" (432)	4" (102)

PROJECT:			
ARCHITECT:			
CONTRACTOR:			
QTY:			
PART#:			
 Right to site. 9300 73rd Avenue North Brooklyn Park, MN 55428		TITLE: EJ Cover, Int/Ext, Floor to Floor, Surface Mount, Steel w/Rubber Hinged Cover	
NAME	DATE	SIZE	DWG. NO.
DRAWN: DKL	1/16/14	A	EJ-RCP-1200-1800
RELEASED: PE	1/16/14	WEIGHT:	REV: A

PROPRIETARY AND CONFIDENTIAL: THE INFORMATION CONTAINED IN THIS DRAWING IS THE SOLE PROPERTY OF NYSTROM. ANY REPRODUCTION IN PART OR AS A WHOLE WITHOUT THE WRITTEN PERMISSION OF NYSTROM IS PROHIBITED.