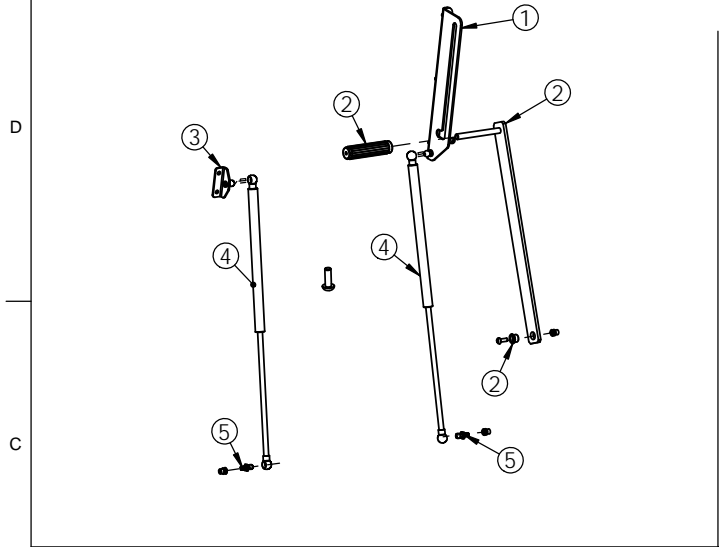


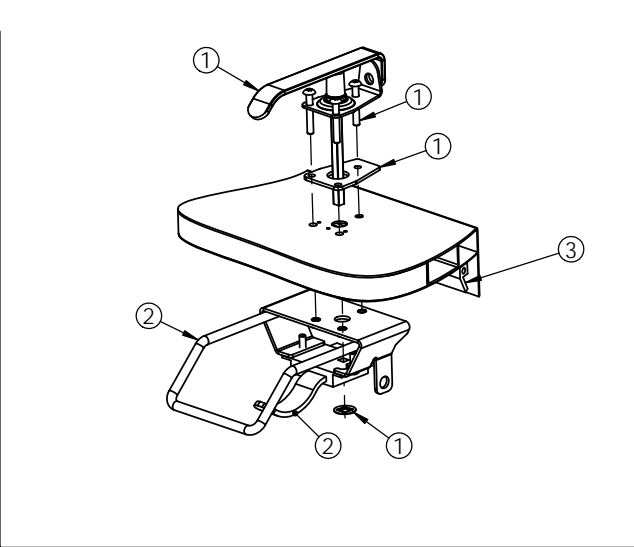
8 7 6 5 4 3 2 1

ROOF HATCH KITS	
DETAIL	DESCRIPTION
①	HOA/SPRING
②	COVER LATCH
③	LATCH CATCH
④	HINGE
⑤	GASKET



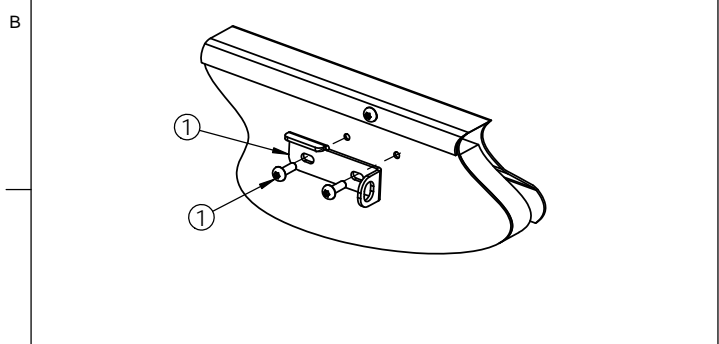
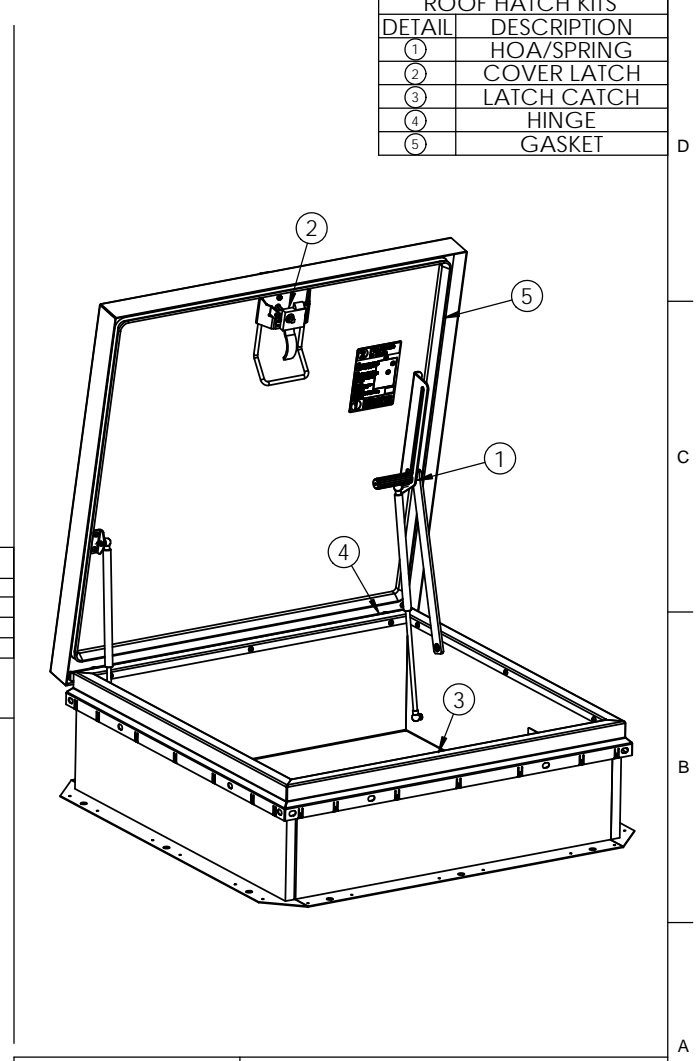
REPLACEMENT HOA/SPRING

ITEM	REPLACEMENT KIT #	OEM PART #	DESCRIPTION
①	RHP11-KIT-HOACVR	29939	PKG, HOA COVER BRACKET
②	RHP11-KIT-HOACURB	29938	PKG, HOA AND CURB HARDWARE
③	RHP11-KIT-SPRINGBRKT	29944	PKG, SPRING COVER BRACKET
④	RHP11-KIT-SPRING-250	29880	PKG, 250N SPRING
④	RHP11-KIT-SPRING-500	29881	PKG, 500N SPRING
⑤	RHP11-KIT-SPRINGSTUD	29943	PKG, BALL STUD FOR SPRING



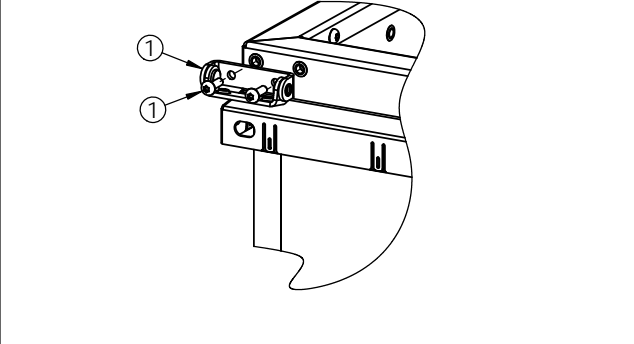
REPLACEMENT COVER LATCH/GASKET

ITEM	REPLACEMENT KIT #	OEM PART #	DESCRIPTION
①	RHP11-KIT-EXTHDL	29937	PKG, EXTERIOR TURN HANDLE
②	RHP11-KIT-INTHDL	29914	PKG, INTERIOR TURN HANDLE
③	RH-KIT-GASKET	6650	10FT, GASKET



REPLACEMENT LATCH CATCH

ITEM	REPLACEMENT KIT #	OEM PART #	DESCRIPTION
①	RHP11-KIT-CATCH	29935	PKG, LATCH CATCH



REPLACEMENT HINGE

ITEM	REPLACEMENT KIT #	OEM PART #	DESCRIPTION
①	RHP11-KIT-HINGE	29941	PKG, HINGE

			TITLE: ROOF HATCH PERSONNEL II. REPLACEMENT COMPONENTS		
9300 73rd Avenue North Minneapolis, MN 55428			SIZE	DWG. NO.	REV
DRAWN	SGS	TODAY	B	RETRO-FIT KITS	-
RELEASED	IMT	8/21/2015			

PROPRIETARY AND CONFIDENTIAL: THE INFORMATION CONTAINED IN THIS DRAWING IS THE SOLE PROPERTY OF NYSTROM. ANY REPRODUCTION IN PART OR AS A WHOLE WITHOUT THE WRITTEN PERMISSION OF NYSTROM IS PROHIBITED.

8 7 6 5 4 3 2 1