


SPECIFICATIONS:

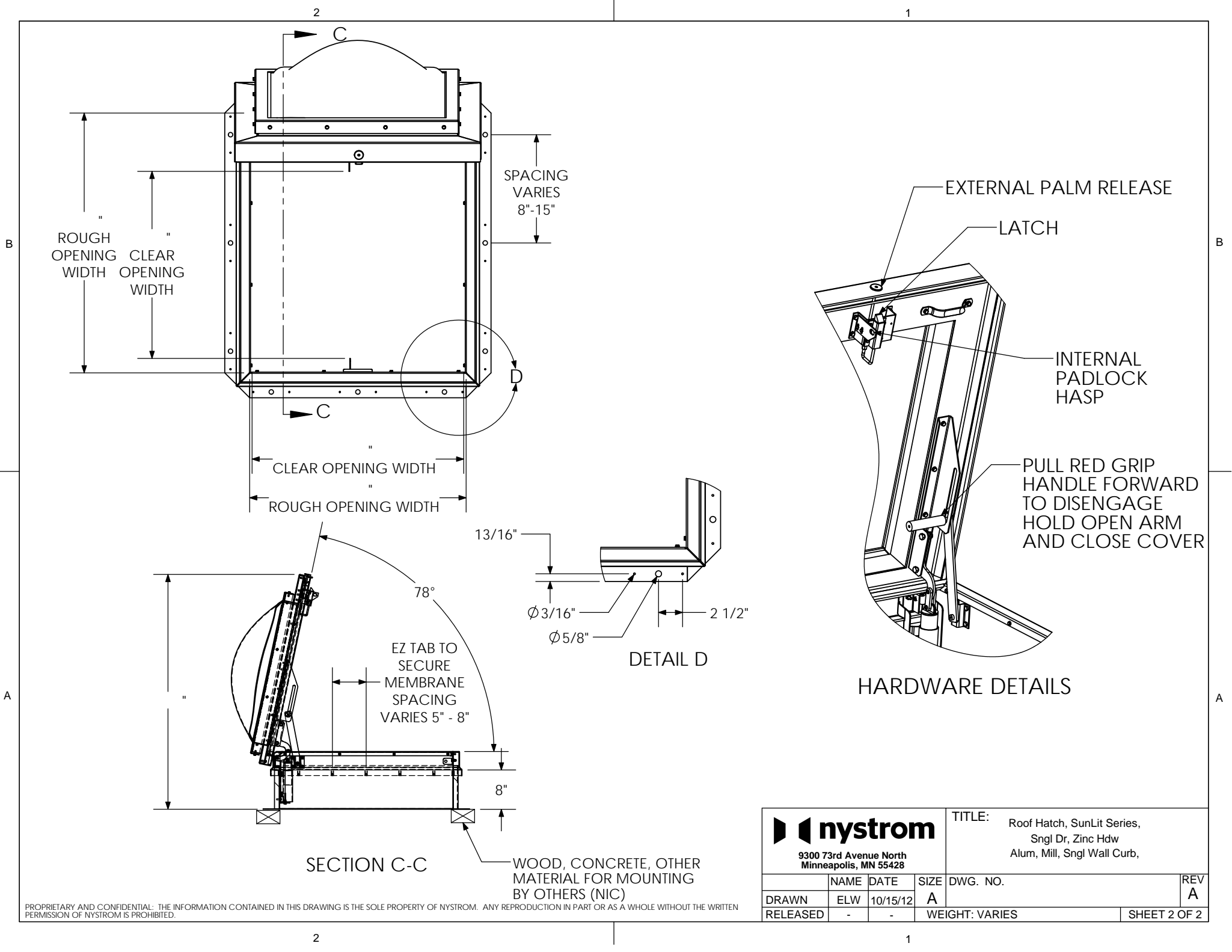
- ① **COVER:** 11 GA ALUM COVER STIFFENED TO WITHSTAND A LIVE LOAD OF 40PSF WITH A MAX DEFLECTION OF 1/150 OF THE SPAN
- ② **LINER:** 18 GA ALUM
- ③ **CURB AND COUNTERFLASH W/ EZ TAB:**
11 GA ALUM
- 4 **FINISH:** MILL FINISH
- ⑤ **SPRING/HINGE ASSEMBLY:** ZINC PLATED STEEL TAMPER-PROOF HINGE CONTAINED WITHIN SPRING/HINGE ASSEMBLY. TELESCOPIC TUBES CONTAIN COIL STEEL COMPRESSION SPRINGS FOR LIFT ASSISTANCE
- ⑥ **HOLD OPEN ARM:** LOCKS COVER IN FULLY OPEN POSITION - ZINC PLATED STEEL WITH RED VINYL GRIP HANDLE PULL RELEASE
- ⑦ **LATCH:** SINGLE POINT LATCH SLAM LATCH HOLDS COVER CLOSED AGAINST 20 PSF WIND UPLIFT. EXTERNAL D5 @ F 9 @ 95 G9 B H F B 5 @ F 9 @ 95 G9 HANDLE WITH PADLOCK HASP

- ⑧ **INSULATION:**
1" FIBERGLASS IN COVER, AND 1" POLYISO (R6) IN CURB
- ⑨ **GASKET:** ADHESIVE BACKED EPDM RUBBER EXTRUSION
- 10 **SIZING:** WIDTH X LENGTH DIMENSIONS ARE MEASURED INSIDE CURB TO INSIDE CURB WHERE THE WIDTH IS HINGE TO LATCH AND LENGTH IS HINGED SIDE WITH SPRINGS

| | | |
|------------------------|-------------|------------|
| ROOF HATCH SIZE | " (WIDTH) x | " (LENGTH) |
| CLEAR OPENING | " (WIDTH) x | " (LENGTH) |
| ROUGH OPENING | " (WIDTH) x | " (LENGTH) |

PROPRIETARY AND CONFIDENTIAL: THE INFORMATION CONTAINED IN THIS DRAWING IS THE SOLE PROPERTY OF NYSTROM. ANY REPRODUCTION IN PART OR AS A WHOLE WITHOUT THE WRITTEN PERMISSION OF NYSTROM IS PROHIBITED.

| | | | | | |
|--|-----|--|----------------|------|--------------|
| PROJECT: | | | | | |
| ARCHITECT: | | | | | |
| CONTRACTOR: | | | | | |
| QTY: | | | | | |
| PART#: | | | | | |
|  9300 73rd Avenue North Minneapolis, MN 55428 | | TITLE: Roof Hatch, SunLit Series, Sngl Dr, Zinc Hdw, Alum, Mill, Sngl Wall Curb, | | | |
| | | NAME | DATE | SIZE | DWG. NO. |
| DRAWN | ELW | 10/15/12 | A | | A |
| RELEASED | - | - | WEIGHT: VARIES | | SHEET 1 OF 2 |



PROPRIETARY AND CONFIDENTIAL: THE INFORMATION CONTAINED IN THIS DRAWING IS THE SOLE PROPERTY OF NYSTROM. ANY REPRODUCTION IN PART OR AS A WHOLE WITHOUT THE WRITTEN PERMISSION OF NYSTROM IS PROHIBITED.

| | | | | | |
|---|------|----------|---|----------|--------------|
| | | | TITLE: Roof Hatch, SunLit Series, Sngl Dr, Zinc Hdw Alum, Mill, Sngl Wall Curb, | | |
| 9300 73rd Avenue North Minneapolis, MN 55428 | | | | | |
| | NAME | DATE | SIZE | DWG. NO. | REV |
| DRAWN | ELW | 10/15/12 | A | | A |
| RELEASED | - | - | WEIGHT: VARIES | | SHEET 2 OF 2 |