


**SPECIFICATIONS:**

- ① **COVER:** 11 GA ALUM COVER STIFFENED TO WITHSTAND A LIVE LOAD OF 40PSF WITH A MAX DEFLECTION OF 1/150 OF THE SPAN
- ② **LINER:** 18 GA ALUM
- ③ **CURB AND COUNTERFLASH W/ EZ TAB:**  
14 GA GALV STEEL
- ④ **FINISH:** GRAY POWDER COAT

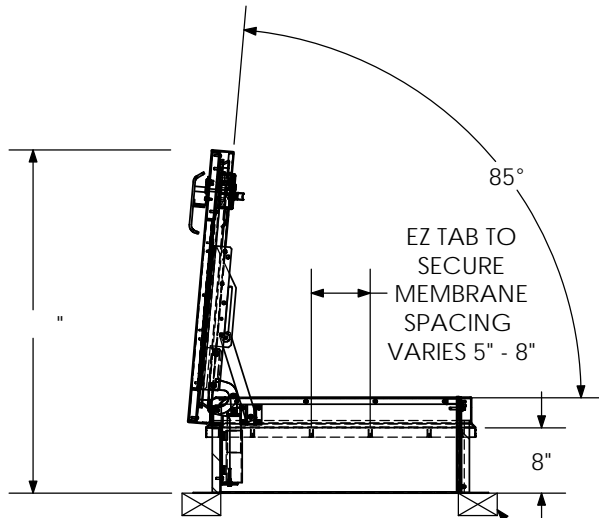
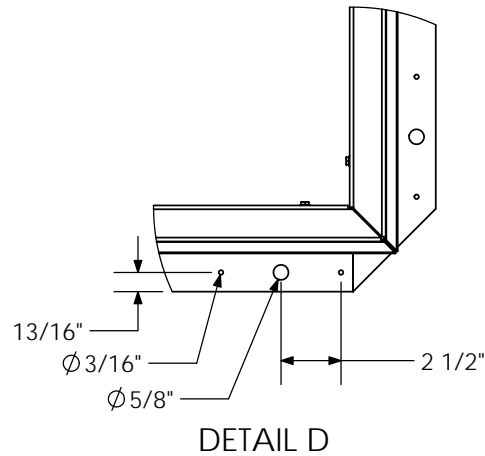
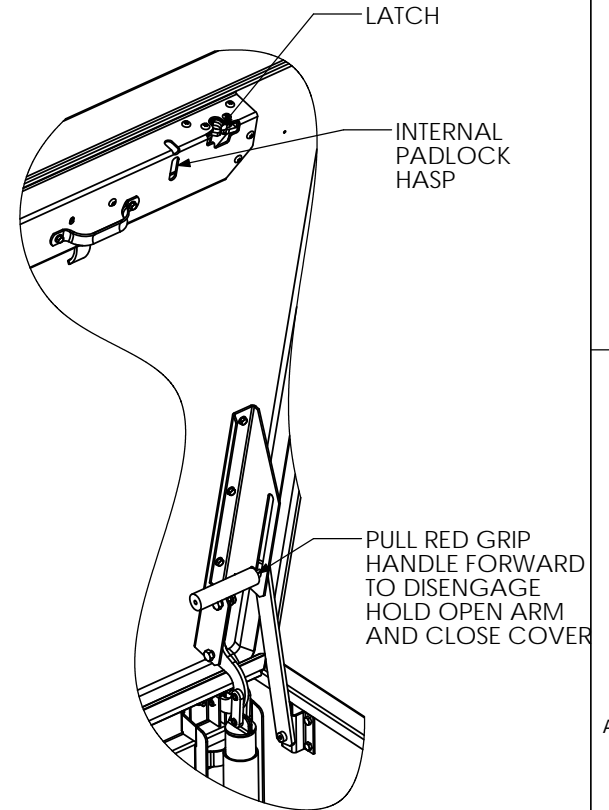
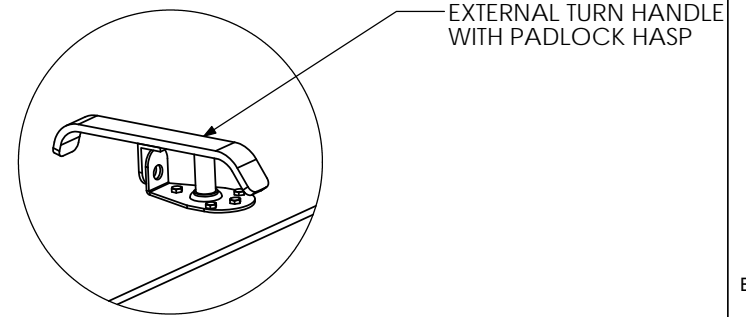
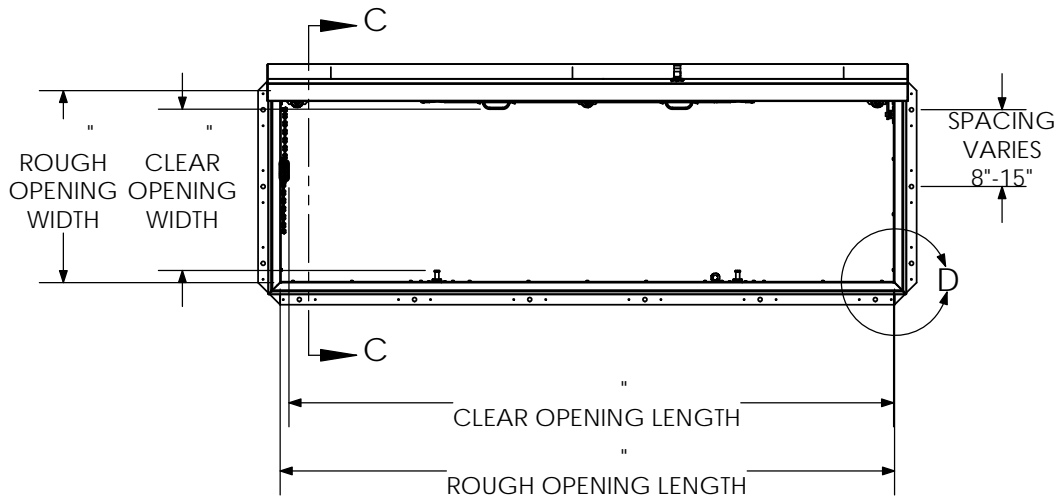
- ⑧ **INSULATION:**  
1" POLYSTYRENE (R4) IN COVER, AND 1" POLYISO (R6) IN CURB
- ⑨ **GASKET:** ADHESIVE BACKED EPDM RUBBER EXTRUSION
- ⑩ **SIZING:** WIDTH X LENGTH DIMENSIONS ARE MEASURED INSIDE CURB TO INSIDE CURB WHERE THE WIDTH IS HINGE TO LATCH AND LENGTH IS HINGED SIDE WITH SPRINGS

- ⑤ **SPRING/HINGE ASSEMBLY:** ZINC PLATED STEEL TAMPER-PROOF HINGE CONTAINED WITHIN SPRING/HINGE ASSEMBLY. TELESCOPIC TUBES CONTAIN COIL STEEL COMPRESSION SPRINGS FOR LIFT ASSISTANCE
- ⑥ **HOLD OPEN ARM:** LOCKS COVER IN FULLY OPEN POSITION - ZINC PLATED STEEL WITH RED VINYL GRIP HANDLE PULL RELEASE
- ⑦ **LATCH:** 2 POINT ROTARY LATCH SLAM LATCH HOLDS COVER CLOSED AGAINST 90 PSF WIND UPLIFT. INTERNAL AND EXTERNAL TURN HANDLES WITH PADLOCK HASPS

<b>ROOF HATCH SIZE</b>	" (WIDTH) x	" (LENGTH)
<b>CLEAR OPENING</b>	" (WIDTH) x	" (LENGTH)
<b>ROUGH OPENING</b>	" (WIDTH) x	" (LENGTH)

PROJECT:					
ARCHITECT:					
CONTRACTOR:					
QTY:					
PART#:					
 9300 73rd Avenue North Minneapolis, MN 55428		TITLE: Roof Hatch, Personnel Series, Sngl Dr, Zinc Hdw, Galvanized Steel Curb, Gray Pwd and Aluminum Cover, Mill Finish, Sngl Wall Curb			
		NAME	DATE	SIZE	DWG. NO.
DRAWN	ELW	9/14/12	A		A
RELEASED	-	-	WEIGHT: VARIES		SHEET 1 OF 2

PROPRIETARY AND CONFIDENTIAL: THE INFORMATION CONTAINED IN THIS DRAWING IS THE SOLE PROPERTY OF NYSTROM. ANY REPRODUCTION IN PART OR AS A WHOLE WITHOUT THE WRITTEN PERMISSION OF NYSTROM IS PROHIBITED.



SECTION C-C

WOOD, CONCRETE, OTHER MATERIAL FOR MOUNTING BY OTHERS (NIC)

HARDWARE DETAILS

			TITLE: Roof Hatch, Personnel Series, Sngl Dr, Zinc Hdw, Galvanized Steel Curb, Gray Pwd and Aluminum Cover, Mill Finish, Sngl Wall Curb		
9300 73rd Avenue North Minneapolis, MN 55428			SIZE	DWG. NO.	REV
DRAWN	NAME	DATE	A		A
ELW	ELW	9/14/12			
RELEASED	-	-	WEIGHT: VARIES		SHEET 2 OF 2