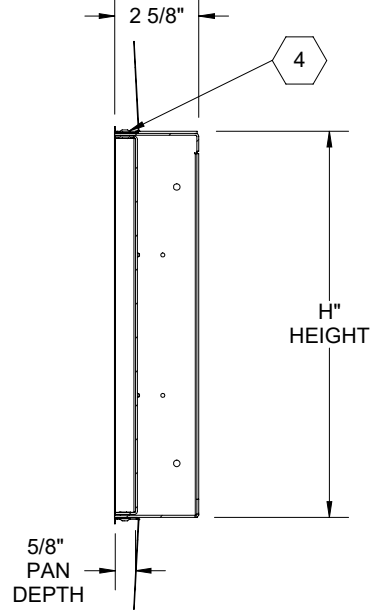
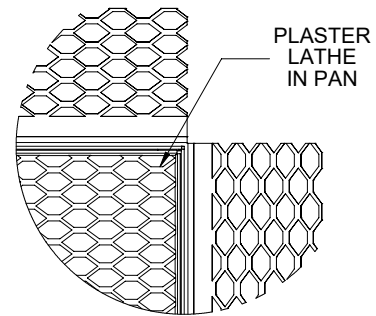
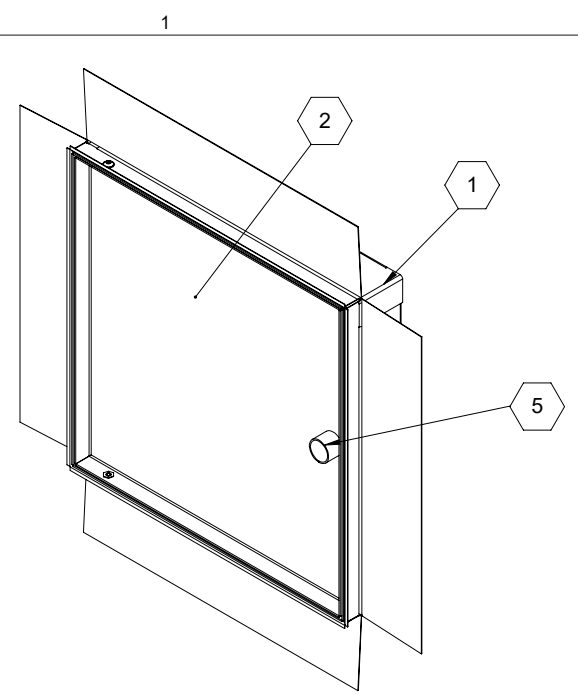


SECTION B-B



SECTION A-A



DETAIL D  
PLASTER BEAD DETAIL  
SCALE 1 : 4

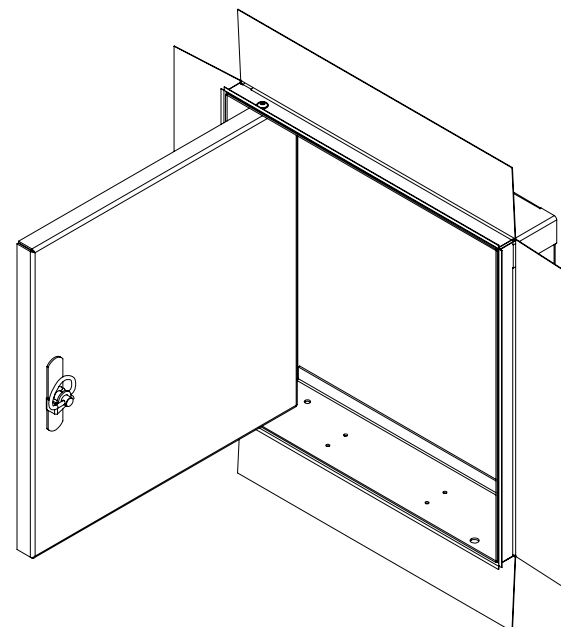
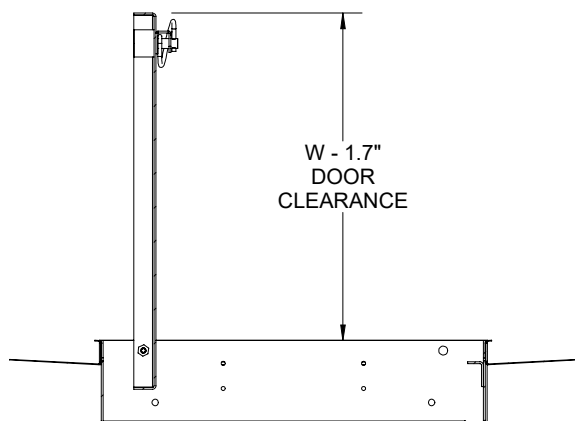
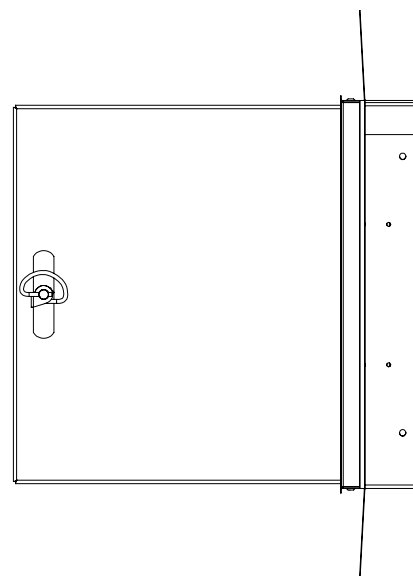
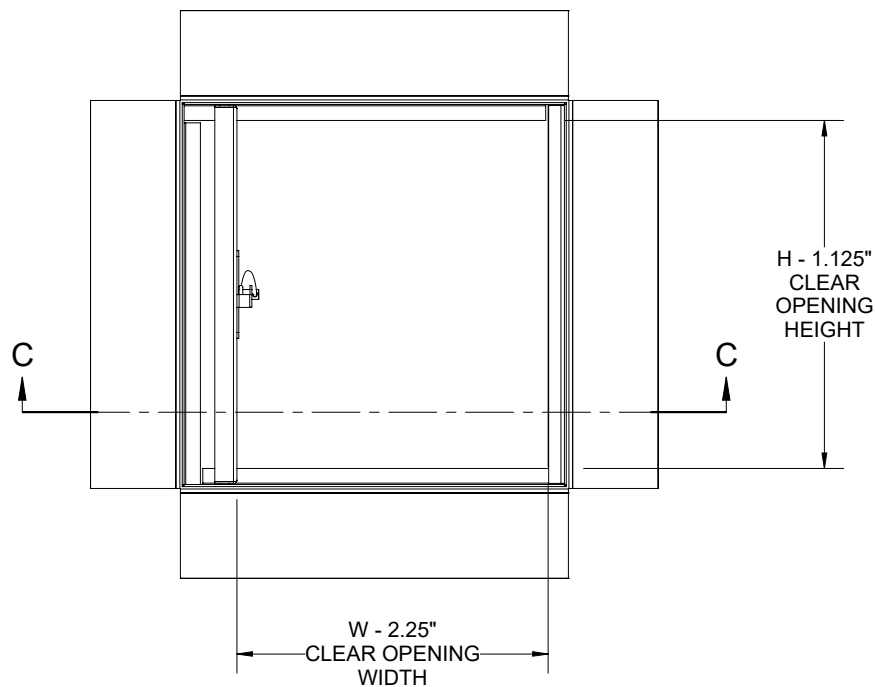
**ROUGH OPENING:**  $W + 0.25'' \times H + 0.25''$   
**CLEAR OPENING:**  $W - 2.25'' \times H - 1.125''$   
**DEGREE OF OPENING:**  $100^\circ$   
**CAM QTY:** NA Latch Side  
 NA Top/Bottom Side

NOTES:

- ① **FRAME:** Cold Rolled Steel 16 ga, Drywall Bead
- ② **DOOR:** Cold Rolled Steel, 16 ga
- ③ **FINISH:** White Powder Coat
- ④ **HINGE:** Concealed Pin Hinge
- ⑤ **LATCH:** Screwdriver Cam

PROPRIETARY AND CONFIDENTIAL: THE INFORMATION CONTAINED IN THIS DRAWING IS THE SOLE PROPERTY OF NYSTROM. ANY REPRODUCTION IN PART OR AS A WHOLE WITHOUT THE WRITTEN PERMISSION OF NYSTROM IS PROHIBITED. ©2020 NYSTROM, INC.

|   |  |  |                |              |          |
|---|--|--|----------------|--------------|----------|
| PROJECT:  |  |  |                |              |          |
| ARCHITECT:  |  |  |                |              |          |
| CONTRACTOR:   |  |  |                |              |          |
| QTY:  |  |  |                |              |          |
| PART#:  |  | RPC_   |                |              |          |
| <br>9300 73rd Avenue North<br>Minneapolis, MN 55428 |  | TITLE: Access Door, Non-rated,<br>W x H<br>CRS, Recess Dr, Plaster Flg |                |              |          |
|   |  | NAME   | DATE           | SIZE         | DWG. NO. |
| DRAWN   |  |  | A              | RP ShpDr     | -        |
| RELEASED  |  |  | WEIGHT: VARIES | SHEET 1 OF 2 |          |



B

B

A

A

|   |      |      |  |          |              |
|---|------|------|--|----------|--------------|
|   |      |      | TITLE: Access Door, Non-rated,<br>W x H<br>CRS, Recess Dr, Plaster Flg |          |              |
| 9300 73rd Avenue North<br>Minneapolis, MN 55428 |      |      | SIZE   | DWG. NO. | REV          |
| DRAWN   | NAME | DATE | A  | RP ShpDr | -            |
| RELEASED  |      |      | WEIGHT: Varies   |          | SHEET 2 OF 2 |