

8

7

6

5

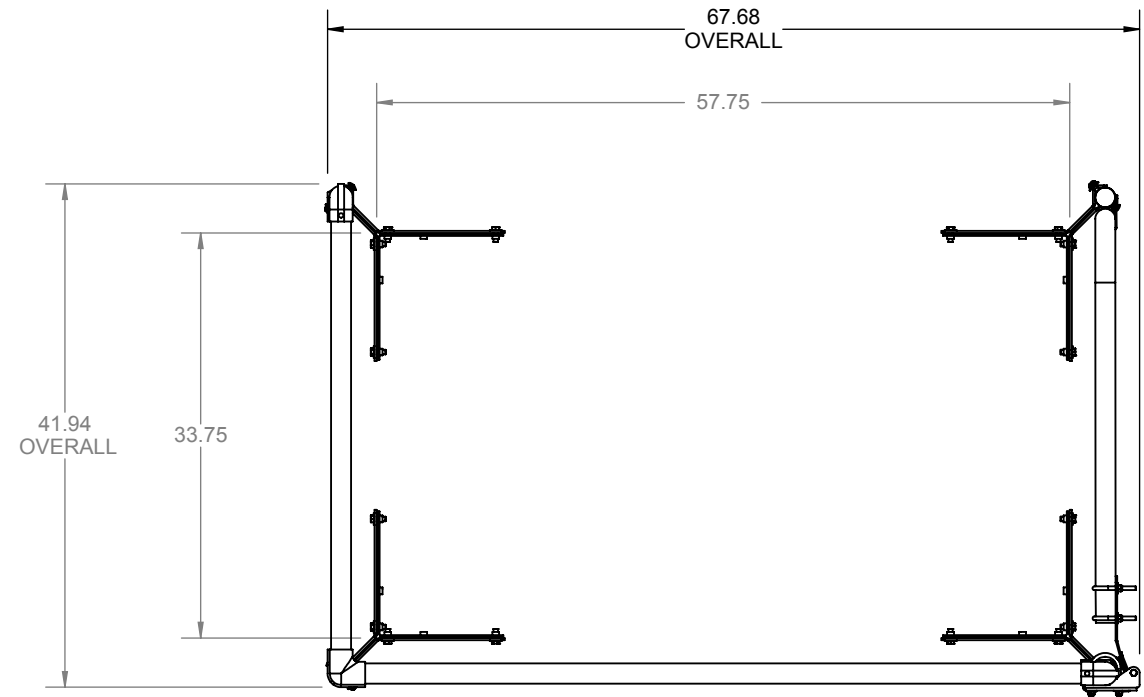
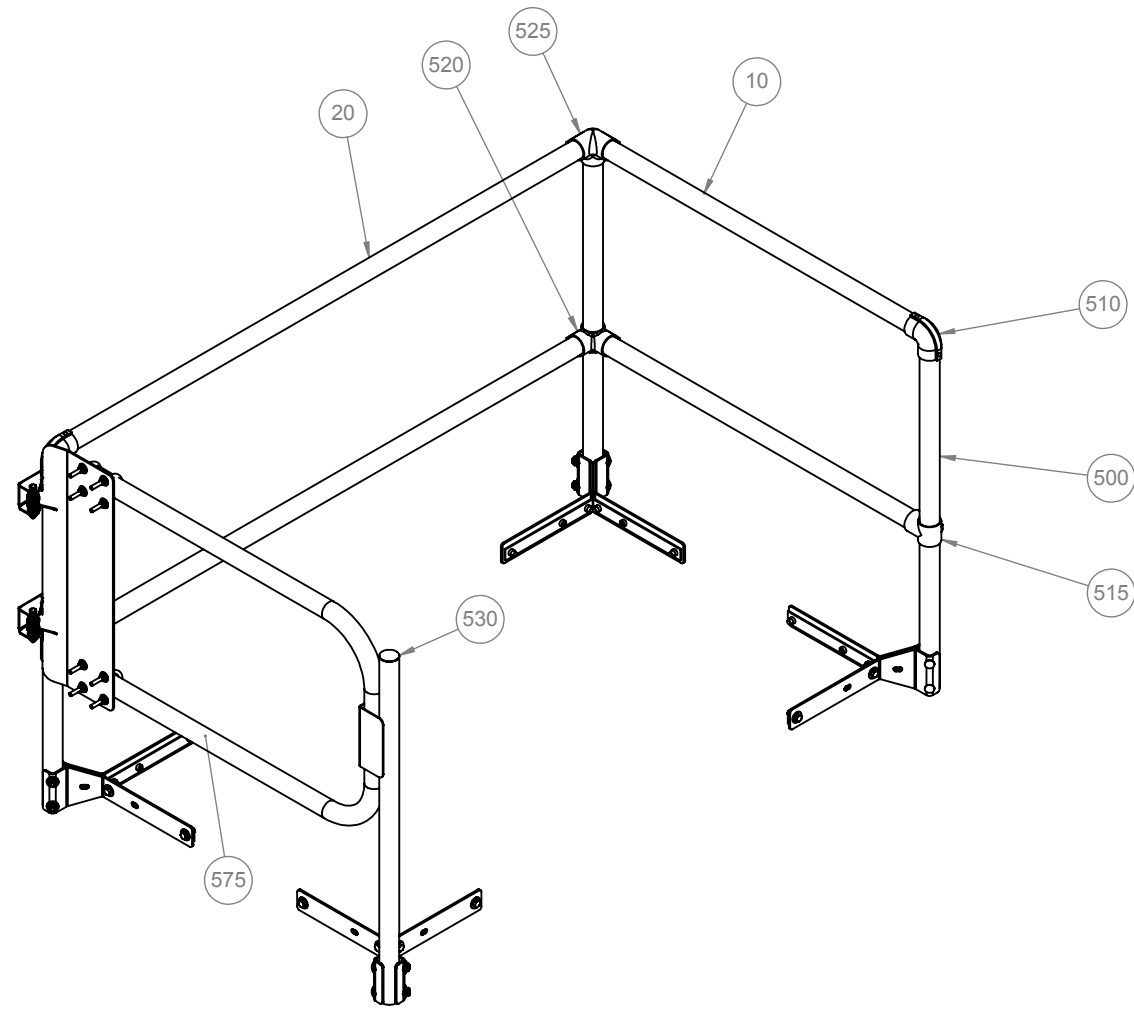
4

3

2

1

ITEM NO.	PART NUMBER	DESCRIPTION	QTY.
10	27496-37.75-Y	RAIL, 1-1/4" X 37.75L,	2
20	27496-61.50-Y	RAIL, 1-1/4" X 61.50L,	2
500	27180-A-Y	PKG, CORNER POST, ZPS,	4
510	27185	FTG, ELBOW,	2
515	27188	FTG, TEE,	2
520	27186	FTG, CROSS ELBOW,	1
525	27231	FTG, DBL TEE,	1
530	27189	FTG, END CAP	1
575	SRCA-GATE-30	GATE, 30,	1



**SPECIFICATIONS**

RAILS, POSTS: 6061 T6 ALUMINUM ALLOY 1-1/4" I.D. SCH 40

GATE: 1 1/4" TUBULAR ALUMINUM SELF CLOSING WITH COIL SPRING, ZINC PLATED

COUNTERFLASH MOUNTING BRACKETS: 3/16" ZINC PLATED STEEL FASTENED TO STEEL BACKING PLATE

BOLTS: HEX HEAD BOLTS 3/8"-16 x 3/4" GRADE 5 ZINC PLATED

RAILING FITTINGS AND PLUGS: MANUFACTURER'S STANDARD CAST WITH SET SCREW HOLD

FITS HATCH SIZES UP TO 30" X 54"

CERTIFICATIONS: MEETS OSHA 29 CFR 1910.23 GUARDING FOR OPENINGS REQUIREMENTS; SUPPORTS 200 LBS. FORCE

FINISH: SAFETY YELLOW POWDER COAT

**SRCAY30X54SG**

		TITLE:		Safety Railings for Roof Hatch 30x54, Side Exit, Sngl Door Alum, Safety Yellow Pwd, Self Closing Gate
		9300 73rd Avenue North Minneapolis, MN 55428	SIZE	
DRAWN	SJB	DATE	<b>B</b> SRCAY30X54SG	REV <b>A</b>
RELEASED	DWO	1/14/2019		
WEIGHT: Weight			SHEET 1 OF 1	

8

7

6

5

4

3

2

1