

8

7

6

5

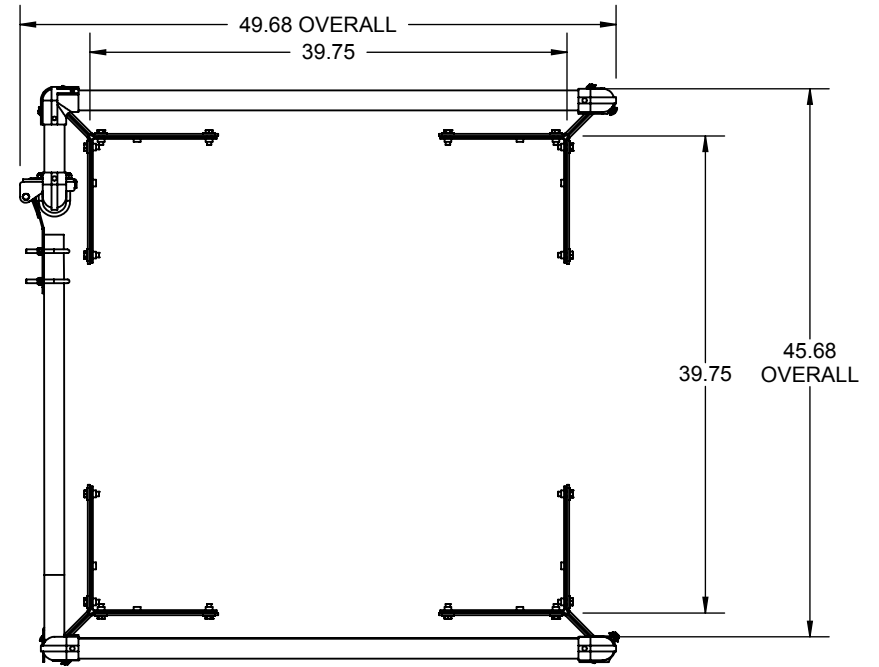
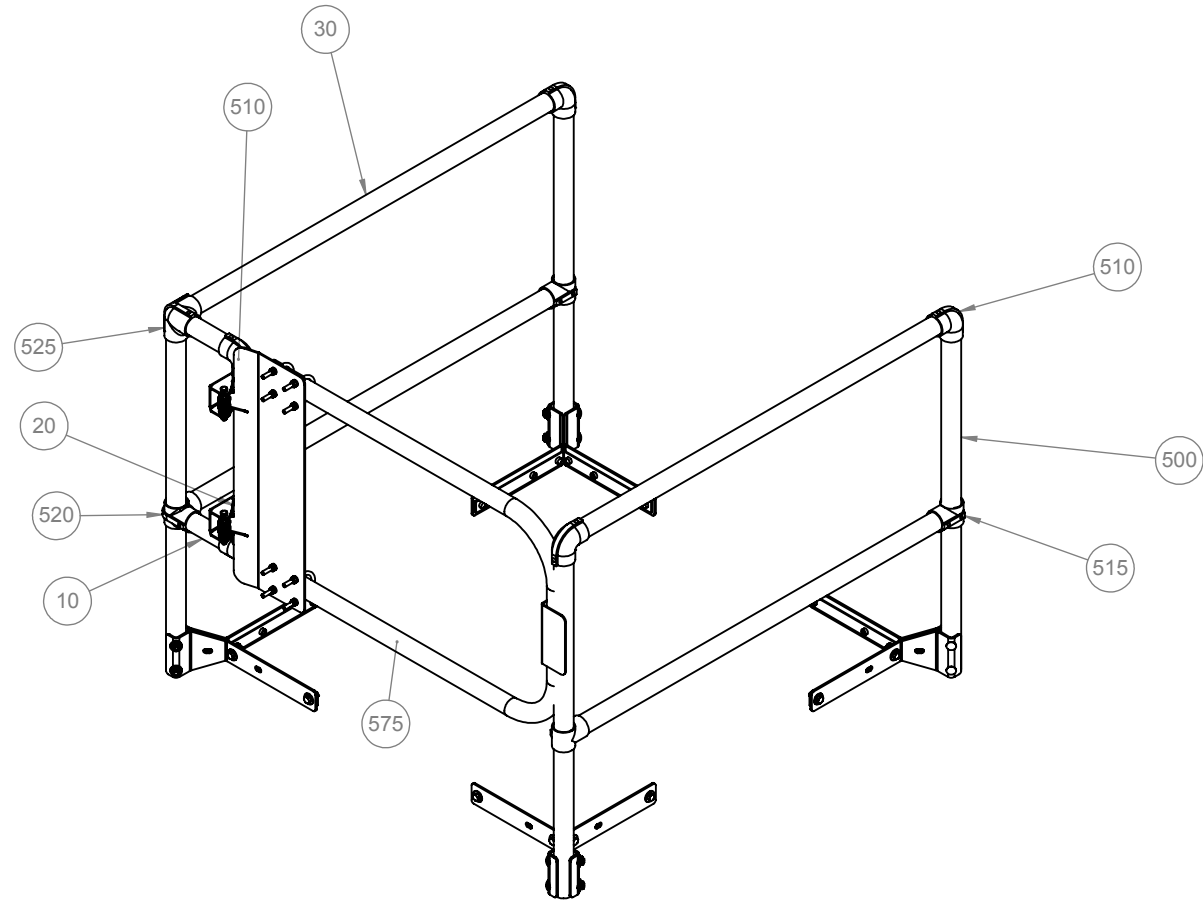
4

3

2

1

ITEM NO.	PART NUMBER	DESCRIPTION	QUANTITY
10	27496-6.00-Y	RAIL, 1-1/4" X 6.00L,	2
20	27496-18.00-Y	RAIL, 1-1/4" X 18.00L,	1
30	27496-43.75-Y	RAIL, 1-1/4" X 43.75L,	4
500	27180-A-Y	PKG, CORNER POST, ZPS,	4
510	27185	FTG, ELBOW,	5
515	27188	FTG, TEE,	3
520	27186	FTG, CROSS ELBOW,	1
525	27231	FTG, DBL TEE,	1
575	SRCA-GATE-30	GATE, 30,	1



SPECIFICATIONS

RAILS, POSTS: 6061 T6 ALUMINUM ALLOY 1 1/4" I.D. SCH 40

CHAIN: ZINC PLATED STEEL WITH CLIPS ON BOTH ENDS

COUNTERFLASH MOUNTING BRACKETS: 3/16" ZINC PLATED STEEL FASTENED TO STEEL BACKING PLATE

BOLTS: HEX HEAD BOLTS 3/8"-16 x 3/4" GRADE 5 ZINC PLATED

RAILING FITTINGS AND PLUGS: MANUFACTURER'S STANDARD CAST WITH SET SCREW HOLD

FITS HATCH SIZES UP TO 36" X 36"

CERTIFICATIONS: MEETS OSHA 29 CFR 1910.23 GUARDING FOR OPENINGS REQUIREMENTS; SUPPORTS 200 LBS. FORCE

FINISH: SAFETY YELLOW POWDER COAT

SRCAY36X36FG



9300 73rd Avenue North
Minneapolis, MN 55428

TITLE:
Safety Railings for Roof Hatch
36X36, Front Exit,
Alum, Safety Yellow Pwd, Gate

NAME	DATE	SIZE	DWG. NO.	REV
DRAWN SJB	TODAY	B	SRCAY36X36FG	A
RELEASED DWO	1/14/2019			

PROPRIETARY AND CONFIDENTIAL: THE INFORMATION CONTAINED IN THIS DRAWING IS THE SOLE PROPERTY OF NYSTROM. ANY REPRODUCTION IN PART OR AS A WHOLE WITHOUT THE WRITTEN PERMISSION OF NYSTROM IS PROHIBITED.

8

7

6

5

4

3

2

1

WEIGHT: Weight SHEET 1 OF 1