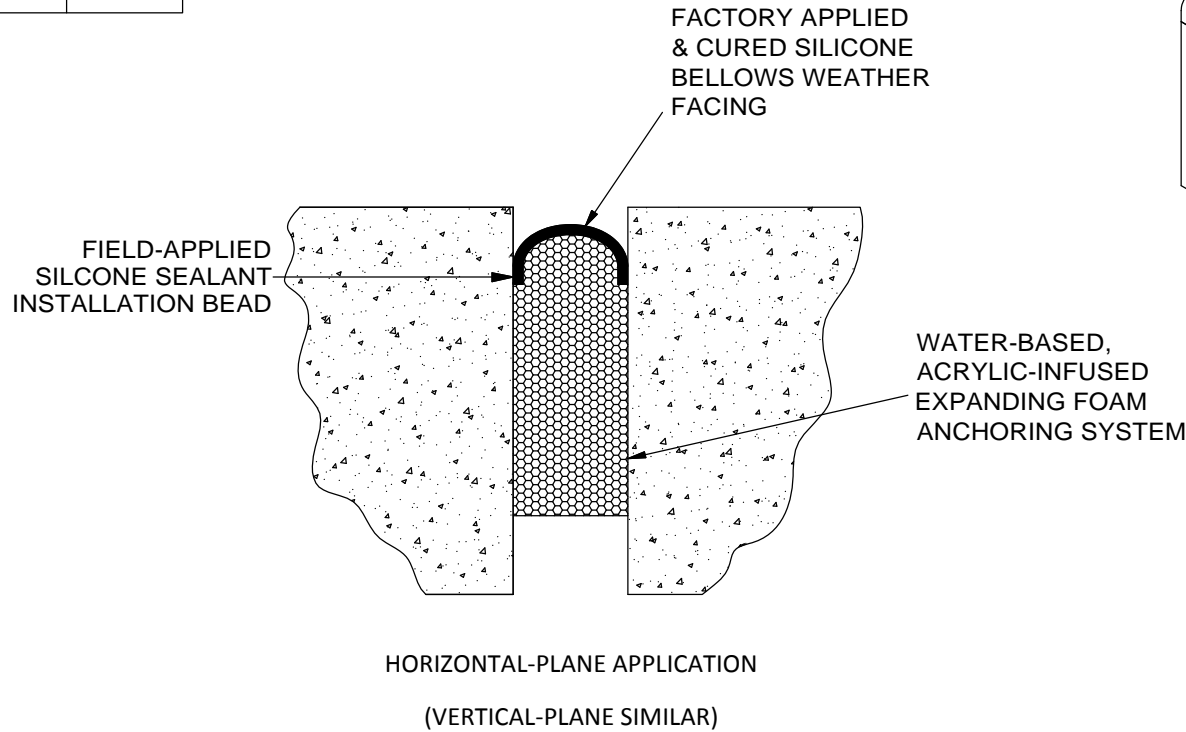
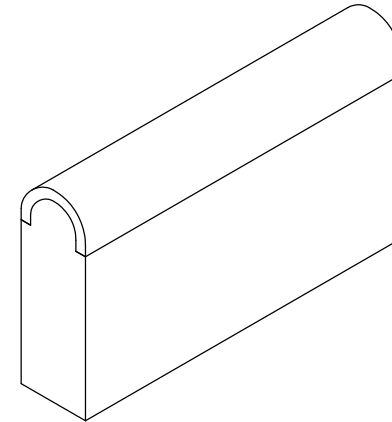


SER SERIES		
MODEL	JOINT NOMINAL	DEPTH
EJ-SER-050	1/2"	1 3/4"
EJ-SER-075	3/4"	1 3/4"
EJ-SER-100	1"	1 3/4"
EJ-SER-125	1 1/4"	1 3/4"



SER SERIES COLORS
Limestone
White
Beige
Light Gray
Black
Medium Bronze
Sandstone
Adobe Tan
Dusty Rose
Quarry Red
Charcoal
Colonial White

SER Product Notes

1. Silicone-coated, pre-compressed, primary seal for rapid installation into small joints in vertical and horizontal planes.
2. Joint movement capability is + 30% and - 50% (80% total) of nominal material size.

CUSTOMER:					
JOB REF:					
LOCATION:					
QTY:					
			TITLE:		
9300 73rd Avenue North Minneapolis, MN 55428			EJ-SER SERIES, EJ Seal, Int/Ext, Wall to Wall, Compression, Seismic, 10 FT Lengths		
	NAME	DATE	SIZE	DWG. NO.	REV
DRAWN	DKL	7/16/19	A	EJ-SER SERIES	A
RELEASED	GLN	7/16/19	WEIGHT:	SHEET 1 OF 1	