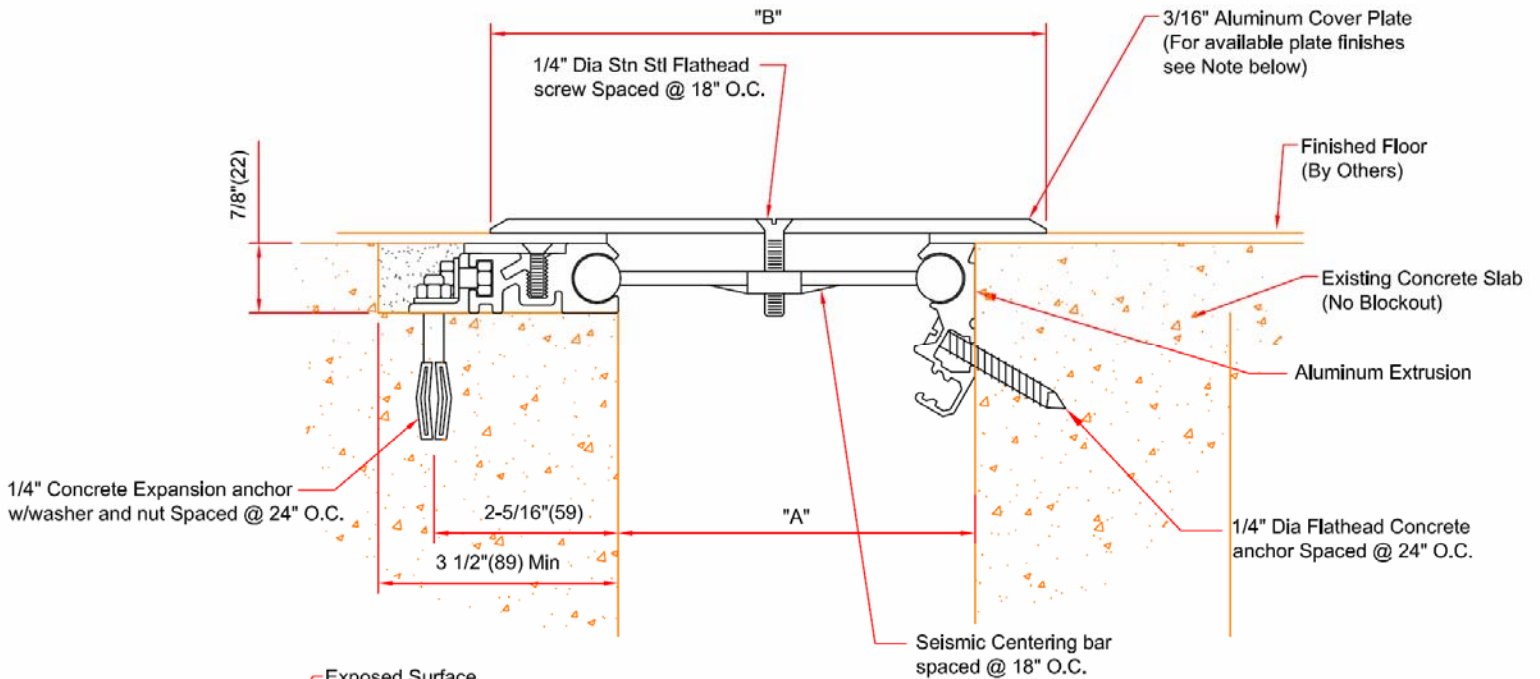


EJ-SFB Series

Expansion joint cover for floors

Floor to floor condition



EJ-SFB-400 THRU EJ-SFB-1800 DETAIL
FLOOR TO FLOOR CONDITION

Note: Exposed Surface

- For openings up to 6"
 - Plate supplied with grooved surface/mill finish
- For openings greater than 6"
 - Plate supplied with brush finish
 - Grooves optional for plates up to 24" in width

() - Denotes Millimeters

DIMENSION CHART					
Model	"A" @ Min.	"A" @ Mid	"A" @ Max.	"B"	Total Movement
EJ-SFB-400	1" (25)	4" (102)	6" (152)	6 1/2" (165)	5" (127)
EJ-SFB-600	1" (25)	6" (152)	9" (229)	9 1/2" (241)	8" (203)
EJ-SFB-800	1" (25)	8" (203)	12" (305)	12 1/2" (317)	11" (279)
EJ-SFB-1000	1" (25)	10" (254)	15" (381)	15 1/2" (394)	14" (356)
EJ-SFB-1200	1" (25)	12" (305)	18" (457)	18 1/2" (470)	17" (432)
EJ-SFB-1800	1" (25)	18" (457)	27" (686)	27 1/2" (699)	26" (660)

Note: Minimum And Maximum Values Are After Movement Occurs. Mid Point Value Is The Recommended Size Of Opening At Installation.



9300 73RD AVENUE NORTH
 MINNEAPOLIS, MN 55428

PH. (800) 547-2635
 WWW.NYSTROM.COM