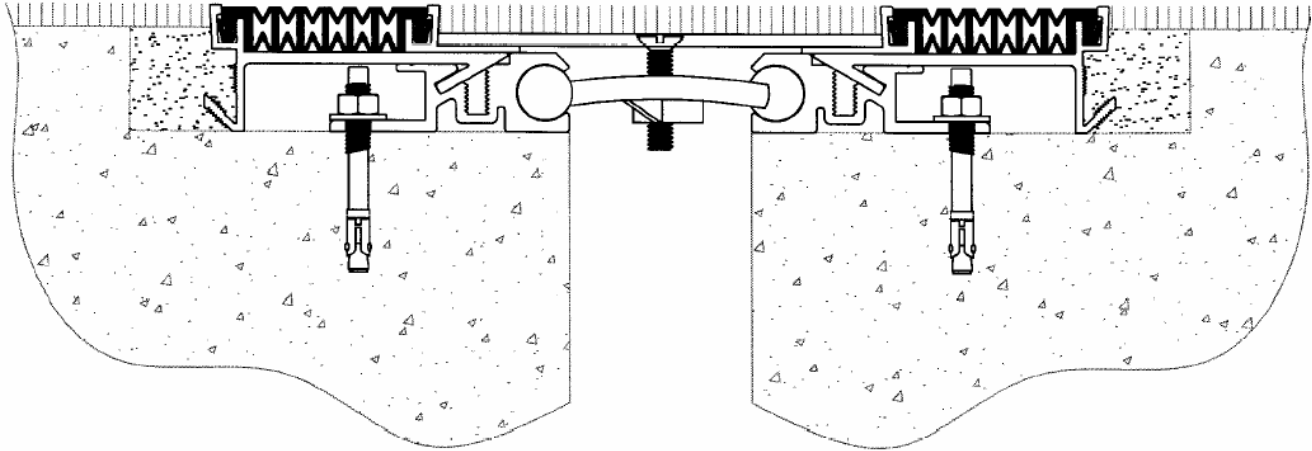


EJ-SFNB Series Installation Instructions



SeismaxPlus - Professional Series Horizontal Expansion Control Systems

The following installation procedure is very important and must be fully understood prior to beginning any work. To ensure proper installation and performance of expansion joint system the following actions must be completed by the installing contractor. Failure to do so will affect product warranty.

- 1) Carefully read and understand installation procedure. Contact Technical Service Department at for product assistance.
- 2) Inspect all shipments and materials for missing or damaged components and hardware. Contact Customer Service with order number and invoice for prompt assistance.
- 3) Inspect substrate or adjacent construction for acceptance before beginning work. Report unacceptable construction to the project manager for scheduled repair work.

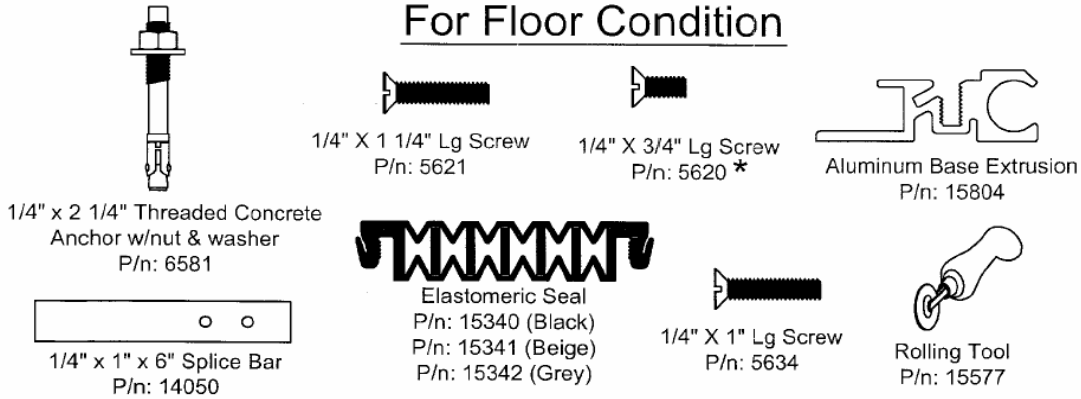


Free Phone: 800•547•2635
Free Fax: 800•317•8770

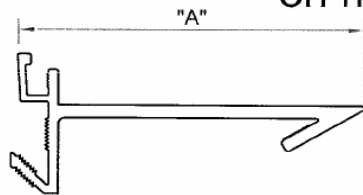
Right to site.

e-mail: info@nystrom.com
www.nystrom.com

Standard Components For Floor Condition

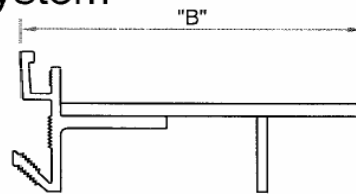


Components shown below vary in size depending on model of system



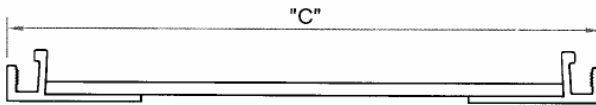
Aluminum Edge Extension
(Refer to Chart Below for sizes and P/n)

P/N	"A"
15805	3 1/4"
15806	4 1/4"
15807	5 1/4"



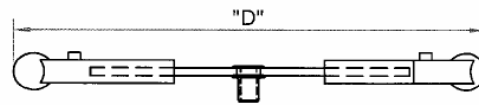
Manufactured Aluminum Edge Extension
(Refer to Chart Below for sizes and P/n)

P/N	"B"
15816	7 1/32"
15819	8 1/2"



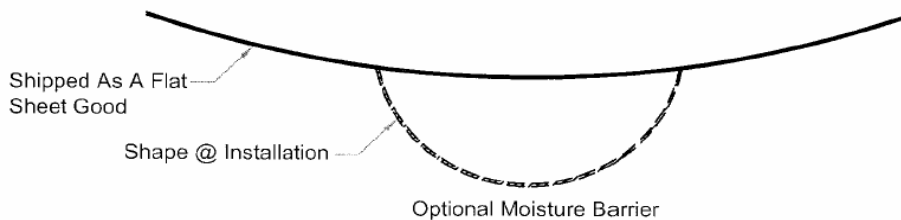
Aluminum Center Slide Plate
(Refer to Chart Below for sizes and P/n)

P/N	"C"
15621	5 5/8"
15623	7 5/8"
15625	11 5/8"
15627	13 5/8"
15629	17 5/8"
15812	19 5/8"
15814	29 1/8"
15817	38 1/8"



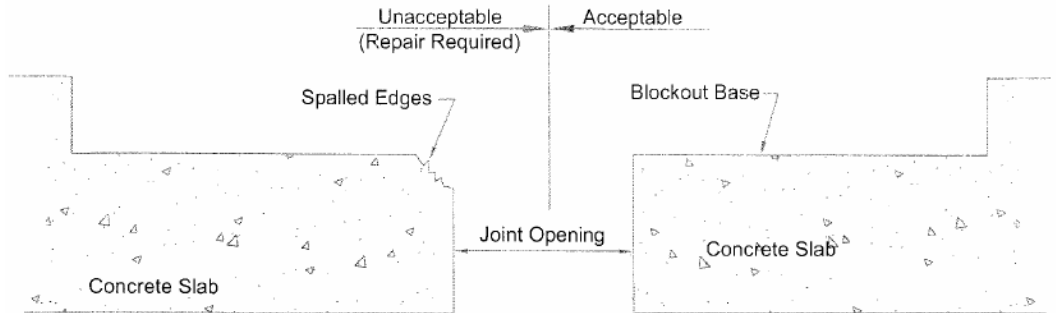
Seismic Self-Centering Bar
(Refer to Chart Below for sizes and P/n)

P/N	"D"
11089	7"
15642	7 3/8"
15643	12 3/8"
15630	18 3/8"
15630	18 3/8"
15631	22 3/8"
15644	32 3/8"
15604	38 3/8"

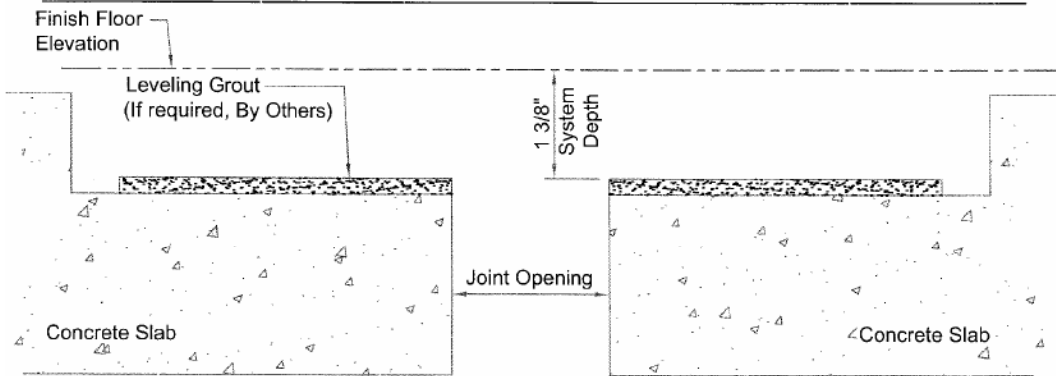


- Access Panels
- Floor Hatches
- Roof Hatches
- Smoke Vents
- Louvers
- Expansion Joint Covers

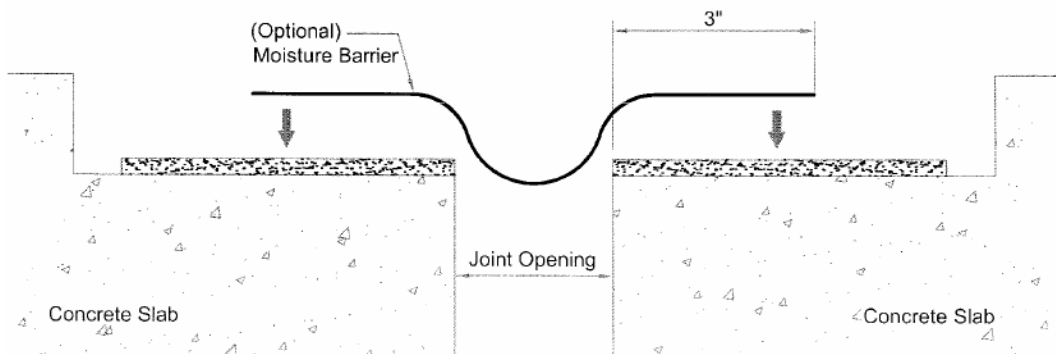
Installation Procedure



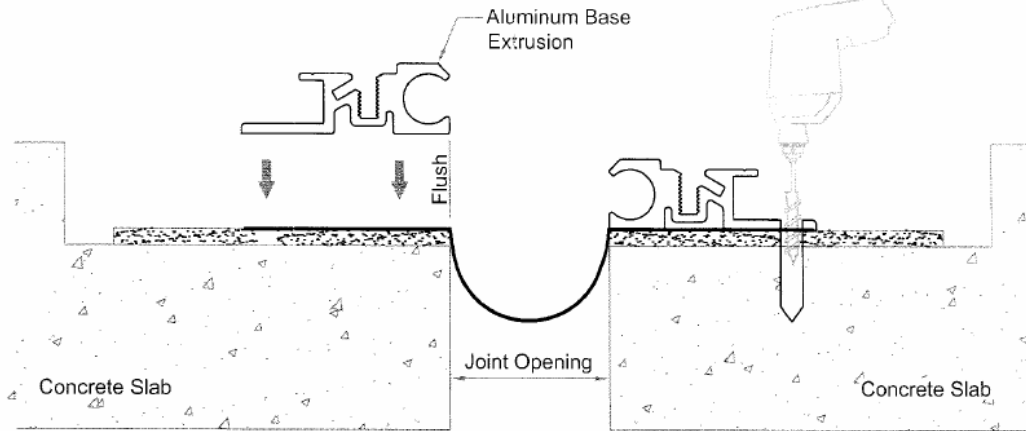
- 1 Prepare concrete block out for installation of Seismax Plus Expansion Control System. Deficiencies in block out base and spalled edges must be corrected prior to beginning work.



- 2 Prepare concrete blockout for installation of expansion joint. Variations in block out dimensions must be corrected prior to beginning work.
Note: Leveling grout usually not required if blockout was formed true and level to satisfy expansion joint system depth.

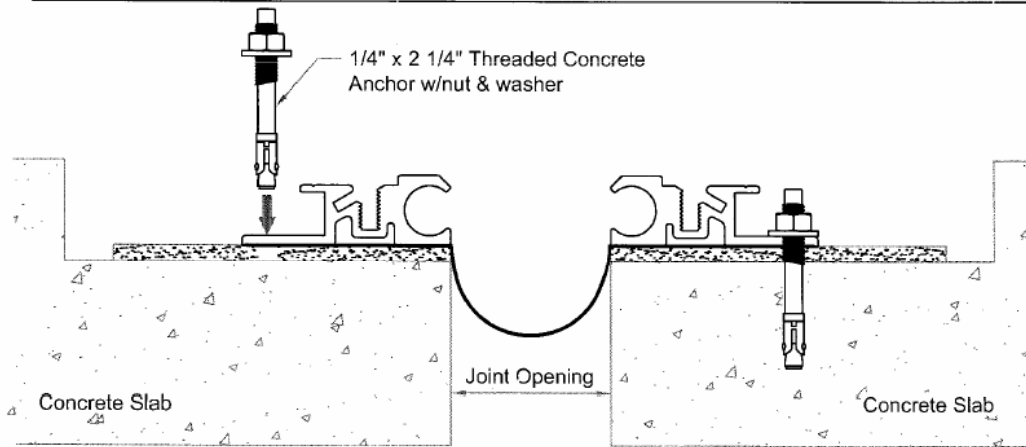


- 3 (Optional) Install Moisture Barrier. Maintain proper overlap onto blockout base and temporarily affix with Duct Tape.



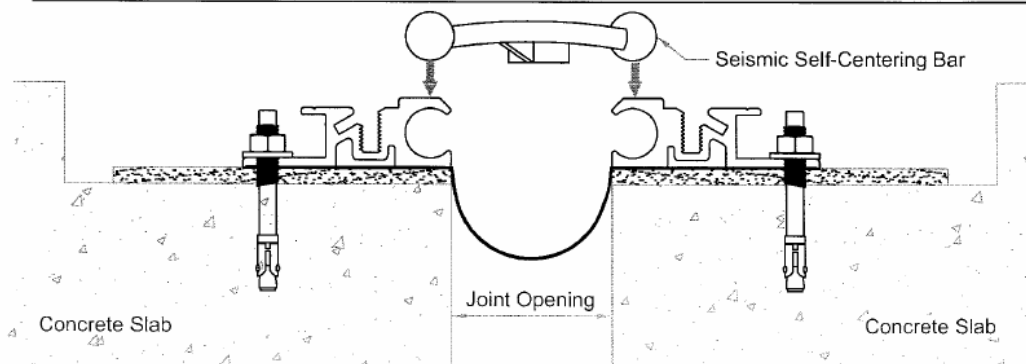
4

Position base member on blockout so cavity of base member is flush with edge of opening. Use base member as a template. With it's position fixed, drill hole for 1/4" x 2-1/4" concrete anchor to proper depth. Clean out holes using a Shop-Vac.



5

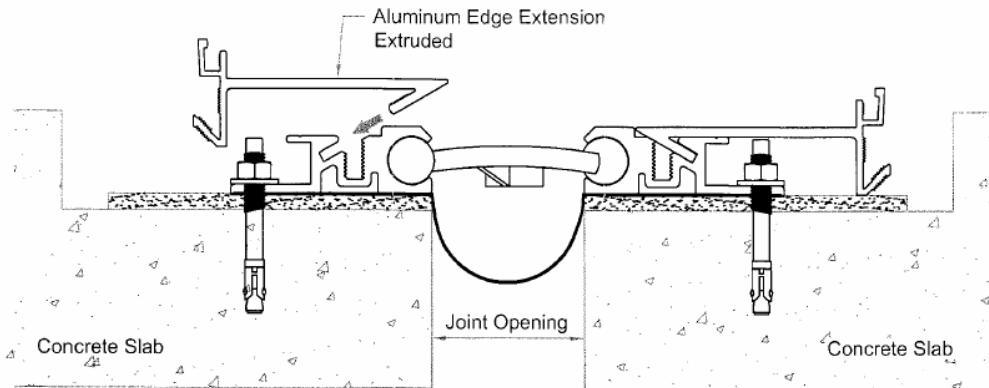
Follow Manufacturer's Recommendations for proper Anchor Installation. Remove all debris from Moisture Barrier by utilizing Shop-Vac. Caution: Do not install all Base Members prior to reviewing Step 6.



6

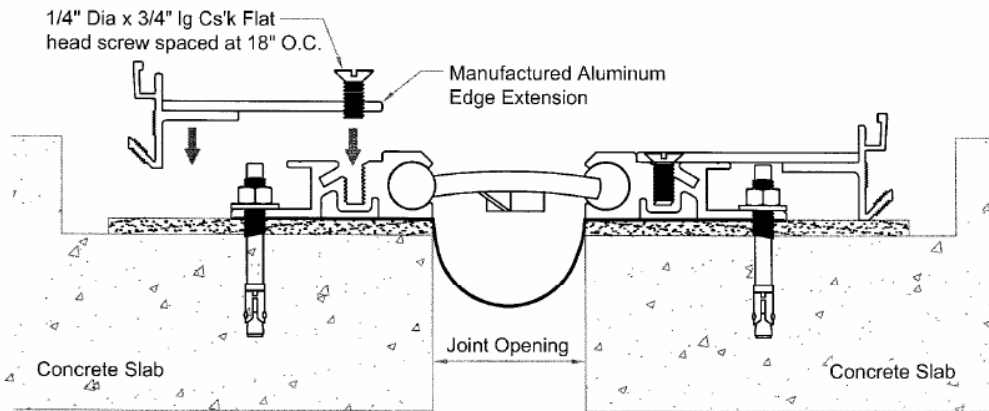
As work progresses with placement of base members, install self-centering bars by sliding the sphered ends of the bars into and through the circular cavities of the base members. Set at an approximate spacing of 18" O.C. Ensure that the "TOP" indicator is facing up and that all bars are installed with the same horizontal orientation.

- Access Panels
- Floor Hatches
- Roof Hatches
- Smoke Vents
- Louvers
- Expansion Joint Covers



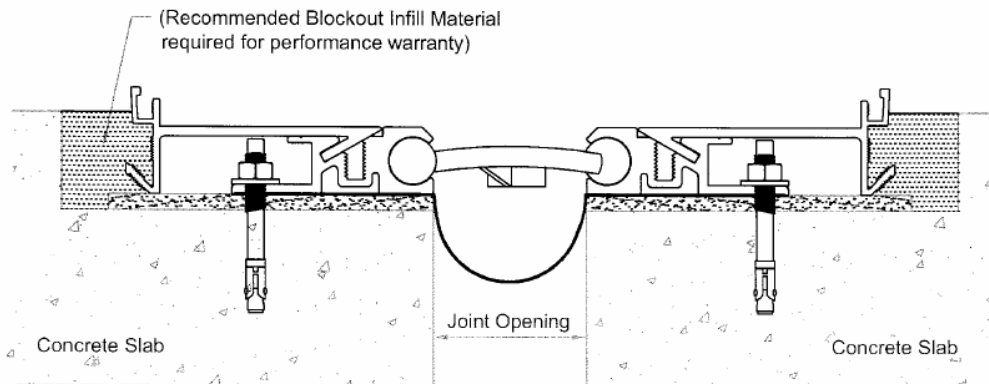
-200 thru -1200

7A Attach Aluminum Extension to Base Member. Aluminum Extension type depends on system size. Check Page 1 for proper Extension Profile.



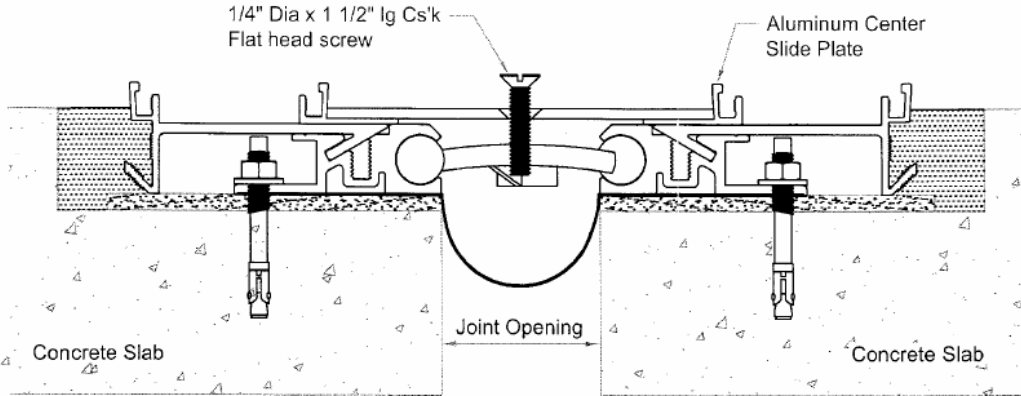
-1800 thru -2400

7B Attach Manufactured Aluminum Extension to Base Member. Manufactured Universal Aluminum Extension Type is for -1800 and -2400 system size. Check Page 1 for Proper Extension Profile.

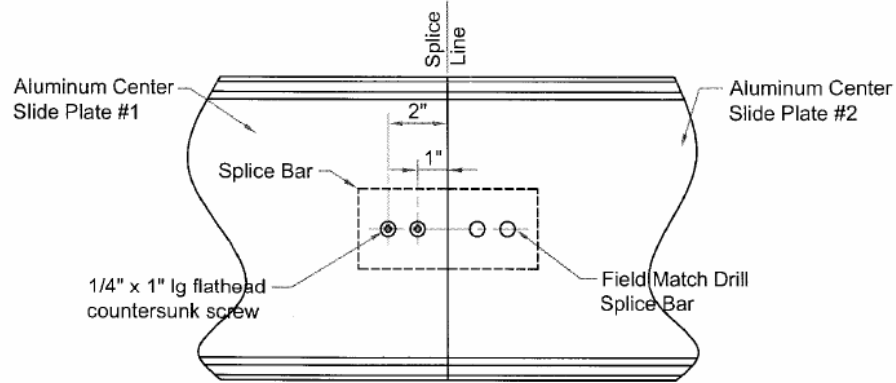


8 Fill blockout with High Quality Impact Resistant Non-shrink Cementitious Filler Material. Protect Aluminum profiles during placement of Material.

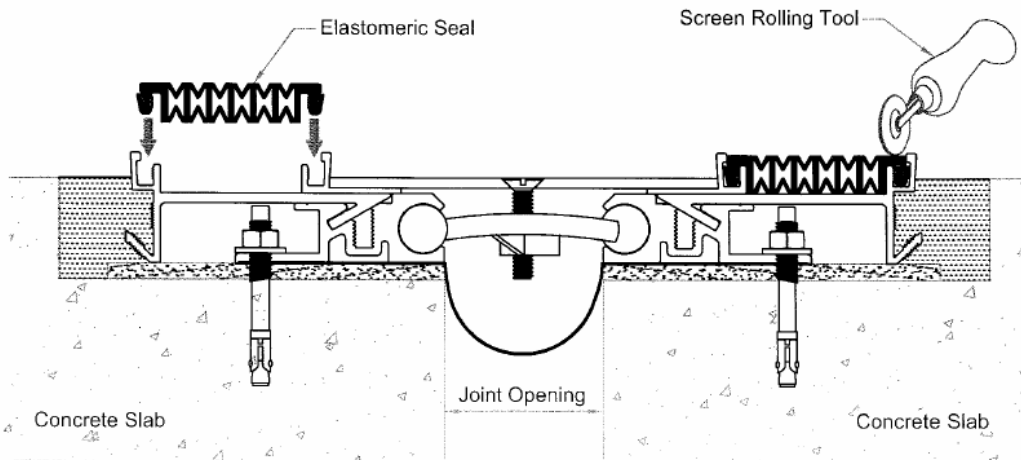
- Access Panels
- Floor Hatches
- Roof Hatches
- Smoke Vents
- Louvers
- Expansion Joint Covers



9 Position the Center Slide Plate over expansion opening, Align pre-drilled holes in slide plate with threaded insert in Self-Centering bars. Fasten with 1/4" X 1-1/2" Csk Flat Screw. Tighten to create measurable tension in the bar. Do Not Overtighten.



9A At aluminum center slide plate splice line attach one side of splice bar to the bottom side of aluminum center slide plate with 1/4" x 1" screws. After one side has been fastened, field match drill holes in splice bar utilizing a .228" dia drill bit allowing the aluminum center slide plate as a template. After splice bar has been field drilled install 1/4" x 1" screws to fasten splice bar to aluminum center slide plate



10 Position Seal Lug Over the Extrusion Cavity and Insert Lug into Cavity Using Thumb Pressure for Initial Insertion. Once Elastomeric Seal is Inserted, Run Along the Top of Lug with a Screen Rolling Tool to Ensure Complete Lug Insertion.

- Access Panels
- Floor Hatches
- Roof Hatches
- Smoke Vents
- Louvers
- Expansion Joint Covers

9300 73rd Ave N.
Brooklyn Park, MN 55428

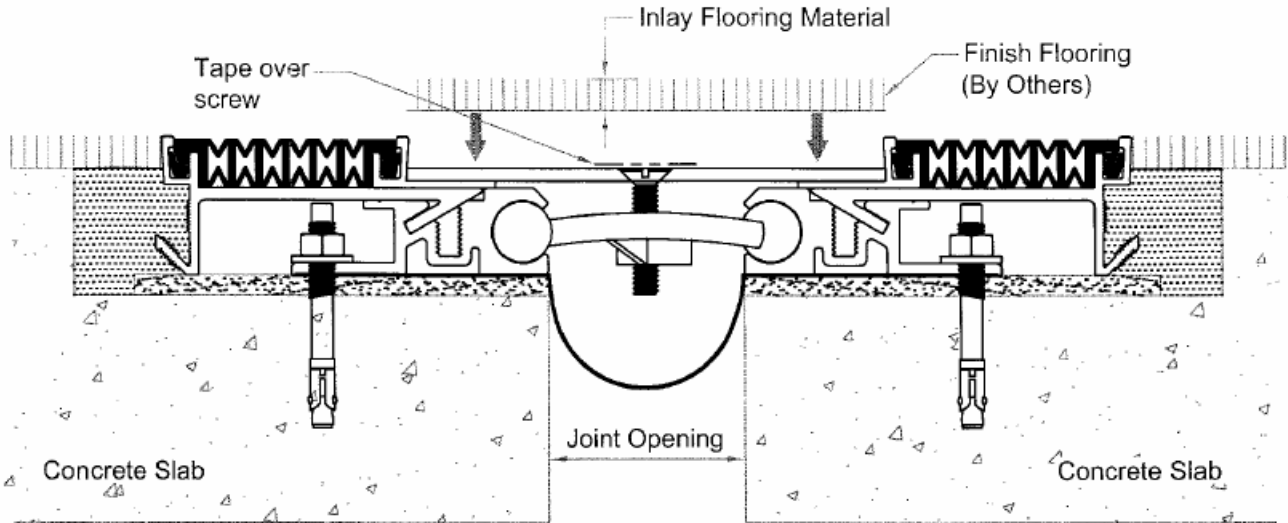
Free Phone: 800•547•2635
Free Fax: 800•317•8770



Right to site.

Direct Phone: 763•488•9200
Direct Fax: 763•488•9201

e-mail: info@nystrom.com
www.nystrom.com



11

Install Flooring Material. Ensure Flush Installation with Top of Expansion Joint System.

Caution: Contact Flooring Manufacturer to Discuss Product Application and Procedure for Proper Installation. Allowable thickness of Inlay Flooring Material varies by system sizes.