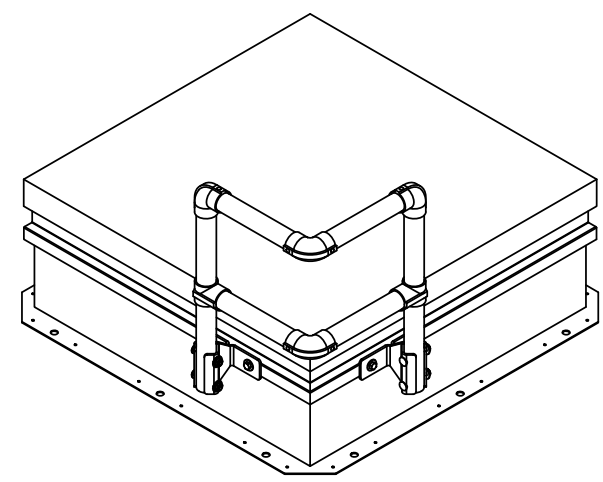
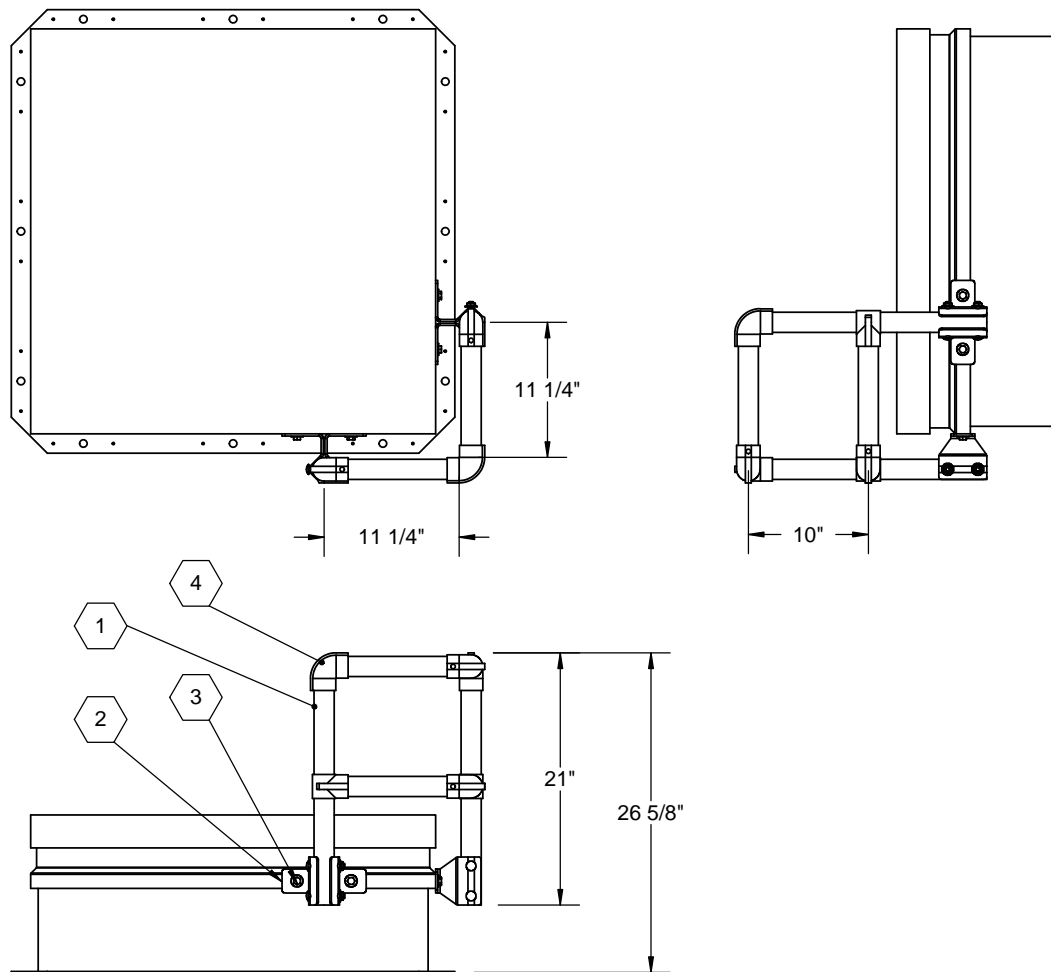


B

B




A

A

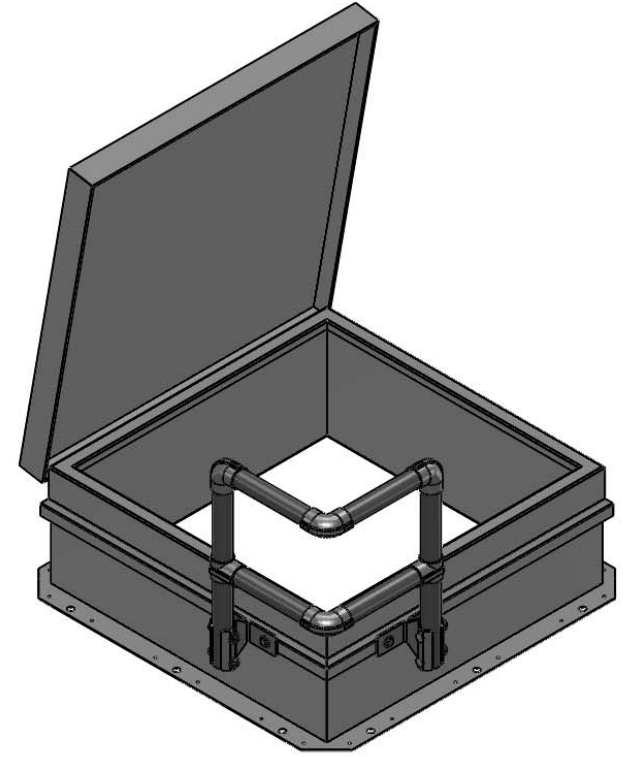
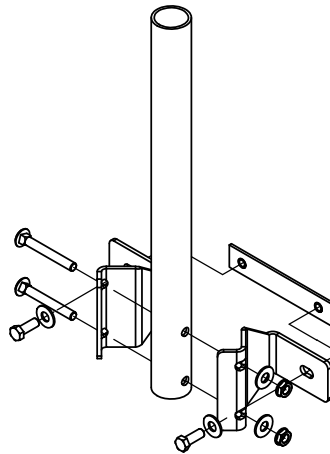
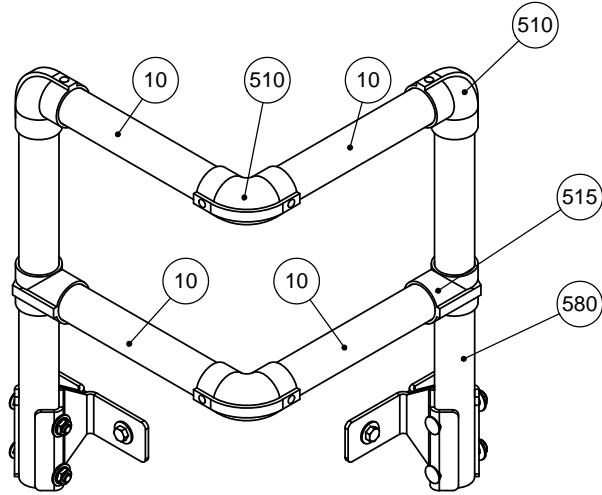
**SPECIFICATIONS**

- ① **RAILS, POSTS:** GALVANIZED PIPE 1 1/4" I.D. SCH 40 ASTM A53 SEAMED STEEL
- ② **COUNTERFLASH MOUNTING BRACKETS:** 3/16" ZINC PLATED STEEL FASTENED TO STEEL BACKING PLATE
- ③ **BOLTS:** HEX HEAD BOLTS 3/8"-16 x 3/4" GRADE 5 ZINC PLATED
- ④ **RAILING FITTINGS AND PLUGS:** MANUFACTURER'S STANDARD CAST WITH SET SCREW HOLD
- 5. NOT FOR USE ON ROOF HATCHES WITHOUT COUNTERFLASHING. CORNER GRABS SIZE AND TOP RAIL LOCATION BASED ON STANDARD ROOF HATCHES.

PROPRIETARY AND CONFIDENTIAL: THE INFORMATION CONTAINED IN THIS DRAWING IS THE SOLE PROPERTY OF NYSTROM. ANY REPRODUCTION IN PART OR AS A WHOLE WITHOUT THE WRITTEN PERMISSION OF NYSTROM IS PROHIBITED.

PROJECT:				
ARCHITECT:				
CONTRACTOR:				
QTY:				
PART#:		<b>SGBG</b>		
		TITLE: Safety Grab Bar For Roof Hatch Steel, Galvanized		
9300 73rd Avenue North Minneapolis, MN 55428				
NAME	DATE	SIZE	DWG. NO.	REV
DRAWN MDS	06/18/12	A	SGBG	A
RELEASED PGE	06/12/13	WEIGHT: 20.57lbs	SHEET 1 OF 2	

ITEM NO.	PART NUMBER	DESCRIPTION	QTY.
10	27258-10.00	RAIL, 1-1/4" X 10.00L,	4
510	27185	FTG, ELBOW,	4
515	27188	FTG, TEE,	2
580	27349-CG	PKG, SIDE POST, GALV, NO FTG.	2



( ROOF HATCH SHOWN FOR ILLUSTRATIVE PURPOSES ONLY)

**INSTALLATION NOTES:**

1. TO DRILL HOLES IN COUNTERFLASHING TO MOUNT CORNER GRAB, TEMPORARILY ASSEMBLE THE CORNER BRAB BRACKETS AND MARK MOUNTING HOLES ON EACH CORNER. DRILL 1/2" DIAMETER HOLES THROUGH COUNTERFLASHING OF CURB.
2. REFERENCE MANUFACTURING INSTALLATION INSTRUCTIONS FOR FURTHER DETAILS.

PROPRIETARY AND CONFIDENTIAL: THE INFORMATION CONTAINED IN THIS DRAWING IS THE SOLE PROPERTY OF NYSTROM. ANY REPRODUCTION IN PART OR AS A WHOLE WITHOUT THE WRITTEN PERMISSION OF NYSTROM IS PROHIBITED.

				TITLE: Safety Grab Bar For Roof Hatch Steel, Galvanized	
9300 73rd Avenue North Minneapolis, MN 55428					
	NAME	DATE	SIZE	DWG. NO.	REV
DRAWN	MDS	06/18/12	A	SGBG	A
RELEASED	PGE	06/12/13	WEIGHT: 20.57lbs		SHEET 2 OF 2